

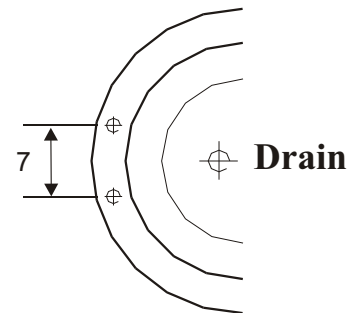
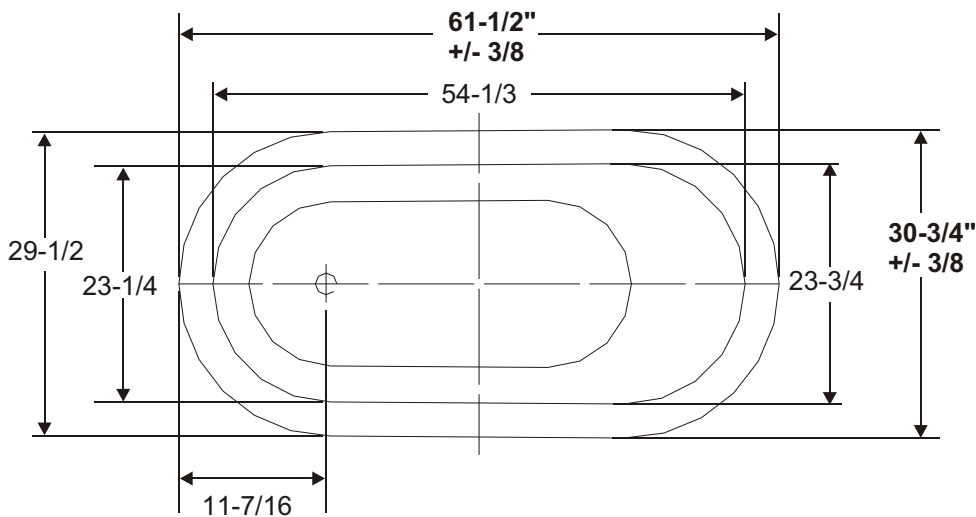


Elizabethan Classics

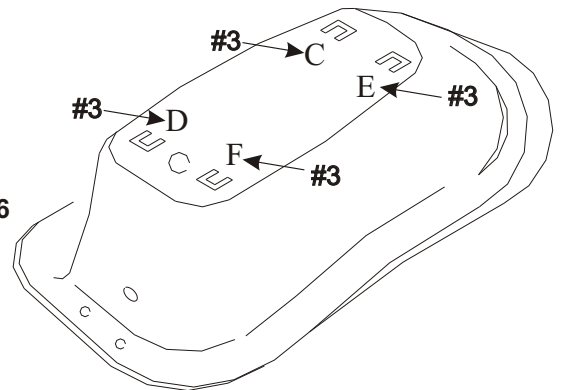
Specification for EC SL1RM

Hole	Diameter
Drain	2" +/- 1/8
Over Flow	2-1/4" +/- 3/16
Faucet	1-3/8" +/- 1/8
Capacity	45.705 US Gallon
Weight of Tub	269 lbs
Weight of Tub filled with water	649.6 lbs

Top View



FSMS Feet Placement Diagram



Side View

