

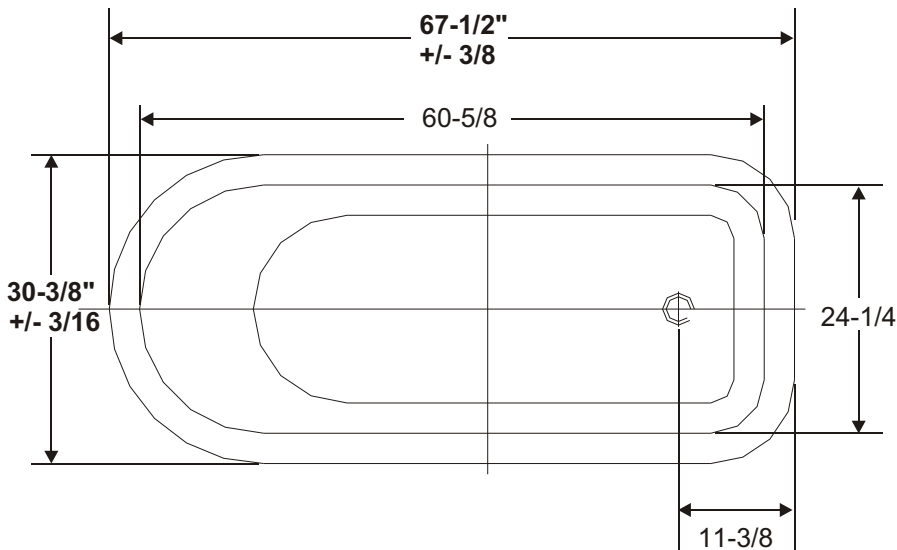


Elizabethan Classics

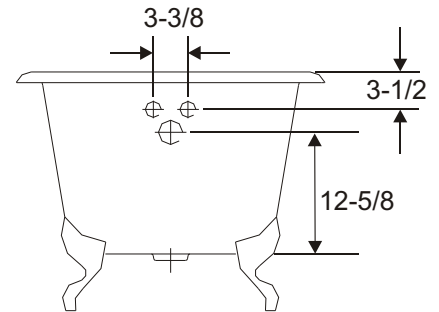
Specification for ECRT67TW

Hole	Diameter
Drain	2" +/- 1/8
Over Flow	2-1/4" +/- 3/16
Faucet	1-3/8" +/- 1/8
Capacity	47.026 US Gallon
Weight of Tub	330.69 lbs
Weight of Tub filled with water	722.29 lbs

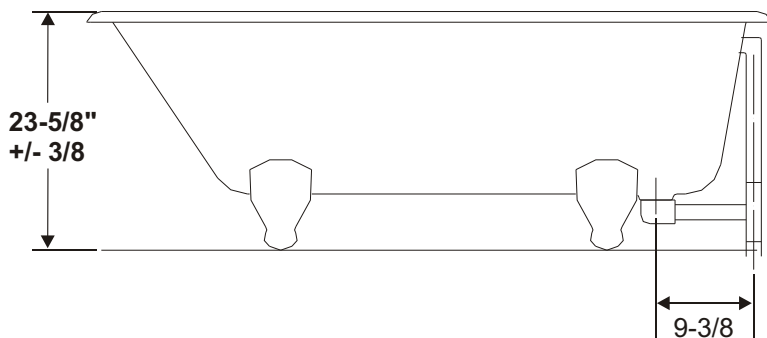
Top View



End View



Side View



FSMR Feet Placement Diagram

