

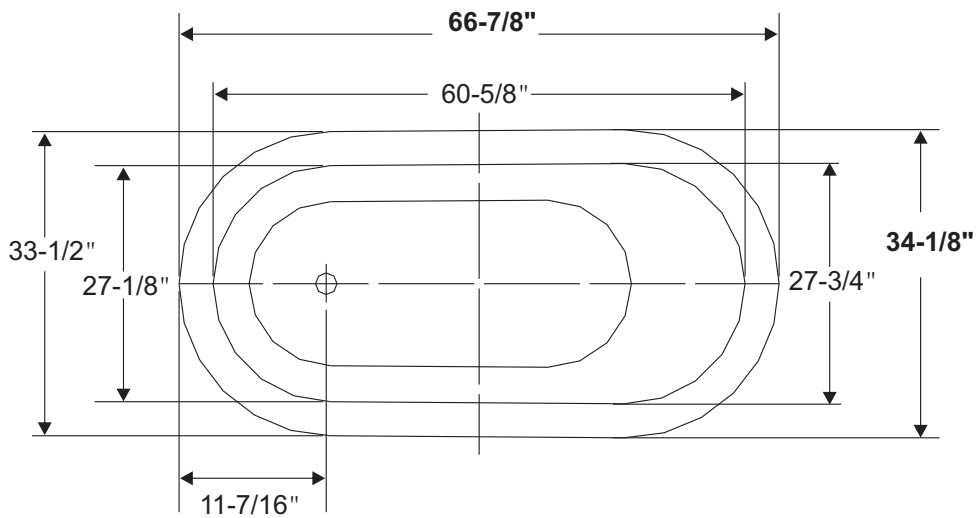


*Elizabethan  
Classics*

## **Specification for ECGDSLNOHOLE**

Hole	Diameter
Drain	2" +/- 1/8
Over Flow	2-1/4" +/- 3/16
Faucet	-----
Capacity	55.7 US Gallon
Weight of Tub	310 lbs
Weight of Tub filled with water	774 lbs
Bathing well	48-7/8" X 22-1/4"

**Top View**



**FSMS Feet Placement Diagram**

