

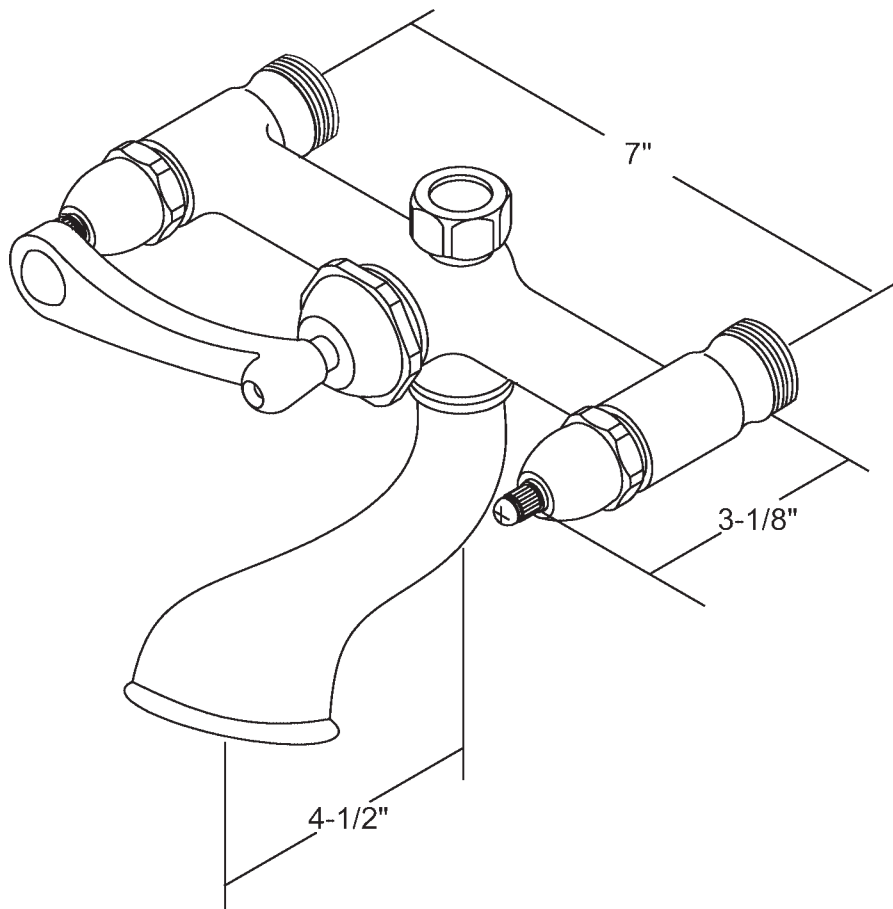


Specification for **RM11 - RM15**

For Tub-Rim Mount Only
1/4" Turn Washerless Cartridges

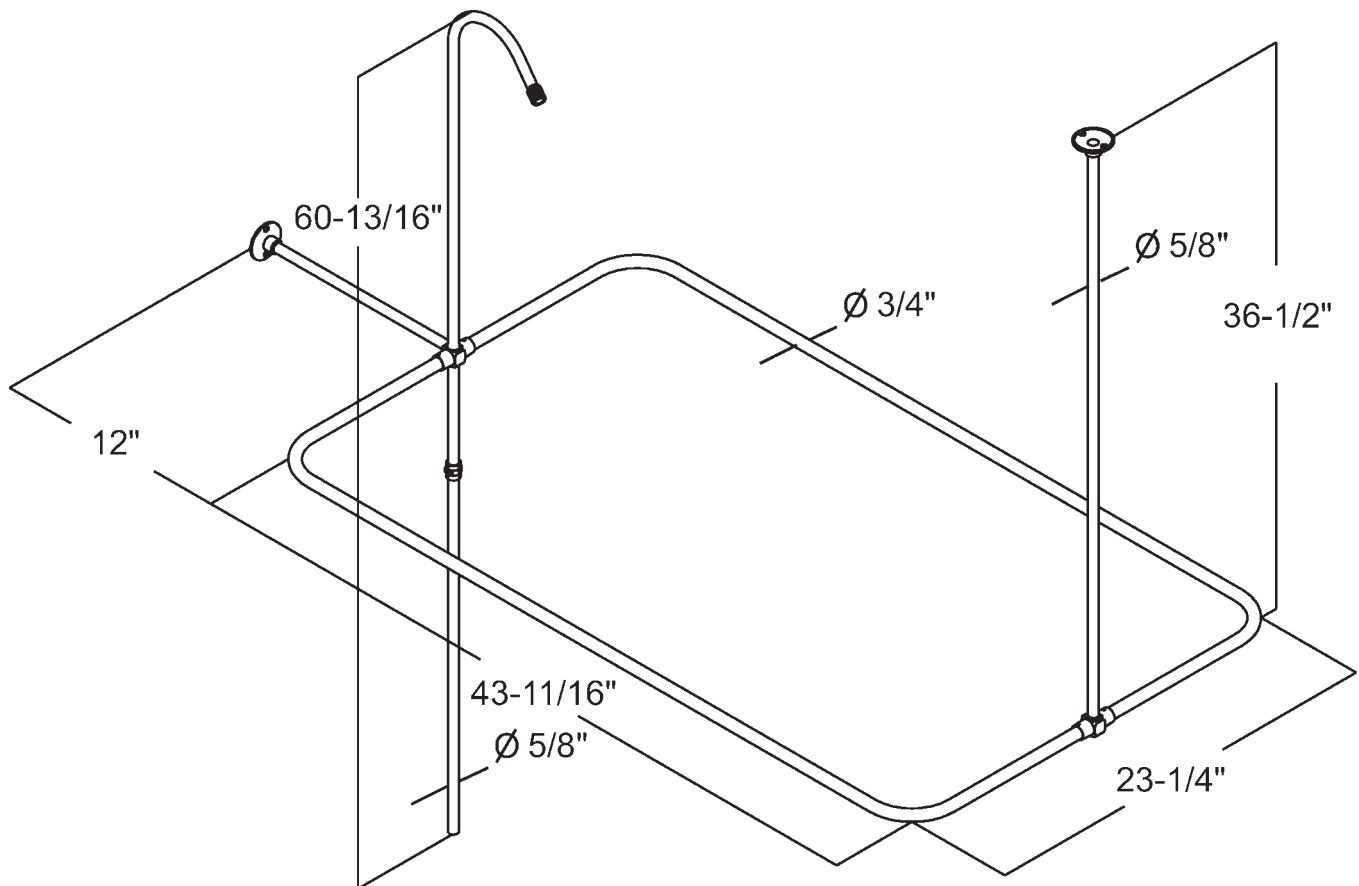
Flow Rate : 6 GPM @ 60 PSI

Inlets: 1/2" IPS





Specification for RM11 - RM15 (Cont.)





Specification for RM11 - RM15 (Cont.)

