

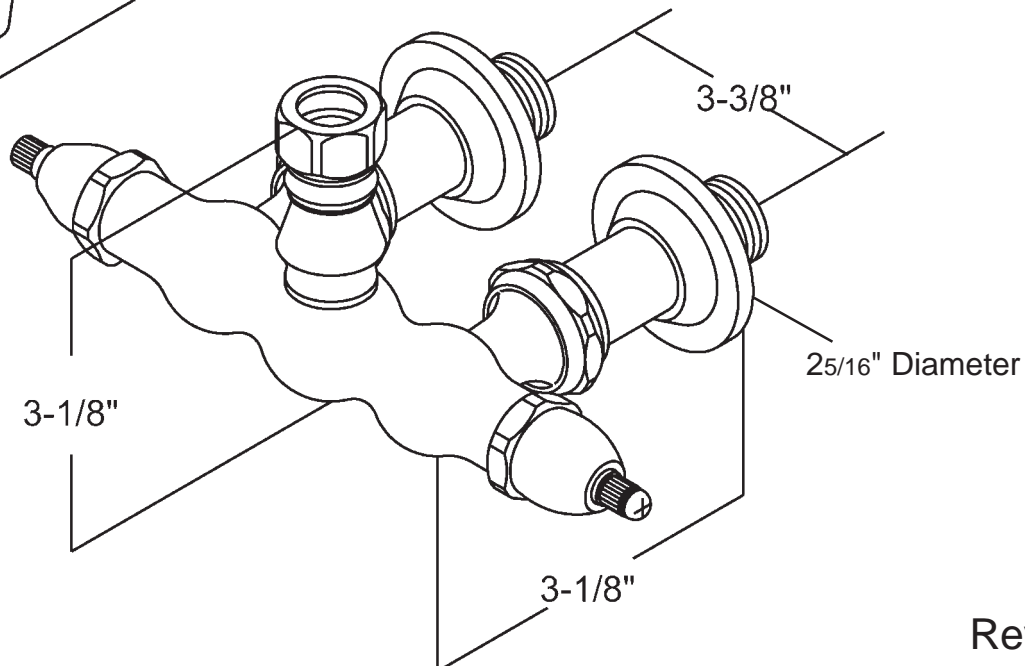
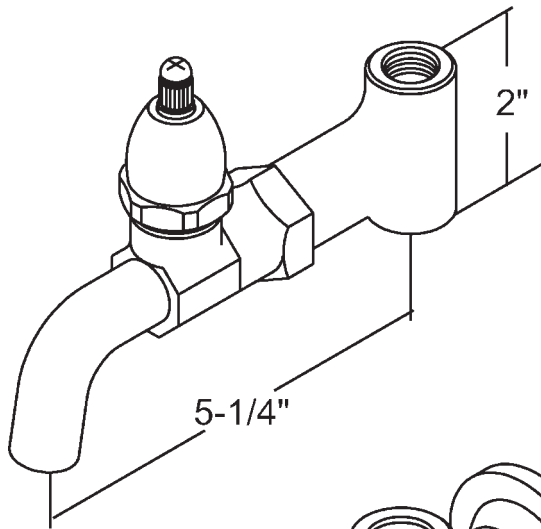
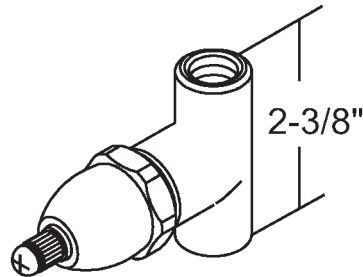


# Specification for **TW27 - TW29**

Tubwall Mount  
1/4" Turn Washerless Cartridges

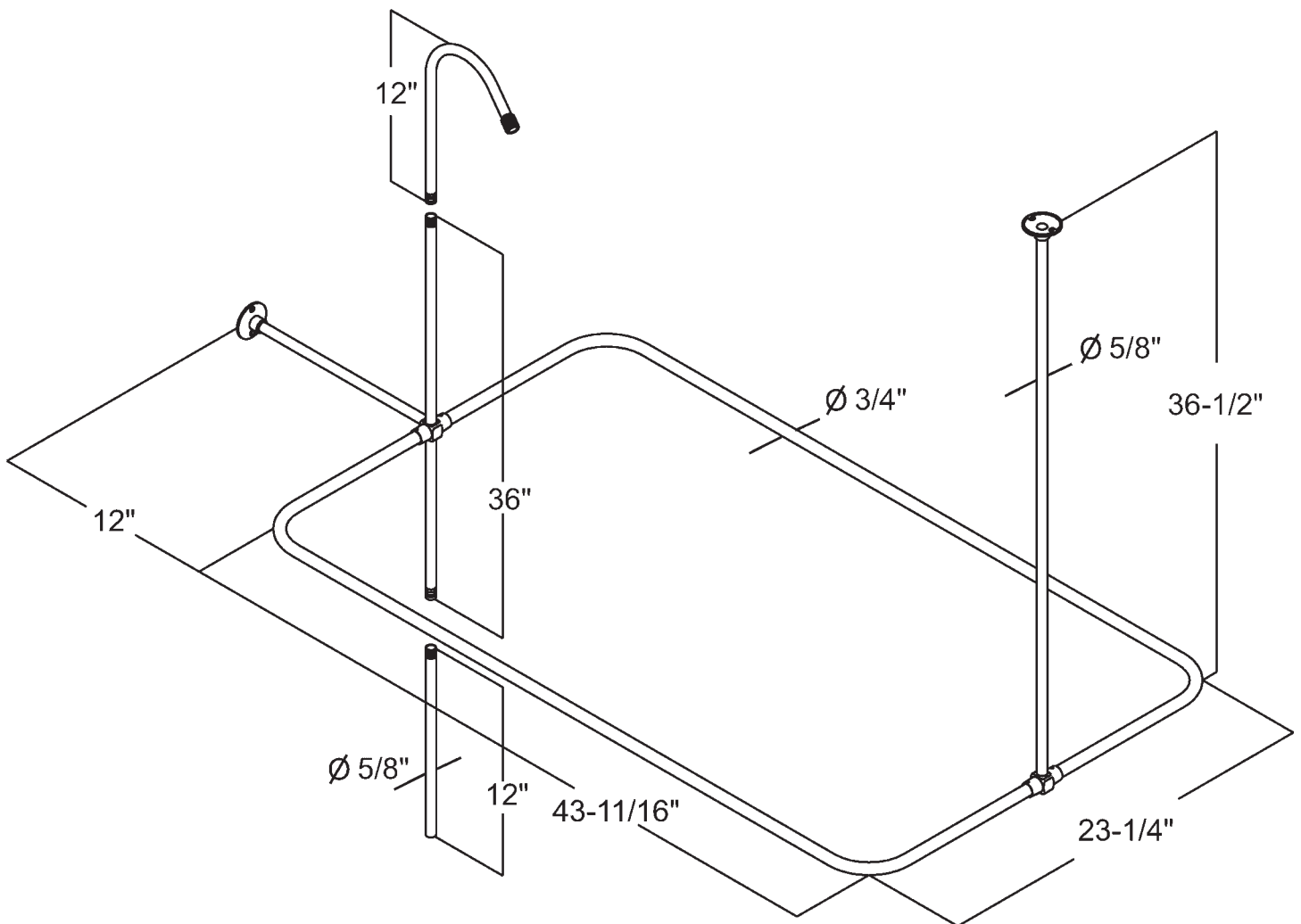
Tub Filler Flow Rate :  
6.0 GPM @ 60 PSI

Inlets: 1" OD  
Total Thread Length: 1 15/16"  
Thread Length w/Esc: 1 3/8"





# Specification for TW27 - TW29 (Cont.)





# Specification for **TW27 - TW29** (Cont.)

