

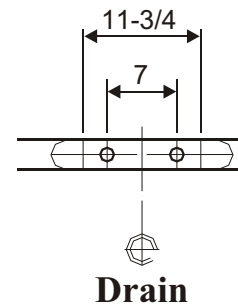
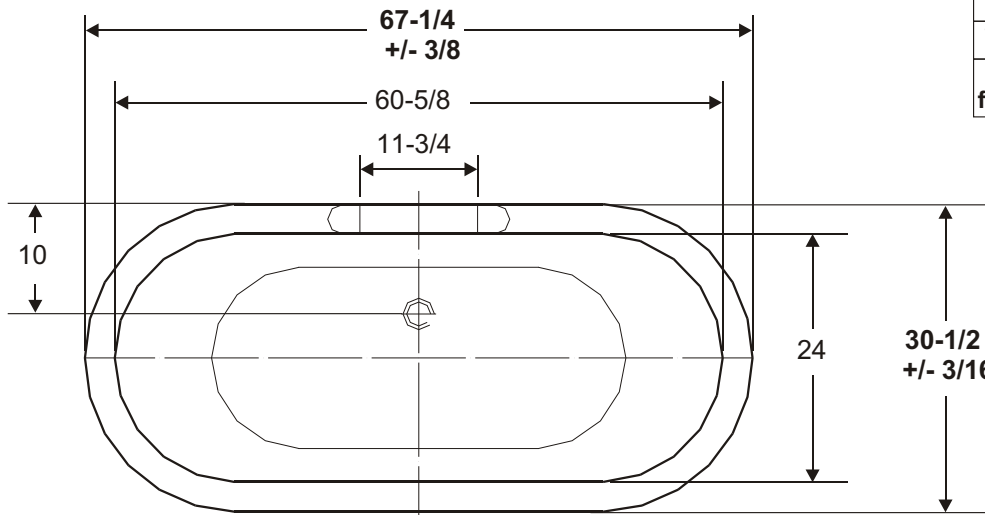


# Elizabethan Classics

## Specification for ECDUA1RM

Hole	Diameter
Drain	2" +/- 1/8
Over Flow	2-1/4" +/- 3/16
Faucet	1-3/8" +/- 1/8
Capacity	55.480 US Gallon
Weight of Tub	313.05 lbs
Weight of Tub filled with water	775.05 lbs

Top View



FLGD Feet Placement Diagram

End View

