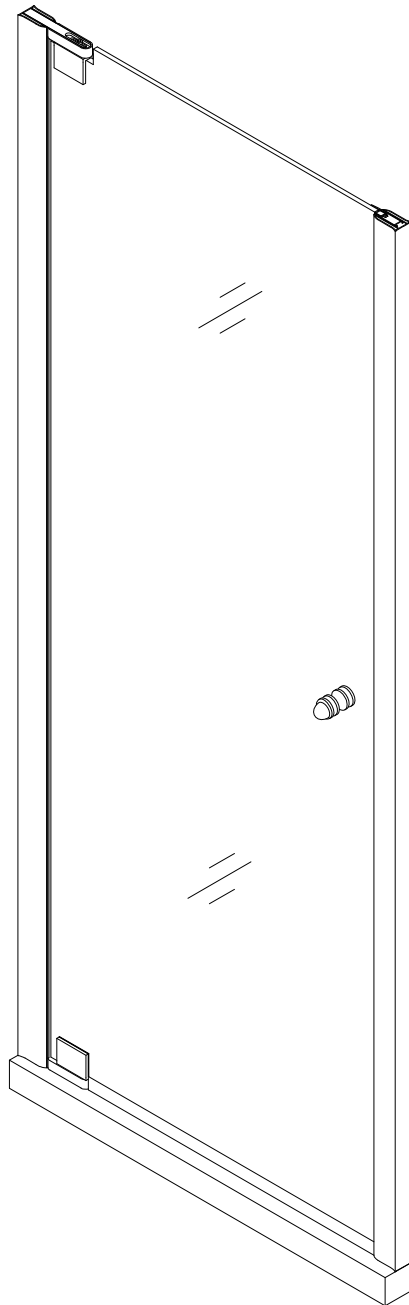




Elegance Shower Door Installation Instructions

IMPORTANT

Please read carefully the following instructions before installing your shower door. If you have any questions on this shower door installation - please call our technical support specialists Monday to Friday 9:00AM – 5:00PM EST at 1-866-731-8378 Option 3 or e-mail our technical support group at support@BathAuthority.com

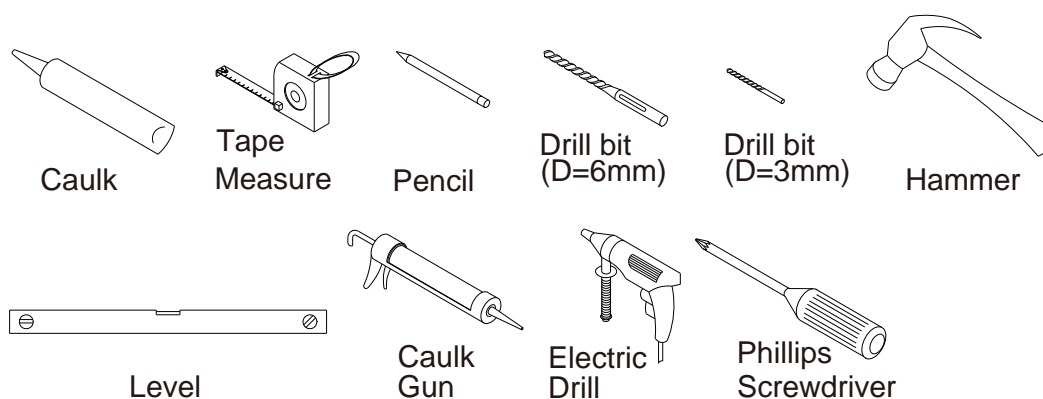


Our product may have changes without prior notice

Preparation

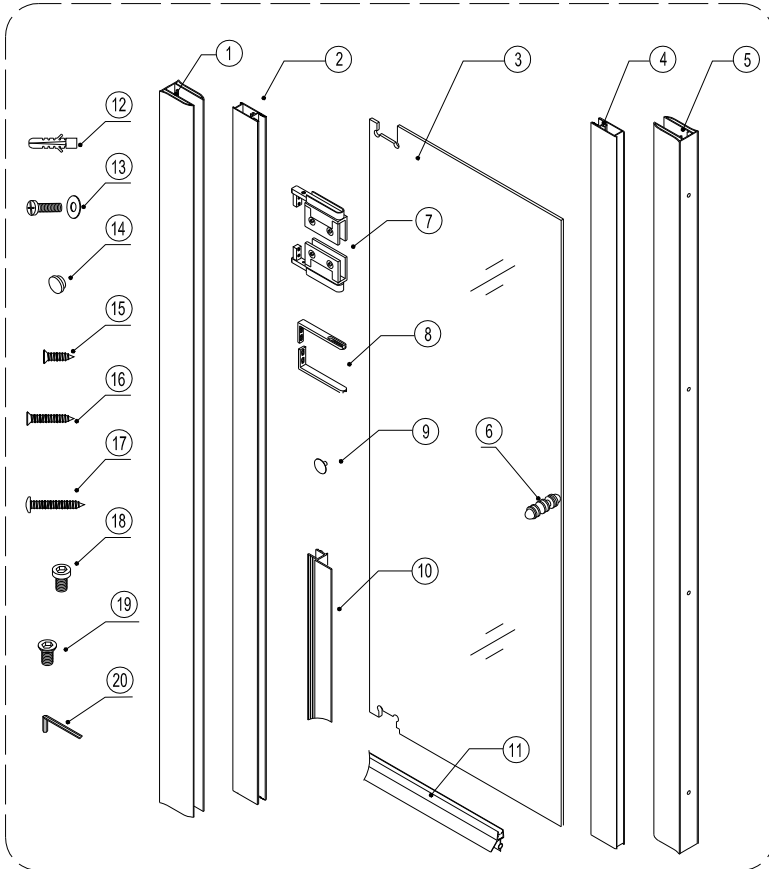
1. After opening the boxes, read this introduction carefully, check all the packed parts are complete by cross checking all the components against the “Detailed Diagram of Shower Door Components”. Examine for shipping damage. If the unit has been damaged, has a finishing defect or has missing parts please contact your local distributor within 3 business days. Please note that **Bath Authority™ / DreamLine™ will not replace any damaged product or missing parts free of charge after 3 business days or if the product has been installed.** Contact your distributor or DreamLine if you have any questions.
2. **Please note that you should consult your local building codes on questions on installation compliance standards. Building and plumbing codes vary by location, and DreamLine is not responsible for code compliance standards for your project.**
3. Please insure that prior to the installation the floor is leveled and solid. Also make sure the walls are at right angles. While some adjustment in leveling of the door is possible, irregular floor level or improper angle of side walls will result in serious problems for your installation. Please, note that there are some adjustments, cutting and drilling might be necessary during the installation process.

Tools Required

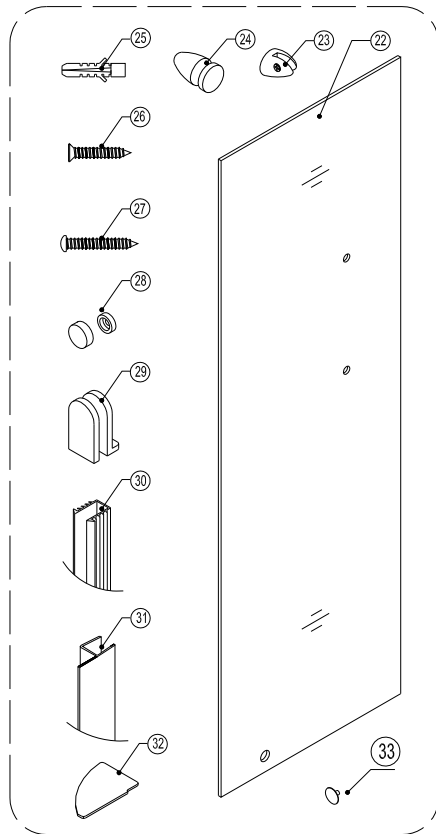


Detailed Diagram of Shower Door Components

Packing List A



Packing List B



Packing List A

01	Wall profile for glass door	1pc	11	Bottom anti-water strip	1pc
02	Glass profile for glass door	1pc	12	Wall anchor	12pcs
03	Glass door	1pc	13	Bolt M4×16 (With washer)	4pcs
04	Glass profile	1pc	14	Decorative cover	6pcs
05	Wall profile	1pc	15	Flat head screw ST4.2×16	6pcs
06	Handle	1pair	16	Flat head screw ST4.2×25	2pcs
07	Pivot assembly (upper and bottom)	1pair	17	Round head screw ST4.2×30	13pcs
08	Pivot retainer (upper and bottom)	1pair	18	Socket head screw M6×12	1pc
09	Screw cover (Oil rubbed bronze)	4pcs	19	Flat socket head screw M6×12	1pc
10	Anti-water strip	2pcs	20	Hex wrench	2pcs

The screw cover (9) is only for the hardware accessories which are oil rubbed bronze.

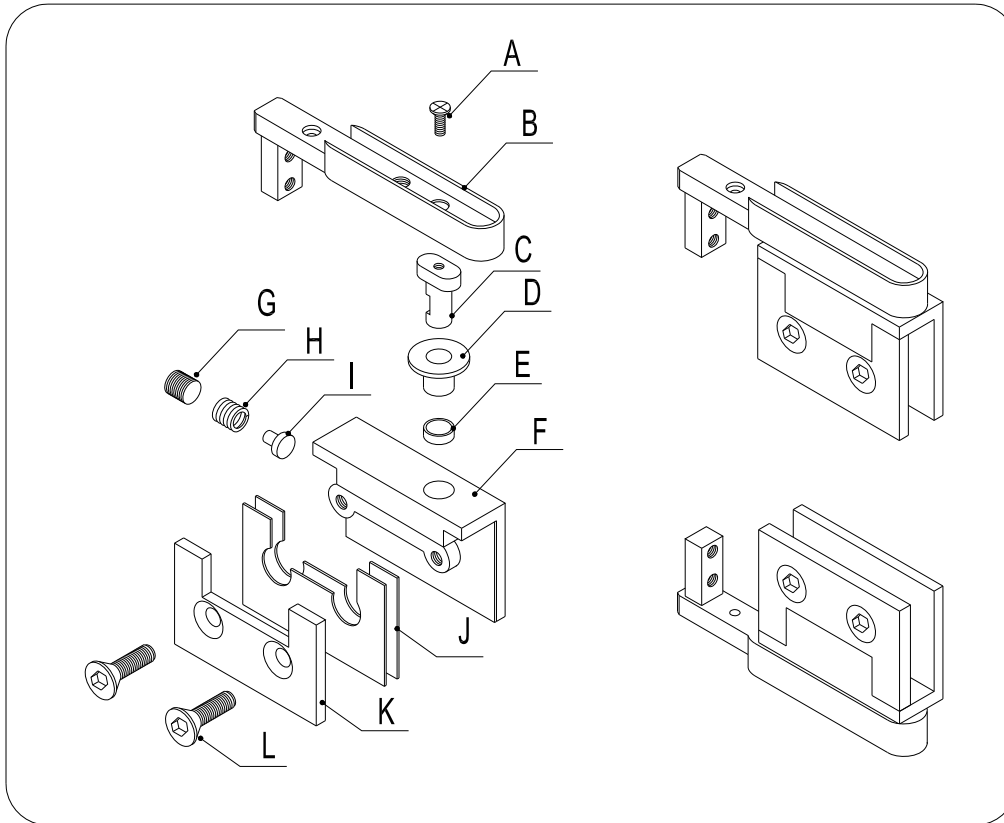
Packing List B (Only for doors with stationary glass)

22	Stationary glass	1pc	28	Decorative cover	1pc
23	Glass bracket (without nut)	4pcs	29	Bracket	1pc
24	Glass bracket (with nut)	2pcs	30	U-shape seal gasket	1pc
25	Wall anchor	4pcs	31	Anti-water strip	1pc
26	Flat head screw ST4.2×25	4pcs	32	Glass shelf	2pcs
27	Round head screw ST4.2×25	1pc	33	Screw Cover	1pc

The screw cover (33) is only for the hardware accessories which are oil rubbed bronze.

If the thickness of the stationary glass is 10mm, there will be no U-shape seal gasket 30).

Pivot Assemble Parts List



A	Flat head bolt M4x8	1pc	G	Bolt M12x10	1pc
B	Pivot bracket	1pc	H	Spring	1pc
C	Pivot axis	1pc	I	Core	1pc
D	Washer A	1pc	J	Spacer	4pcs
E	Washer B	1pc	K	Back plate	1pc
F	Pivot body	1pc	L	Bolt	2pcs

After you have checked that all components are there, you are ready to start the installation of your DreamLine™ shower door.

Assemble Steps

1. Locate the **Wall profile for glass door (1)** and place it vertically against the finished wall. Adjust the profile using a level. Use predrilled holes in the aluminum profile to mark holes for drilling. Now drill holes in the wall and insert the **Wall anchor (12)** into the hole. See Fig 1 for details.
2. Apply silicone sealant along the holes on the wall. Push the **Pivot retainer (8)** into the top and bottom sides of the **Wall profile for glass door (1)**. Attach the wall profile to the wall using **Round head screws ST4.2×30 (17)**. See Fig 2 for details.
3. Locate the **Glass profile for glass door (2)**. Push the upper **Pivot assembly (7)** into the top groove of the **Glass profile for glass door (2)**; then secure it and the profile with **Flat head screws ST4.2×25 (16)** and **M4×16 bolt (13)**. Repeat the same steps for the bottom Pivot assembly. See Fig 3 for details.

NOTE: The **Back plate (K)** of the **Pivot assembly (7)** should face inside of your shower. Please note it on Fig 3.

4. Push the assembled **Glass profile for glass door (2)** into the groove of the **Wall profile for glass door (1)**. Secure the upper **Pivot assembly (7)** and the upper **Pivot retainer (8)** using **Socket head screw M6×12 (18)**. See Fig 4 for details.
5. **NOTE:**
 - Please note the **Glass door (3)** is very heavy; you will need help of 1-2 people to hold this door for you during next step.
 - Your **Glass door** has 2 cuts for the pivot assembly. The deeper cut should be on the top.

Remove the **Bolts (L)** and **Back plates (K)** from the **Pivot assembly (7)**; then install the **Glass door (3)** to the **Pivot assembly**. Make sure the rubber gaskets are in between the glass and the metal parts. Secure the **Glass door** to the **Pivot assembly**. See Fig 5 for details.

6. Install **Handle (6)** onto the **Glass door (3)**. See Fig 6 for details.

NOTE: If your shower door requires only single glass door installation, you only need to assemble parts from Packing List A and follow steps 7-14. However if your door requires the glass door and stationary glass installation, you will need to use parts from Packing List A and Packing List B and continue your installation with Step 15.

7. Push the **Glass profile (4)** into the **Wall profile (5)** and push the **Anti-water strip (10)** into the groove of the glass profile. Close the glass door against the **Anti-water strip (10)** (Fig 7/3) to find the position of the wall profile. (You can pull the **Glass profile** from the **Wall profile** to adjust width). Mark the position of the **Wall profile** on the wall. See Fig 7/1,2,3 for details.
8. Pull out the **Glass profile** with **Anti-water strip** inserted into it from the wall profile. Use predrilled holes in the aluminum profile to mark holes for drilling. Now drill holes in the wall and insert the **Wall anchor (12)** into the holes. Apply silicone sealant along the holes on the wall. Attach the **Wall profile (5)** to the wall using **Flat head screws ST4.2×30 (17)**. See Fig 7 for details.
9. Push the **Glass profile (4)** with the **Anti-water strip (10)** into the **Wall profile (5)**.
10. Adjust the width of your door by pulling out the **Glass profiles (2)** and **(4)** if it necessary for size of your door. Adjust the **Glass door** using a level and tighten in place with the **Socket head screw M6×12 (18)**. Close the glass door and make sure that there is 1/16" - 1/8" gap between the glass door and the anti-water strip. See Fig 8.
11. Drill holes in **Glass profile for glass door (2)** through the **Wall profile for glass door (1)**. Secure the **Wall profile for glass door (1)** and the **Glass profile for glass door (2)** with

Flat head screws ST4.2×16 (15). Cover screw locations with **Decorative covers (14)**. See Fig 8 for details.

12. Repeat the step 11 for the **Glass profile (4)** and the **Wall profile (5)**. See Fig 9 for details.
13. Open the glass door. Push the **Bottom anti-water strip (11)** onto the glass door. Push the other **Anti-water strip (10)** into the groove of the **Glass profile for glass door (2)**. See Fig 10 and Fig 11. Close the hole in the bottom pivot retainer with **Flat socket head screw M6×12 (19)**.

NOTE: You can also attach the pivot retainer to the tray or threshold using **Flat head screw ST4.2×30 (17)**.

NOTE: If your hardware has **Oil Rubbed Bronze** finish you will need to cover **Bolt (L)** with the **Screw cover (9)**. See Fig 12 for details.

14. Apply silicone sealant between the tray or threshold and the pivot bracket. Apply silicone sealant over the **Screw (17)** or **(19)** to prevent leakage.

NOTE: The following steps (Steps 15-26) are only if your door requires the stationary glass installation.

15. Locate the **Stationary glass (22)**. Small hole on the short side of the stationary glass should be on the bottom and away from wall.

- If the thickness of your glass is 5/16" (8mm) place the **U-shape seal gasket (30)** on the long (vertical) side of the glass panel. Push the **Stationary glass (22)** into the **Glass profile (4)** groove using a hammer. See Fig 15A for details.
- If the thickness of the glass is 3/8" (10mm), apply silicone sealant onto the groove of the **Glass profile (4)**. Push the stationary glass into the glass profile groove using a hammer. See Fig 15B for details. (**NOTE: If the stationary glass and the glass profile have been assembled, you can skip this step.**)

NOTE: Do not strike with bare hammer on the glass or metal profiles. Use piece of wood between the hammer and profile.

16. Push the **Glass profile (4)** into the **Wall profile (5)** and push the **Anti-water strip (31)** onto the **Stationary glass (22)** (Fig 15B/3 and Fig 16/1). Close the glass door against the **Anti-water strip (31)** (Fig 16/2) to find the position of the **Wall profile (5)**. (You can pull the **Glass profile** from the **Wall profile** to adjust width). Mark the position of the **Wall profile** on the wall.

17. Pull out the **Glass profile** with **the Stationary glass** inserted into it from the wall profile. Use predrilled holes in the aluminum profile to mark holes for drilling. Now drill holes in the wall and insert the **Wall anchor (12)** into the hole. Apply silicone sealant along the holes on the wall. Attach the **Wall profile (5)** to the wall using **Flat head screws ST4.2×30 (17)**. See Fig 7/4,5,6,7,8 for details.

18. Push the **Glass profile (4)** with the **Stationary glass** and **Anti-water strip (31)** into the **Wall profile (5)**.

19. Adjust the width of your door by pulling out the **Glass profiles (2)** and **(4)** if it necessary for size of your door. Adjust the **Glass door** using a level and tighten in place with the **Socket head screw M6×12 (18)**. See Fig 8/1,2.

Close the glass door and make sure that there is 1/16" - 1/8" gap between the glass door and the **Anti-water strip (31)**. See Fig 17/1.

20. Drill holes in **Glass profile for glass door (2)** through the **Wall profile for glass door (1)**. Secure the **Wall profile for glass door (1)** and the **Glass profile for glass door (2)** with **Flat head screws ST4.2×16 (15)**. Cover screw locations with **Decorative covers (14)**. See Fig 8/4,5,6 for details.

21. To adjust and secure the **Stationary glass** - Install the **Bracket (29)** onto the **Stationary glass**; mark the drill hole for the bracket. Make sure the mark is clear and visible and drill

the hole on the mark. Use the **Round head screws ST4.2x25 (27)** to attach the **Bracket (29)** to the tray or the threshold. Cover the screw location with **Decorative cover (28)**. See Fig 17 for details. If you use the custom made threshold from the tiles, you need to use **Wall anchor (25)**.

22. Recheck you have 1/16" - 1/8" gap between the glass door and the **Anti-water strip (31)**. Then drill holes in **Glass profile for glass door (4)** through the **Wall profile for glass door (5)**. Secure the **Wall profile for glass door (5)** and the **Glass profile for glass door (4)** with **Flat head screws ST4.2x16 (15)**. Cover screw locations with **Decorative covers (14)**. See Fig 18 for details.
23. Refer to Fig 18 to mark the drill holes for the **Glass bracket (23)**. Make sure the marks are clear and visible. Drill holes on the marks and insert **Wall anchors (25)**. Using **Flat head screws ST4.2x25 (26)** to attach the **Glass brackets (23)** to the wall. Install the **Glass brackets (with nut) (24)** onto the **Stationary glass (22)**. Install the two **Glass shelves (32)** to the stationary glass. See Fig 19 and Fig 20 for details.
24. Open the glass door. Push the **Bottom anti-water strip (11)** onto the glass door. Push the other **Anti-water strip (10)** into the groove of the **Glass profile for glass door (2)**. See Fig 10 and Fig 11. Close the hole in the bottom pivot retainer with **Flat socket head screw M6x12 (19)**.

NOTE: You can also attach the pivot retainer to the tray or threshold using **Flat head screw ST4.2x30 (17)**.

NOTE: If your hardware has **Oil Rubbed Bronze** finish you will need to cover **Bolt (L)** with the **Screw cover (9)** and the bolt in **the Bracket (29)** with **Screw cover (33)**. See Fig 12 and 21 for details.

25. Apply silicone sealant between the tray or threshold and the pivot bracket. Apply silicone sealant over the **Screw (17)** or **(19)** to prevent leakage.
26. Apply silicone sealant between the stationary glass and the tray or the threshold.

NOTE: If you need to install the door on the right wall, simply exchange the position of the wall profile for glass door (1) and the wall profile (5) and turn it upside down.

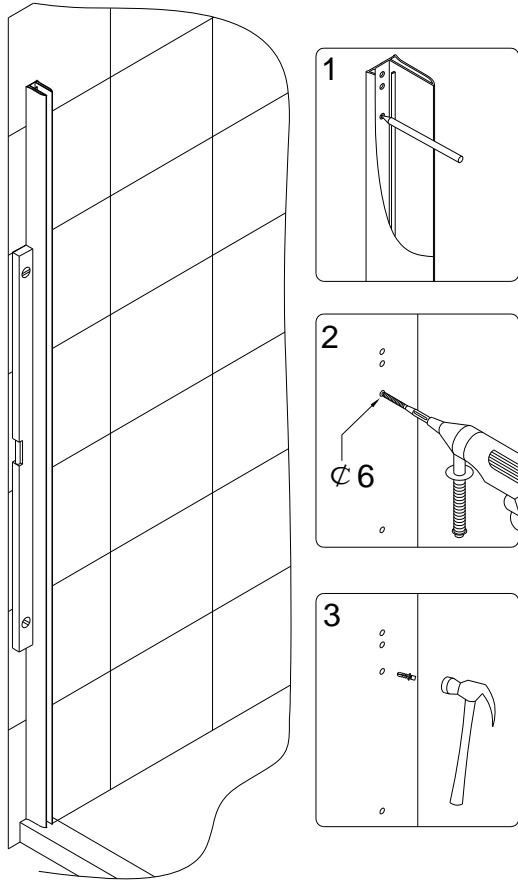


Fig 1

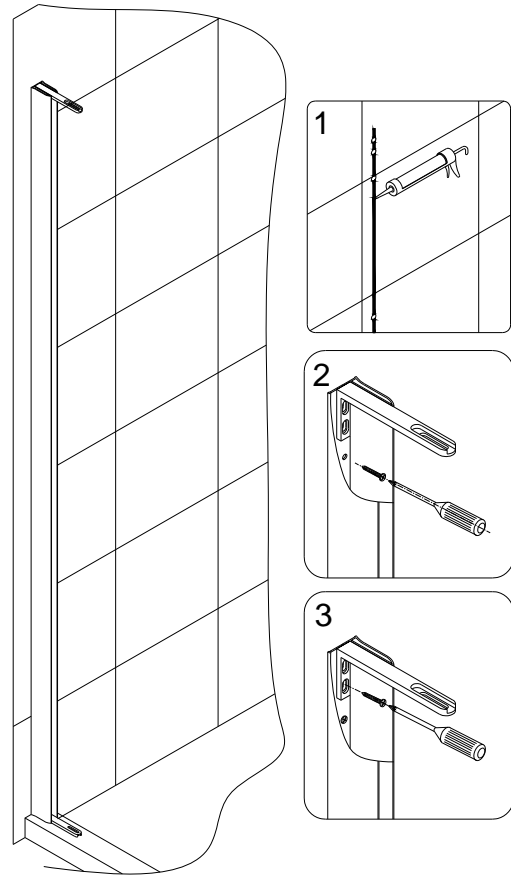


Fig 2

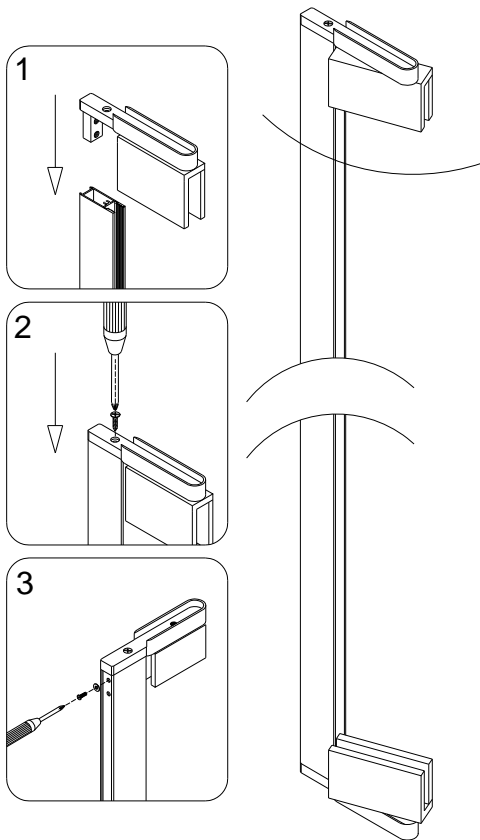


Fig 3

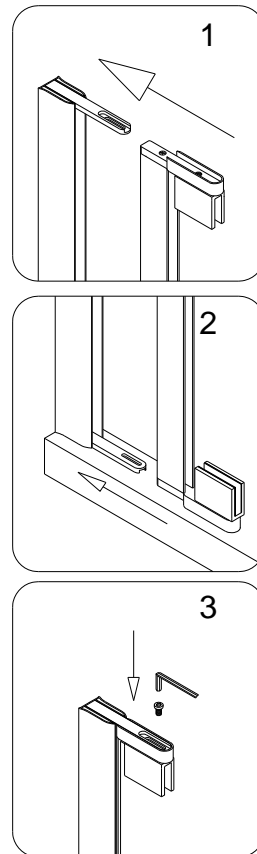


Fig 4

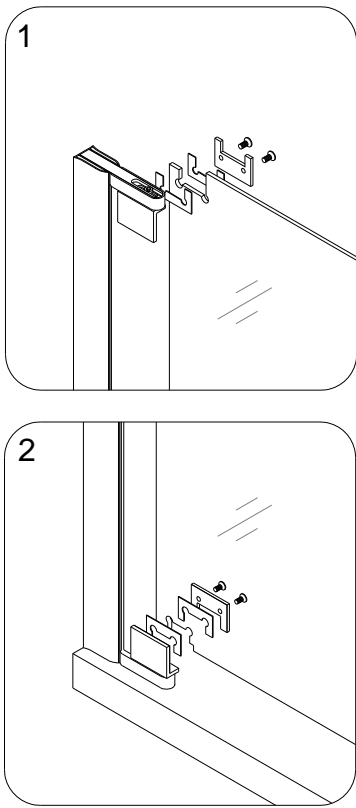


Fig 5

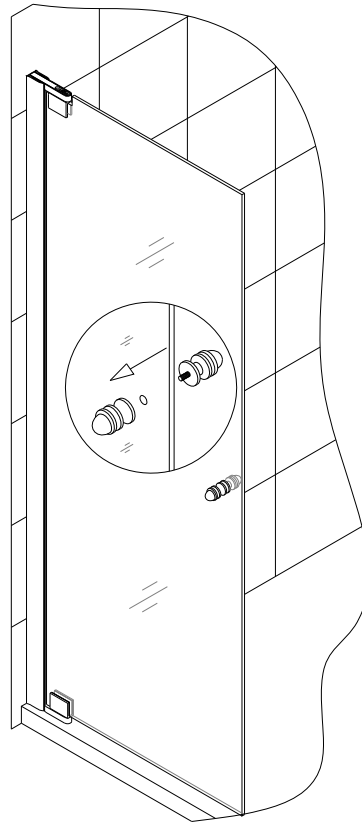


Fig 6

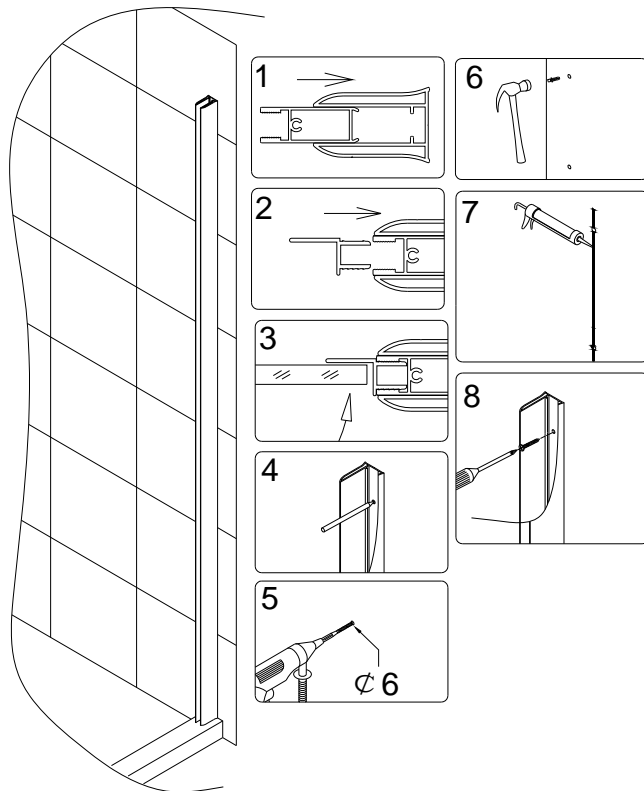


Fig 7

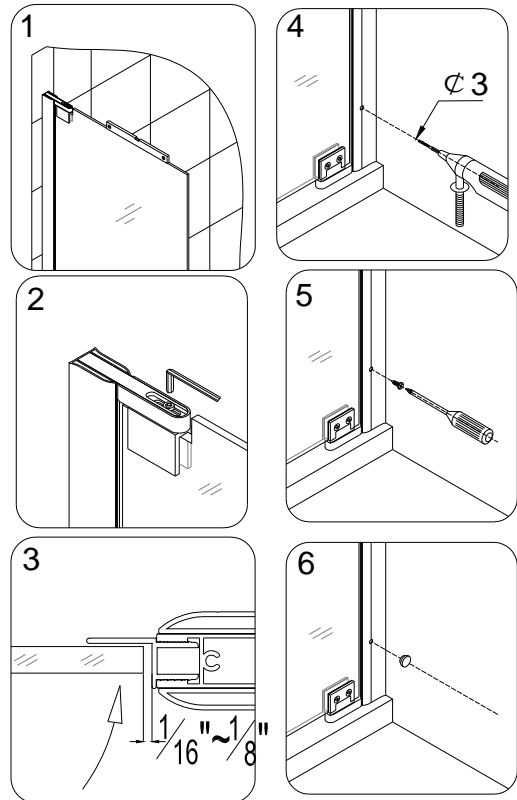


Fig 8

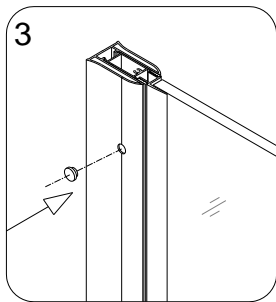
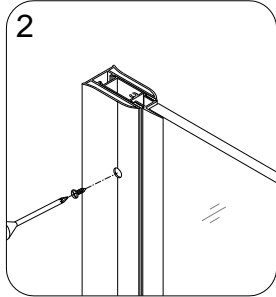
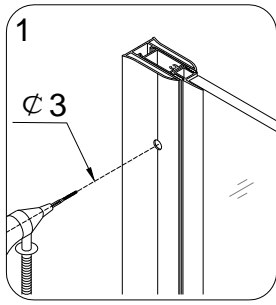


Fig 9

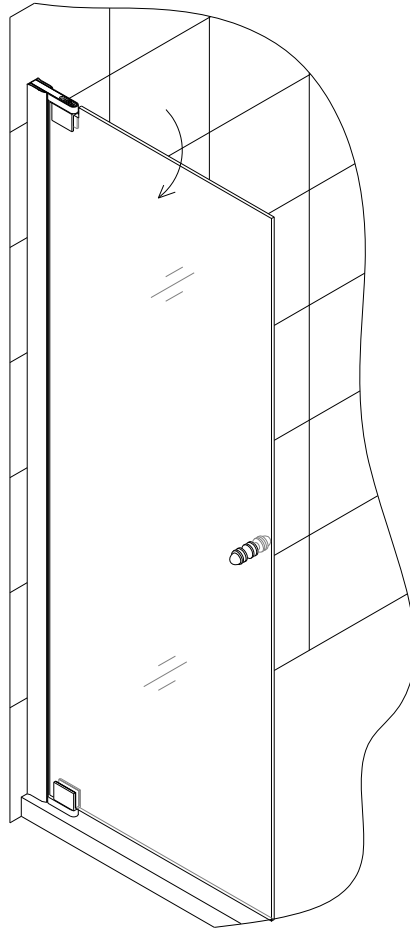


Fig 10

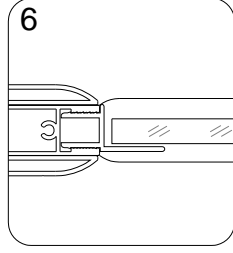
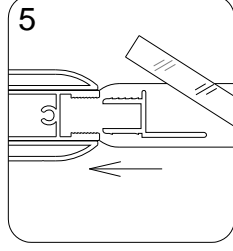
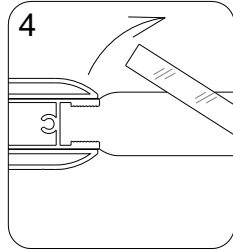
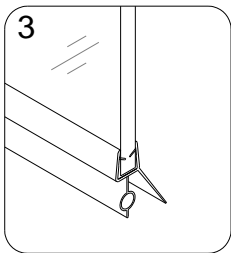
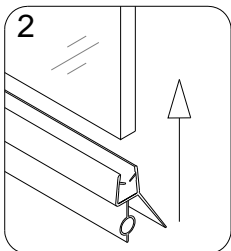
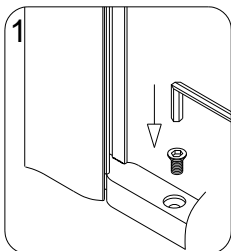


Fig 11

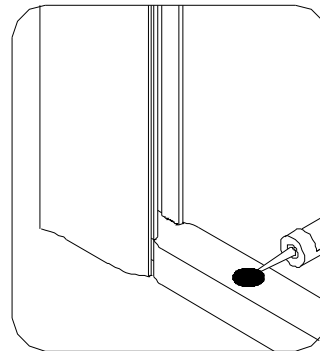
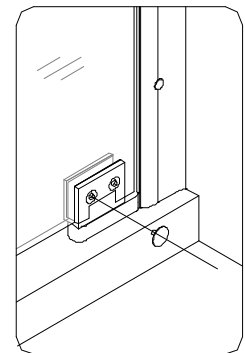
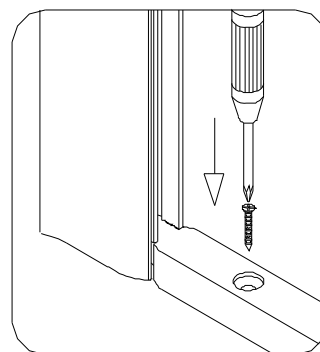


Fig 12

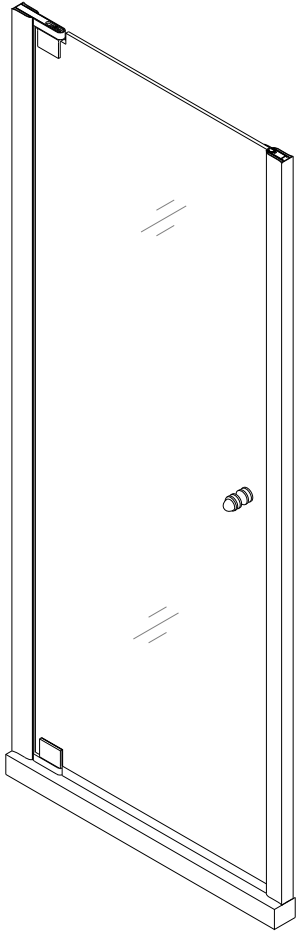


Fig 13

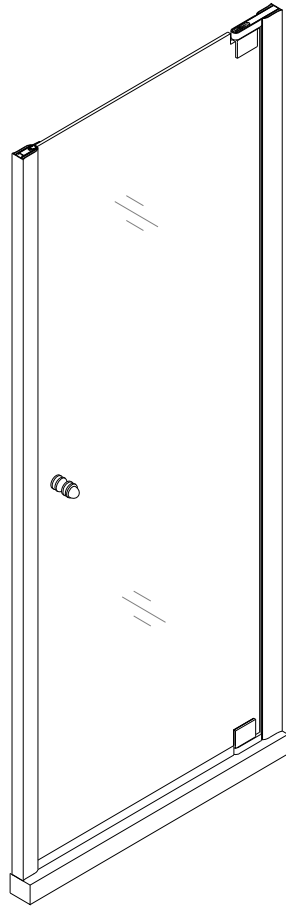


Fig 14

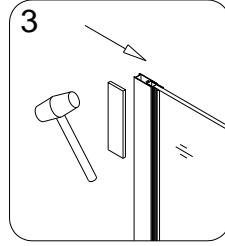
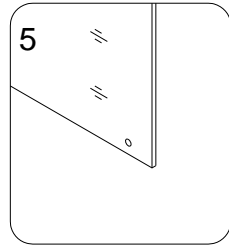
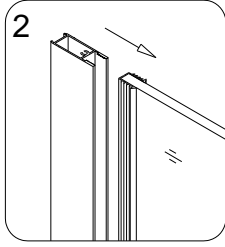
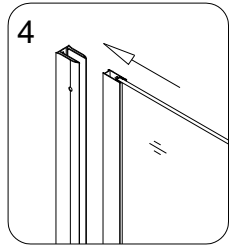
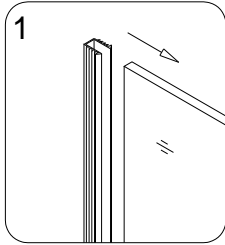


Fig 15A

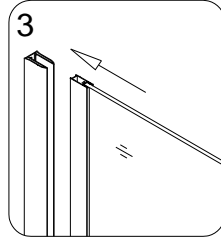
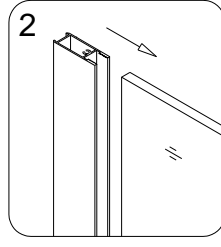
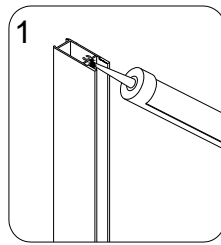


Fig 15B

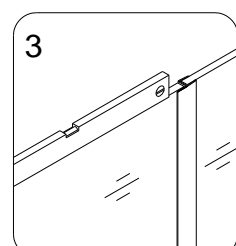
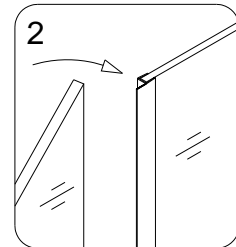
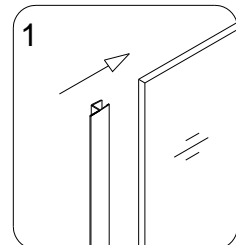


Fig 16

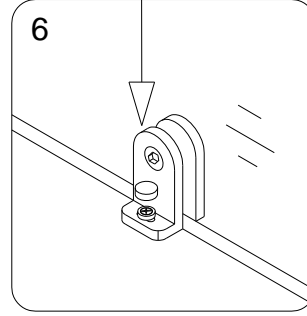
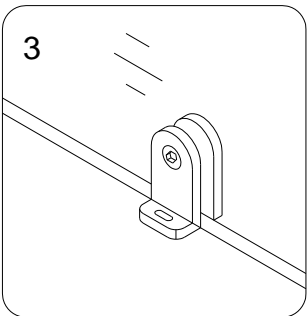
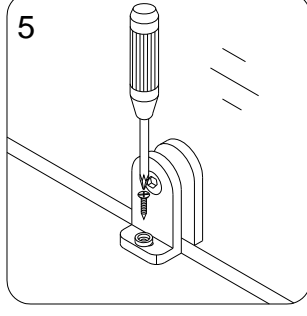
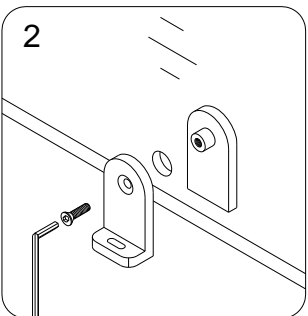
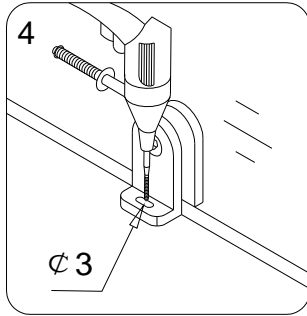
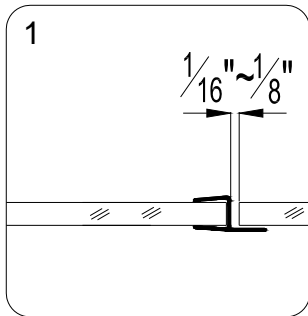


Fig 17

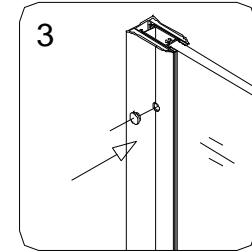
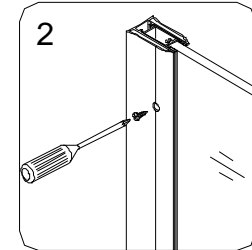
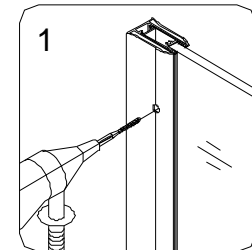


Fig 18

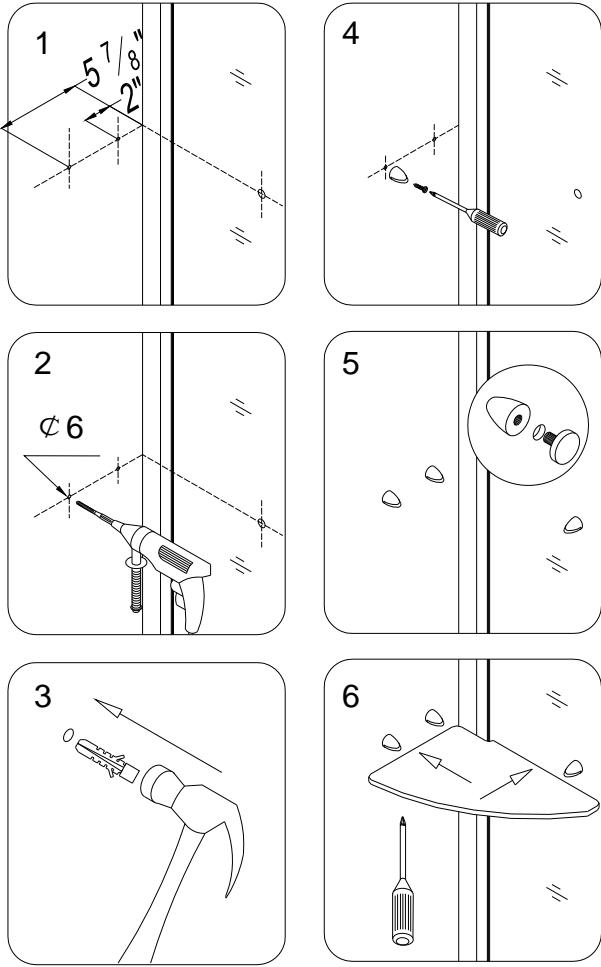


Fig 19

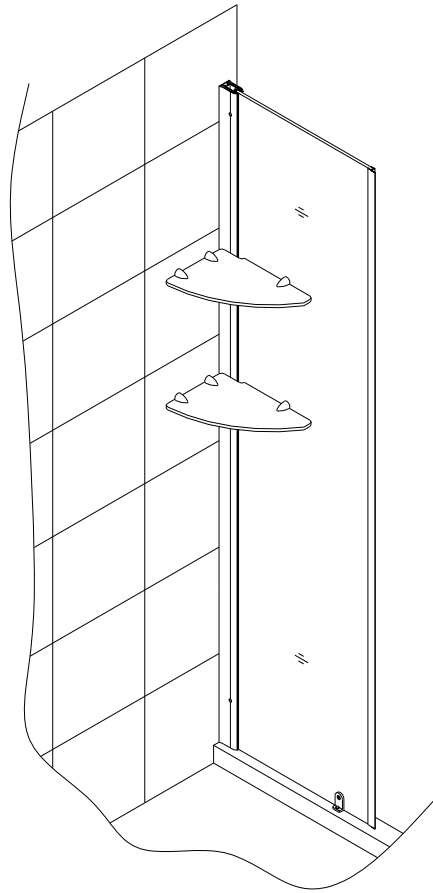


Fig 20

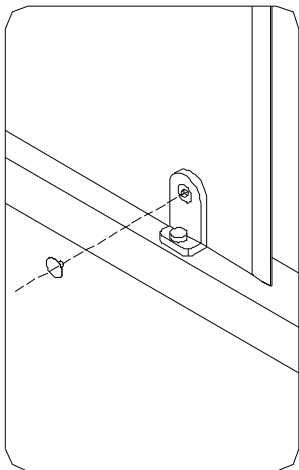


Fig 21

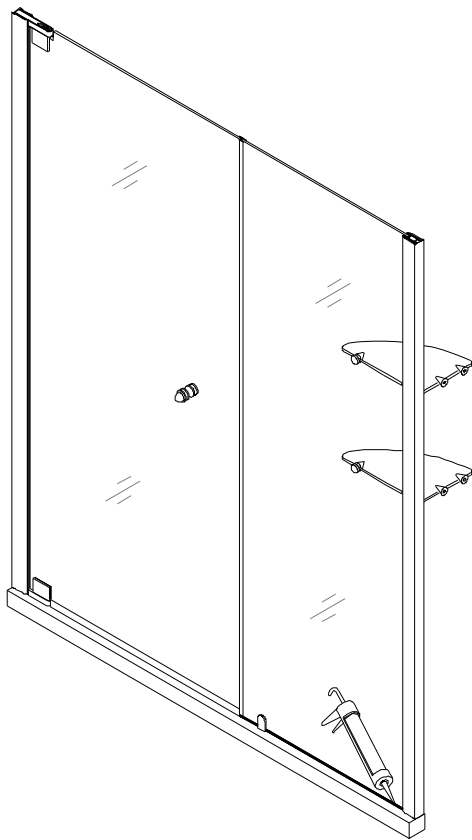


Fig 22

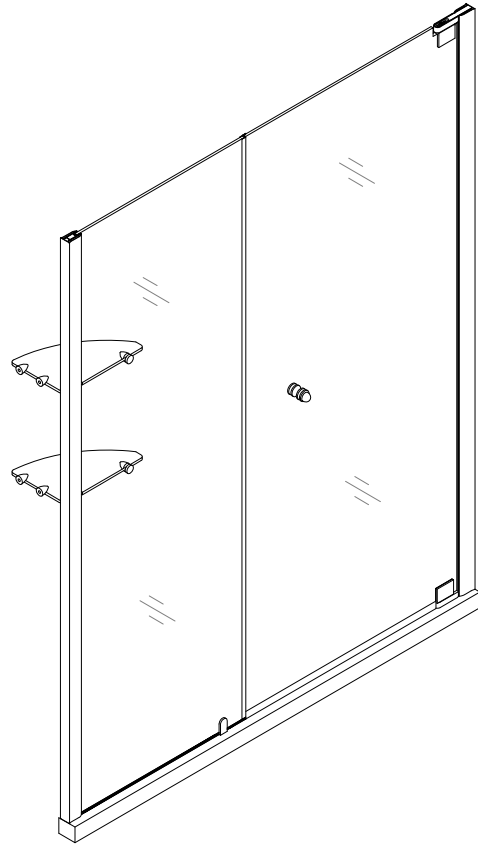


Fig 23

Product Maintenance

1. Tempered glass can be cleaned with nonabrasive bathroom cleaners or any glass cleaner you would use elsewhere in your home. Rinse off any glass cleaner that gets on the aluminum as soon as possible to avoid damage to the anodized surface. Avoid striking the glass with any sharp or hard objects. Such damage can cause either immediate or delayed breakage of tempered glass.

2. The aluminum in your shower door is durable and resistant to water damage. It is advisable, but not necessary to wipe it with your towel after your shower. Clean it as often as needed to keep the buildup of dirt, water stains or soap stains off. Never use any type of abrasive cleaner on aluminum. Use only a soft damp cloth and nonabrasive bathroom cleaners.