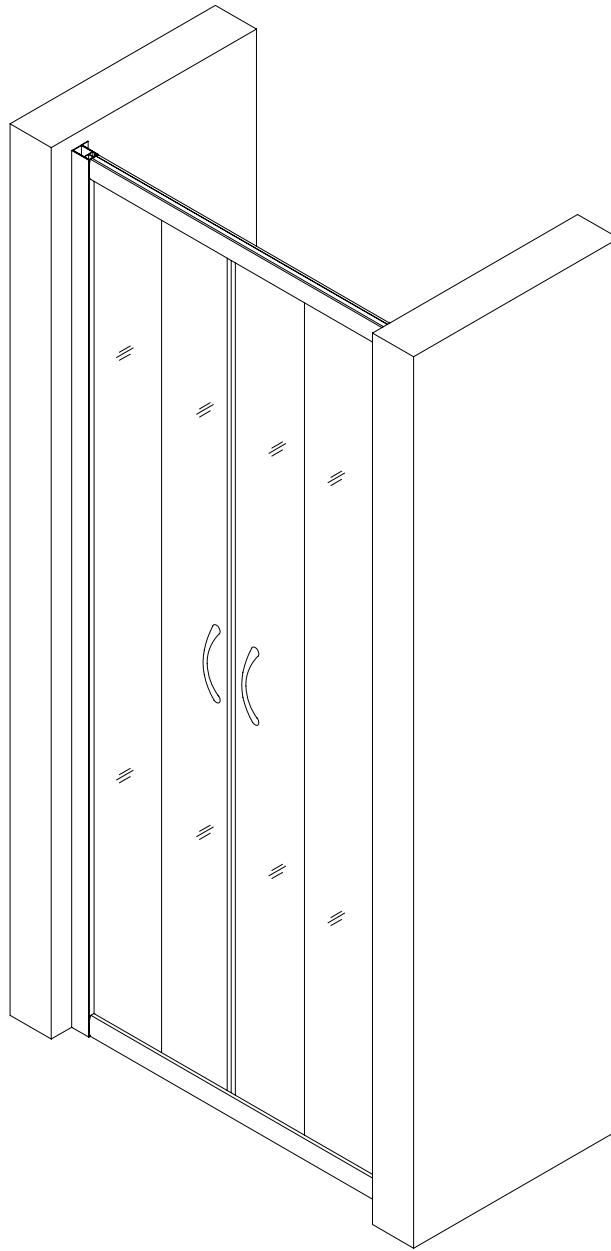




## Visions Shower/Tub Door Installation Instructions

### **IMPORTANT**

Please read carefully the following instructions before installing your shower door. If you have any questions on this shower door installation - please call our technical support specialists Monday to Friday 9:00AM – 5:00PM EST at 1-866-731-8378 Option 3 or e-mail our technical support group at [support@BathAuthority.com](mailto:support@BathAuthority.com)

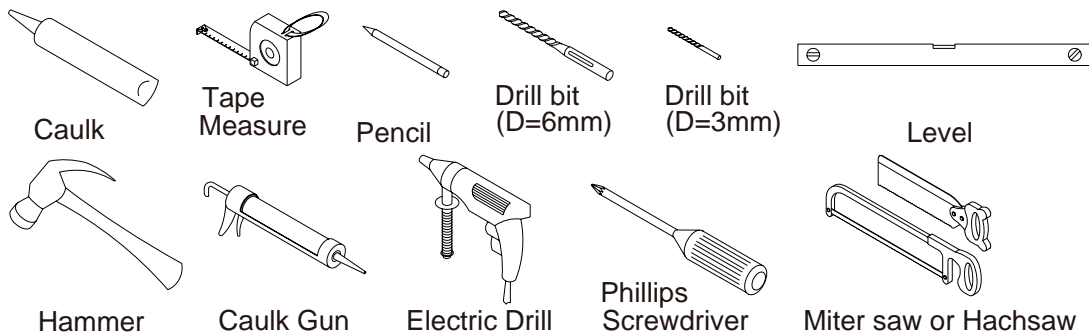


**Our product may have changes without prior notice**

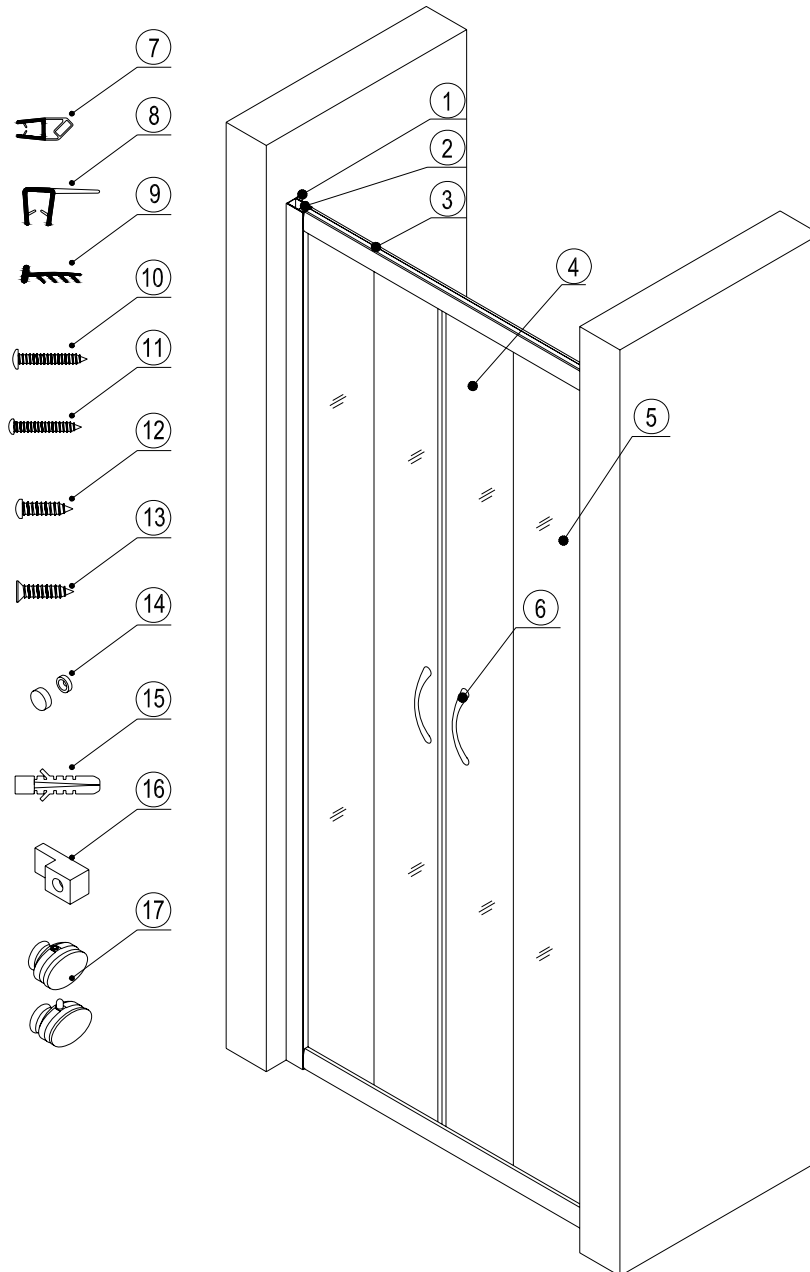
## Preparation

1. After opening the boxes, read this introduction carefully, check all the packed parts are complete by cross checking all the components against the “Detailed Diagram of Shower Door Components”. Examine for shipping damage. If the unit has been damaged, has a finishing defect or has missing parts please contact your local distributor within 3 business days. Please note that **Bath Authority™ / DreamLine™ will not replace any damaged product or missing parts free of charge after 3 business days or if the product has been installed.** Contact your distributor or DreamLine if you have any questions.
2. **Please note that you should consult your local building codes on questions on installation compliance standards. Building and plumbing codes vary by location, and DreamLine is not responsible for code compliance standards for your project.**
3. Please insure that prior to the installation the floor is leveled and solid. Also make sure the walls are at right angles. While some adjustment in leveling of the door is possible, irregular floor level or improper angle of side walls will result in serious problems for your installation. Please, note that there are some adjustments, cutting and drilling might be necessary during the installation process.

## Tools Required



## Detailed Diagram of Shower Door Components



### Packing List

01	Wall profile	2pcs	10	Round head screw ST4.2x30	8pcs
02	Glass profile	2pcs	11	Round head screw ST4.2x25	8pcs
03	Guide rail	2pcs	12	Round head screw ST4.2x10	4pcs
04	Glass door	2pcs	13	Flat head screw ST4.2x15	4pcs
05	Stationary glass	2pcs	14	Decorative cover	4pcs
06	Handle	2pairs	15	Wall anchor	8pcs
07	Magnetic strip	1pair	16	Glass holder	4pcs
08	Anti-water strip	4pcs	17	Wheel assembly	4pairs
09	Single side strip	2pcs			

**After you have checked that all components are there, you will be ready to start the installation of your DreamLine shower door.**

## Assemble Steps

1. Measure the distance of two walls, distance as  $W$ . See Fig 1 for details.
2. Measure the length of the guide rail which is  $L$ , if  $(L + 3\ 1/2") \leq W \leq (L + 5")$ , there is no need to cut the guide rail, we can go to Step 4. If  $W < (L + 3\ 1/2")$ , then you need to cut top and bottom guide rail on both ends. The cutting length will be  $L1$ ;  $L1 = (L + 3\ 1/2" - W)/2$ . See Fig 2 and 3 for details.
3. If the guide rails had been cut you will need to move two plastic roller stoppers on each guide rail.  
**NOTE: Move only stoppers at the end of the profiles.**  
Remove existing stoppers. Mark the new holes on  $L1$  distance from old one toward to center of the guide rail. Drill the new holes using 3mm drill bit; then secure the stopper with screws. **Attention: do not drill guide rail throughout, only the first wall.** See Fig 4 for details.
4. Secure bottom **Guide rail (3)** and glass profile with **Round head screw ST4.2x25 (11)**. See Fig 5 for details. Repeat the same for upper **Guide rail (3)**.
5. Push the stationary glass into glass profile groove, and then secure it to the guide rail by **Glass holders (16)** and **Flat head screws ST4.2x15 (13)**. If the guide rails had been cut you will need to drill new holes with 3mm drill bit before installing glass holders. **Attention: do not drill guide rail throughout, only the first wall.** See Fig 6 for details.
6. Secure another side of stationary glass inside of the glass profile groove with **Single side plastic strip (9)**. Push single side plastic strip between glass and side wall of the profile using wooden shims or other piece of wood. **Do not use the screwdriver or other metal objects; you can scratch or damage the glass and aluminum.** See Fig 7 for details.
7. Push the **Wall profile (1)** all the way over the **Glass profile (2)**. Be sure to keep a tong with predrilled holes inside of shower. See Fig 8 for details.
8. Carry the assembled unit on the top of tray, bath tub or stone base (depending on your installation); push it against wall. You can adjust position of the shower by pulling it partially out of the wall profile. Now adjust one of wall profiles vertically using level and mark holes on the wall. Using help to hold this profile in the right position, level another profile and mark holes. Gently move the assembled unit on the side, drill holes into the wall, insert anchors. See Fig 9 and Fig 10 for details.
9. Apply the silicone caulk along the holes on the wall. Place the whole shower assembly on the tray and attach it to the wall using **Round head screws ST4.2x30 (10)**. See Fig 10/4 and 10/5 for details.
10. Your unit can be shipped to you with the **Wheel assemblies (17)** installed on the doors. If not, please refer to diagram (fig 11) how to install it. Attach the top and bottom wheels to the glass doors. The wheel that goes on the top has an adjustable screw and nut to adjust the door level. Note that the lock nut of upper wheel should face up. The bottom wheel has a press button to fix the wheel on the bottom guide rail; that button should face up. See Fig 11 for details.

11. Place the **Glass doors (4)** on the guide rails. Install the **Handle (6)** and **Magnetic strips (7)** on the glass door. Place the **Anti-water strip (8)** on the long (vertical) side of the glass door and the stationary glass. See Fig 12 for details.
12. Secure the wall profile and glass profile with **Round head screws ST4.2x10 (12)**. **Attention: do not drill profile throughout, only the first wall.** See Fig 13 for details.
13. Apply caulk along the bottom of the guide rail and the tray. Let it dry for 24 hours before using the shower. See Fig 14 for details.

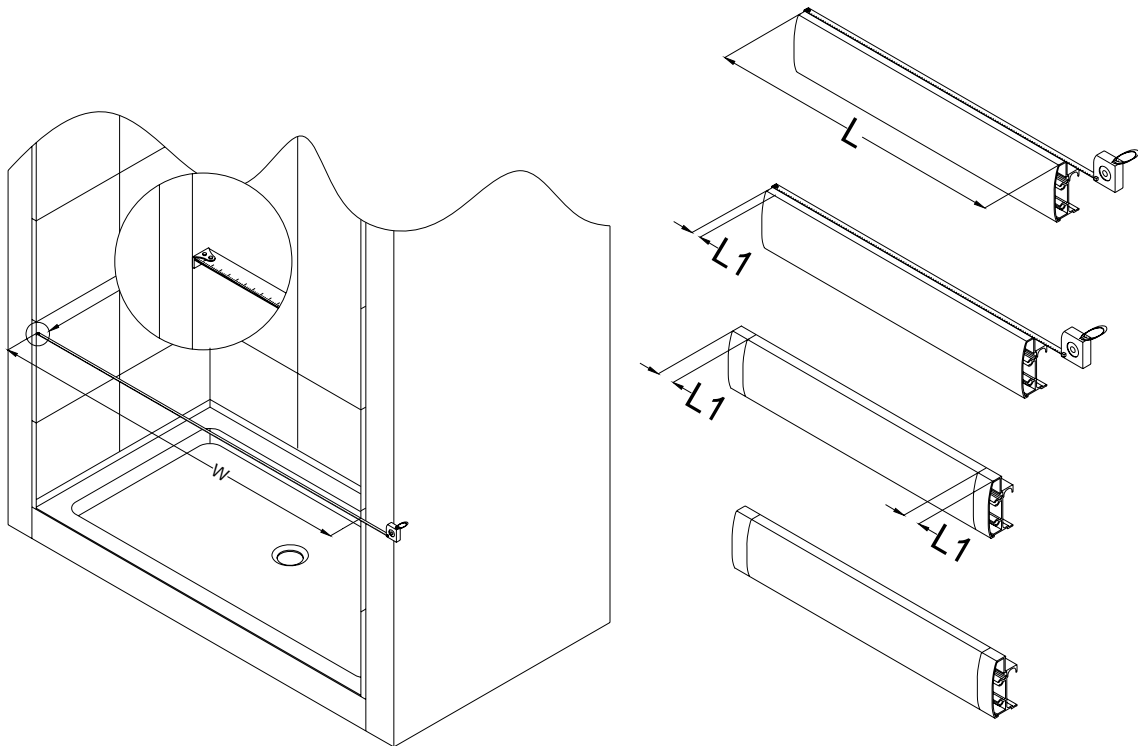


Fig 1

Fig 2

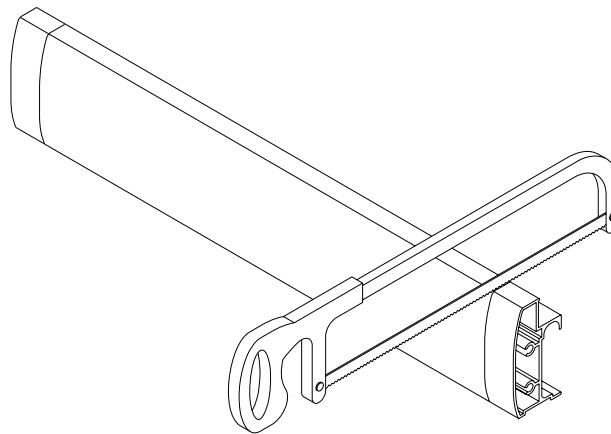


Fig 3

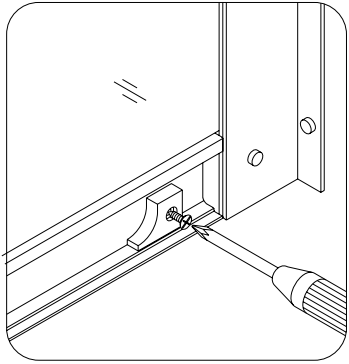
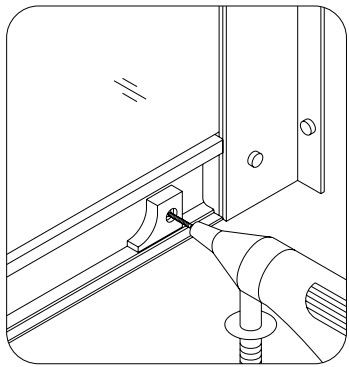


Fig 4

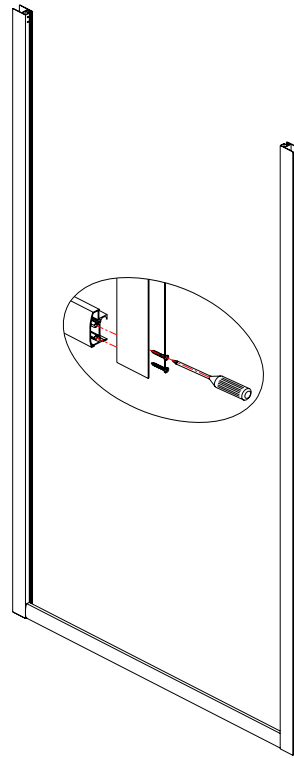


Fig 5

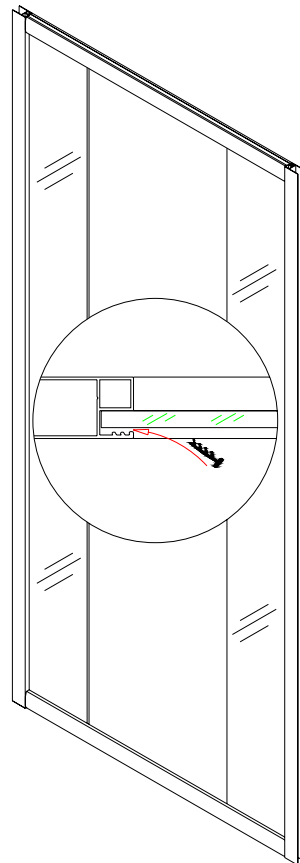
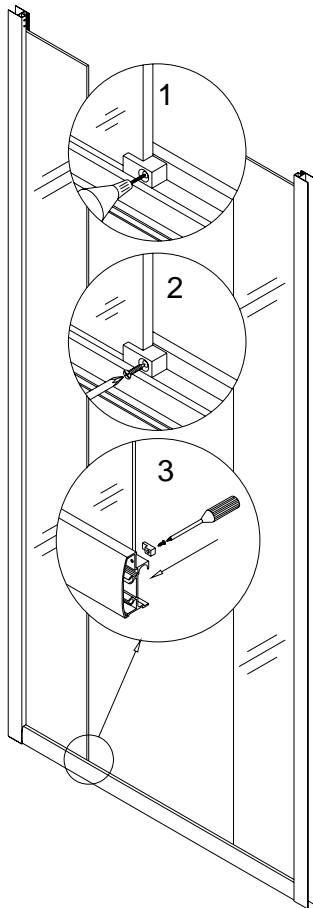


Fig 6

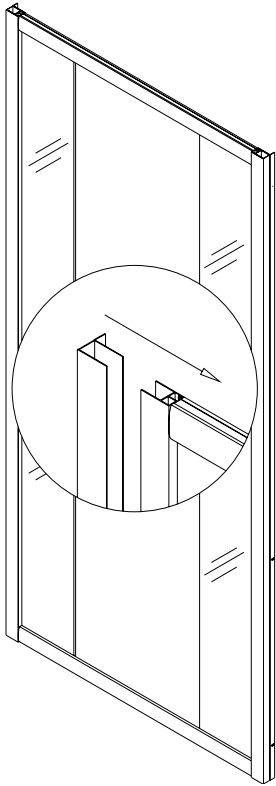


Fig 7

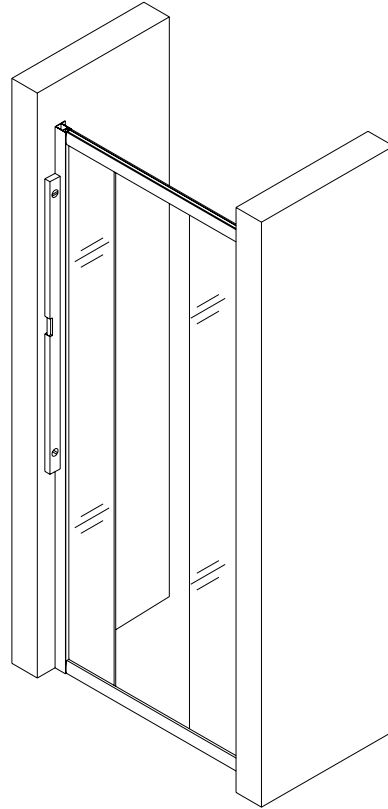


Fig 8

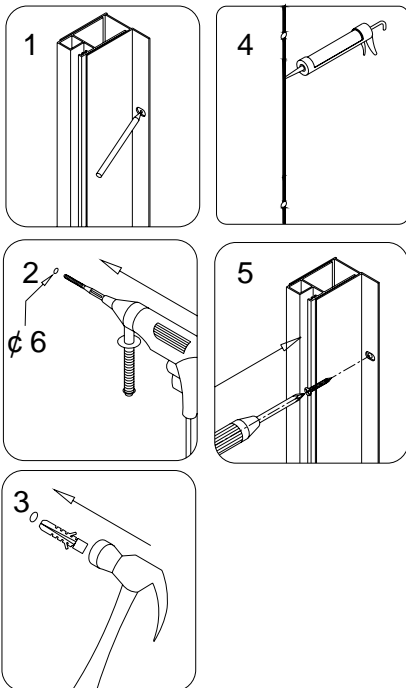


Fig 9

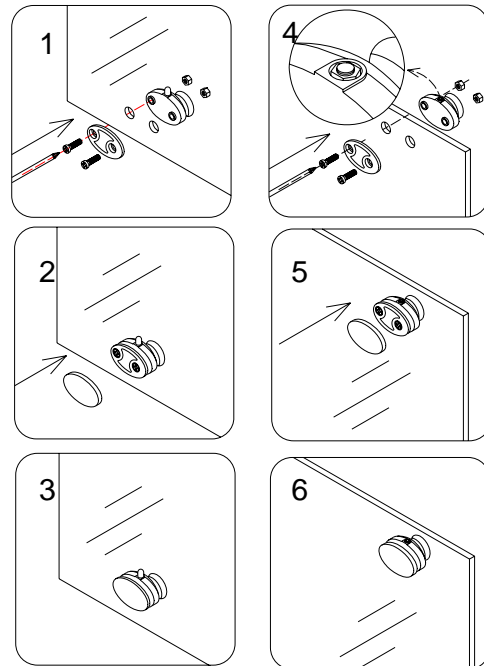


Fig 10

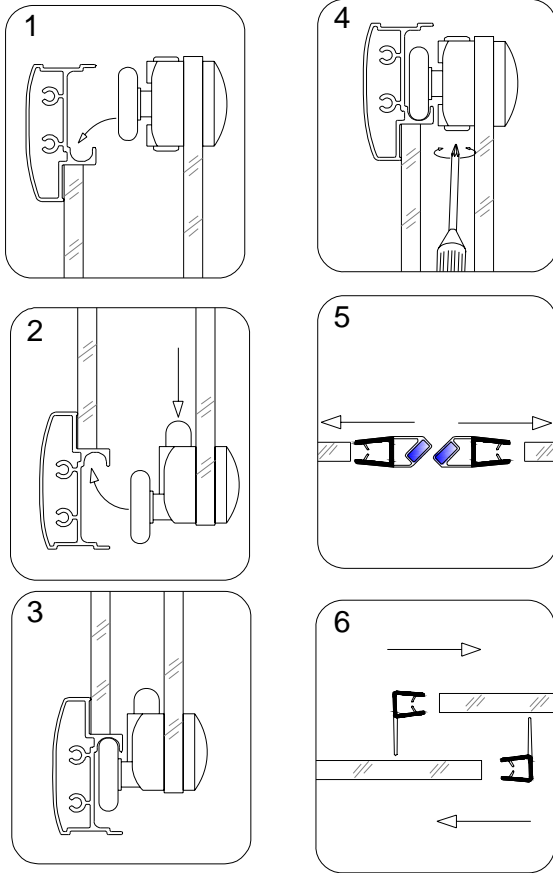


Fig 11

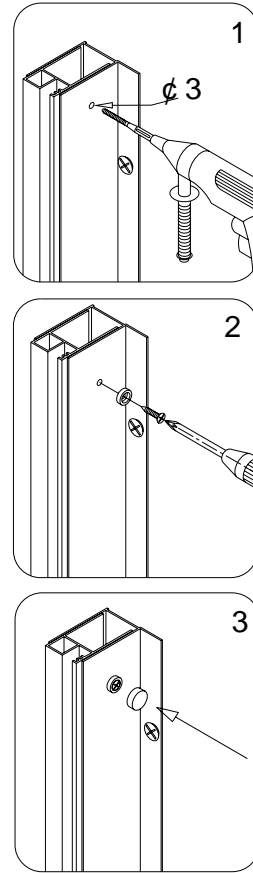


Fig 12



Fig 13

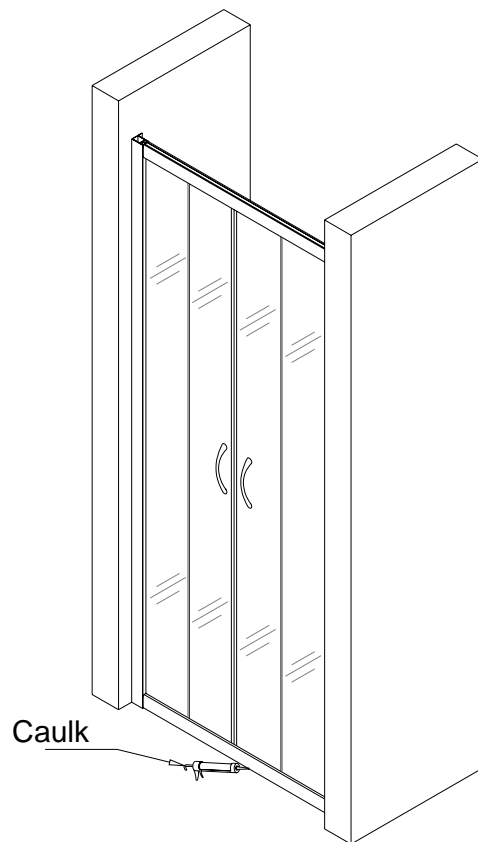




Fig 14

### **Product Maintenance**

1. Tempered glass can be clean with nonabrasive bathroom cleaner or any glass cleaner you use elsewhere in your home. Rinse off any glass cleaner that gets on the aluminum as soon as possible to avoid damage to the anodized surface. Avoid striking it with any sharp or hard objects. Such damage can cause either immediate or delayed breakage of tempered glass.

2. The aluminum in your shower door is durable and resistant to water damage. It is advisable, but not necessary to wipe it with your towel after your shower. Clean it as often as needed to keep the buildup off. Never use any type of abrasive cleaner. Use only a soft damp cloth and nonabrasive bathroom cleaners.

3. Maintenance of wheel:

A: for plastic wheel, use a little lubricating oil to keep it smooth and long last.

B: for metal wheel, except adding of oil, if shower has not been used for a long time, you can dry the wheel and put a little grease to keep it well working conditions.

C: Adjust wheel screw periodically to guarantee moving door effective bearing and sliding.