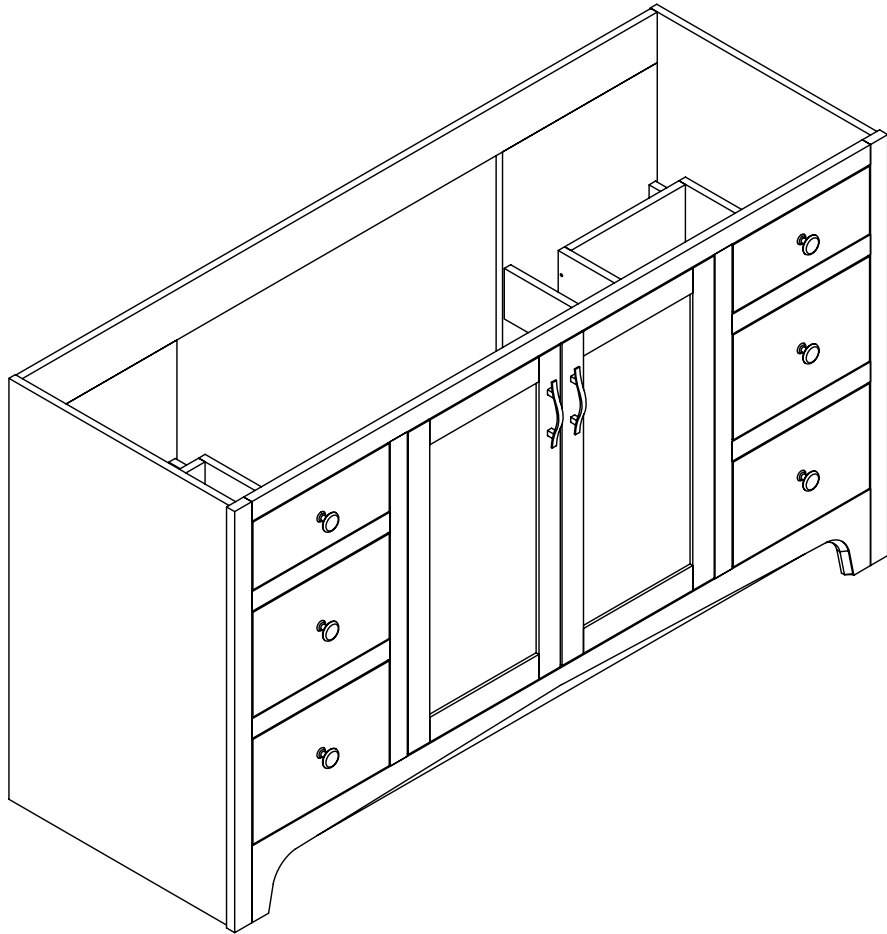




[www.todaysdesignhouse.com](http://www.todaysdesignhouse.com)

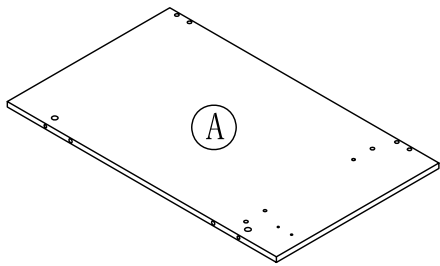


541292 • 541433

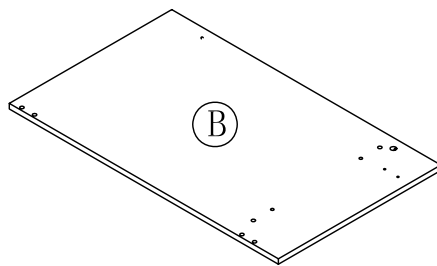
# ASSEMBLY INSTRUCTIONS

DHI Corp. • 5205 W. Donges Bay Rd. • Mequon, WI 53092 • 800.558.8700

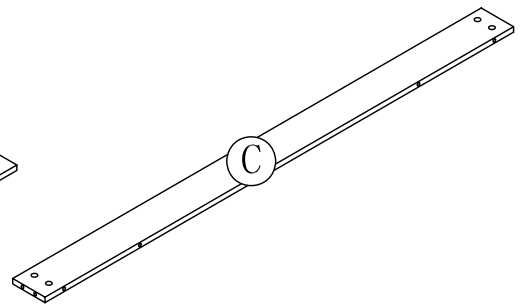
# PARTS LIST:



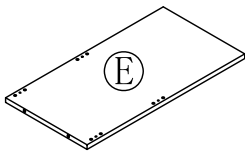
LEFT SIDE PANEL 1PC



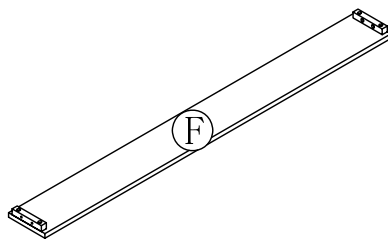
RIGHT SIDE PANEL 1PC



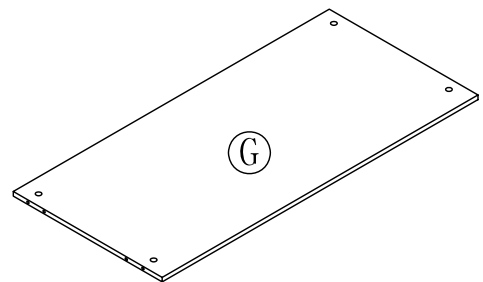
BACK CROSS BRACE 2PCS



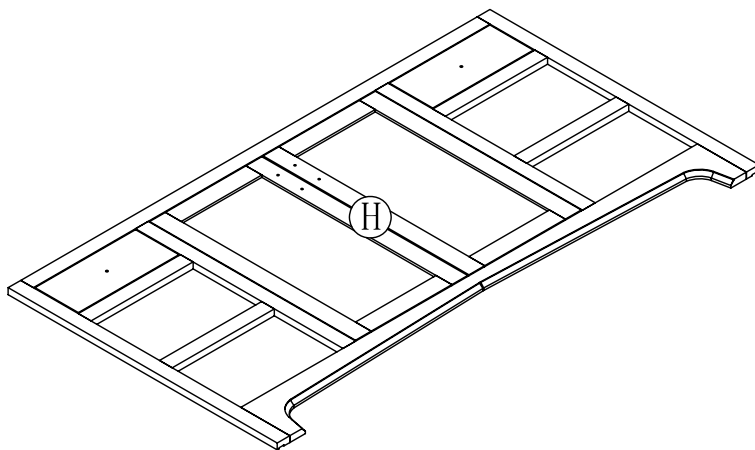
BACK PARTITION  
PANEL 2PCS



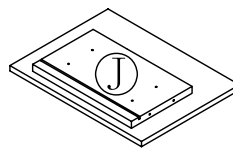
TOE KICK  
PANEL 1PC



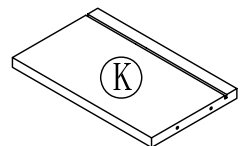
BOTTOM PANEL 1PC



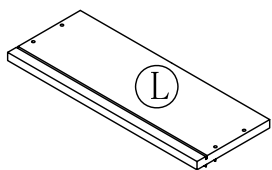
FRONT FRAME 1PC



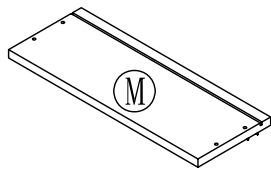
DRAWER FRONT  
PANEL 4PCS



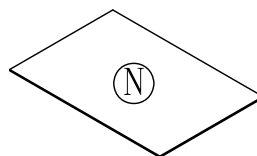
DRAWER BACK  
PANEL 4PCS



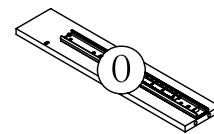
DRAWER LEFT SIDE  
PANEL 4PCS



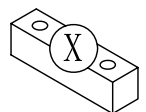
DRAWER RIGHT SIDE  
PANEL 4PCS



DRAWER BOTTOM  
PANEL 4PCS



SUPPORT  
PANEL 8PCS

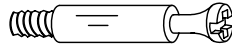


STOPPER 1PC

# HARDWARE LIST:



a. WOOD DOWEL 48PCS



b. CAM LOCK SCREW  
16PCS



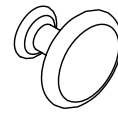
c. CAM LOCK 16PCS



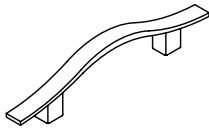
d. 1" L FLAT HEAD  
SCREW 14PCS



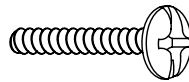
e. 1-1/2" L FLAT HEAD  
SCREW 32PCS



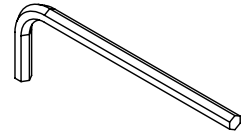
l. KNOB 6PCS



m. HANDLE 2PCS



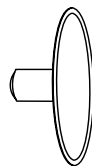
n. HANDLE (KNOB)  
BOLT 10PCS



o. WRENCH 1PC

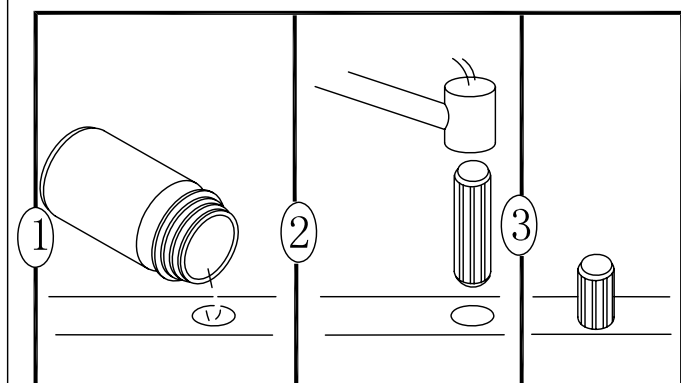
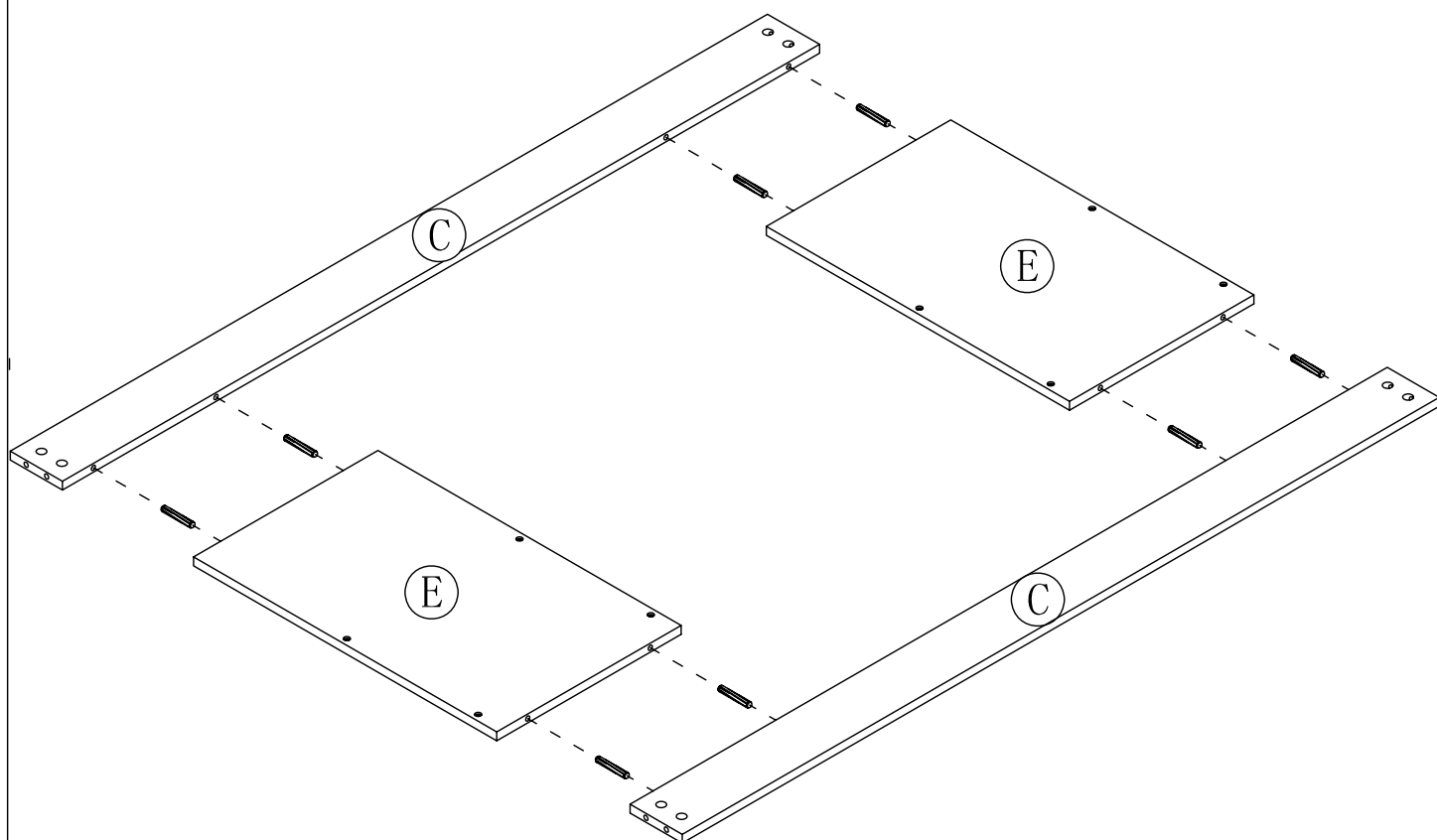


p. GLUE 1PC

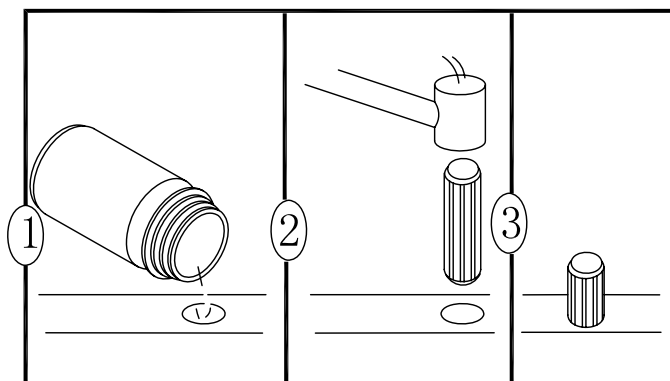
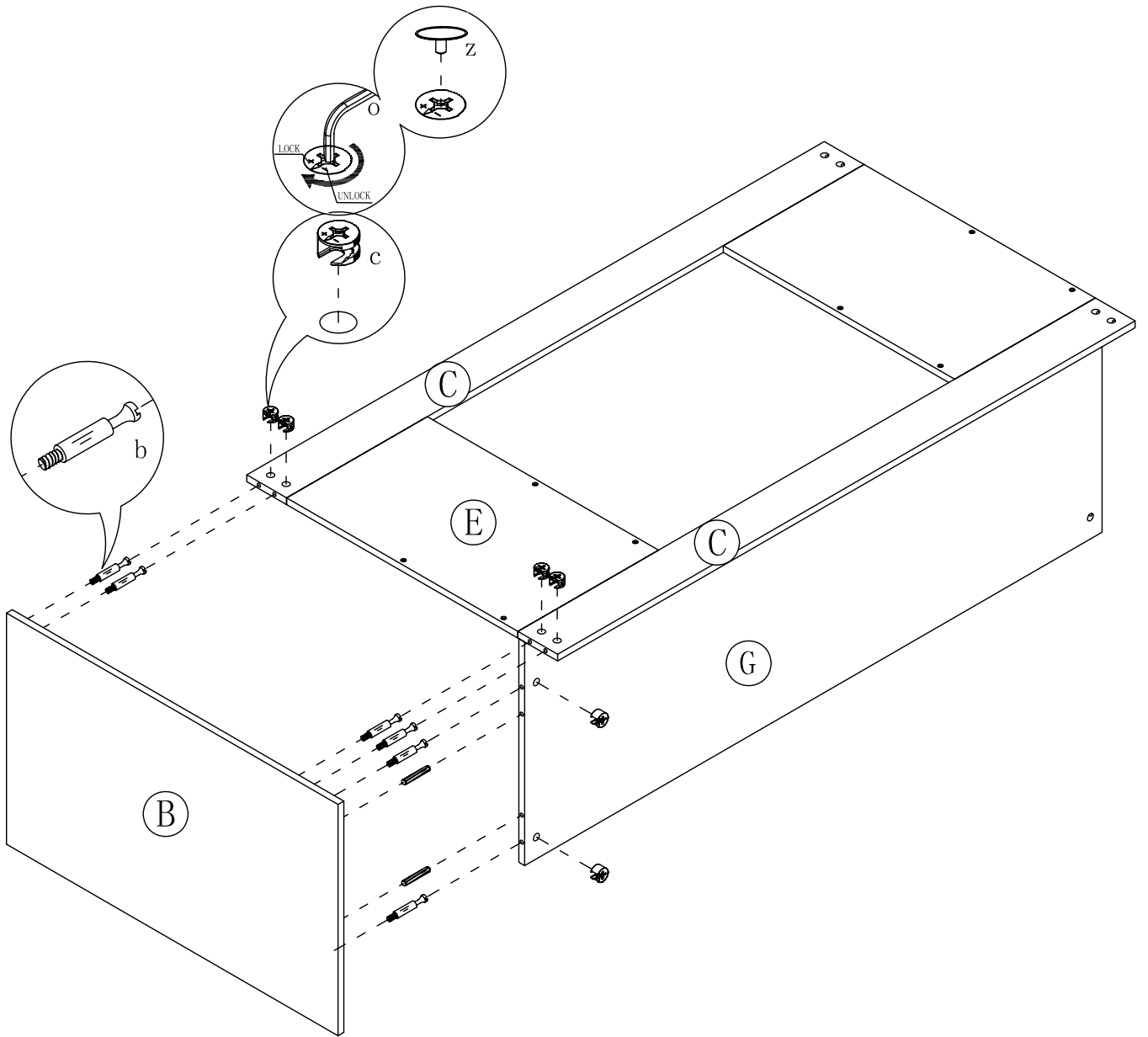


z. PLASTIC COVER 16PCS

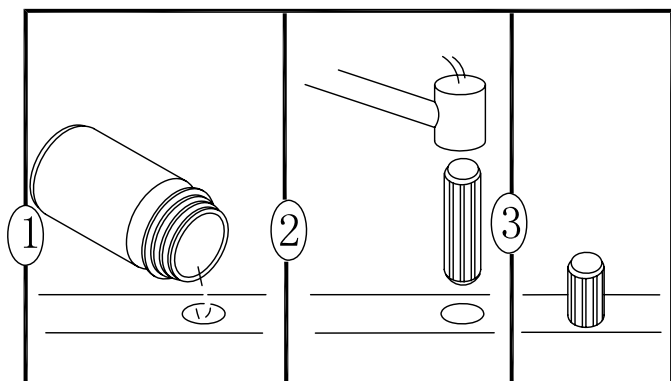
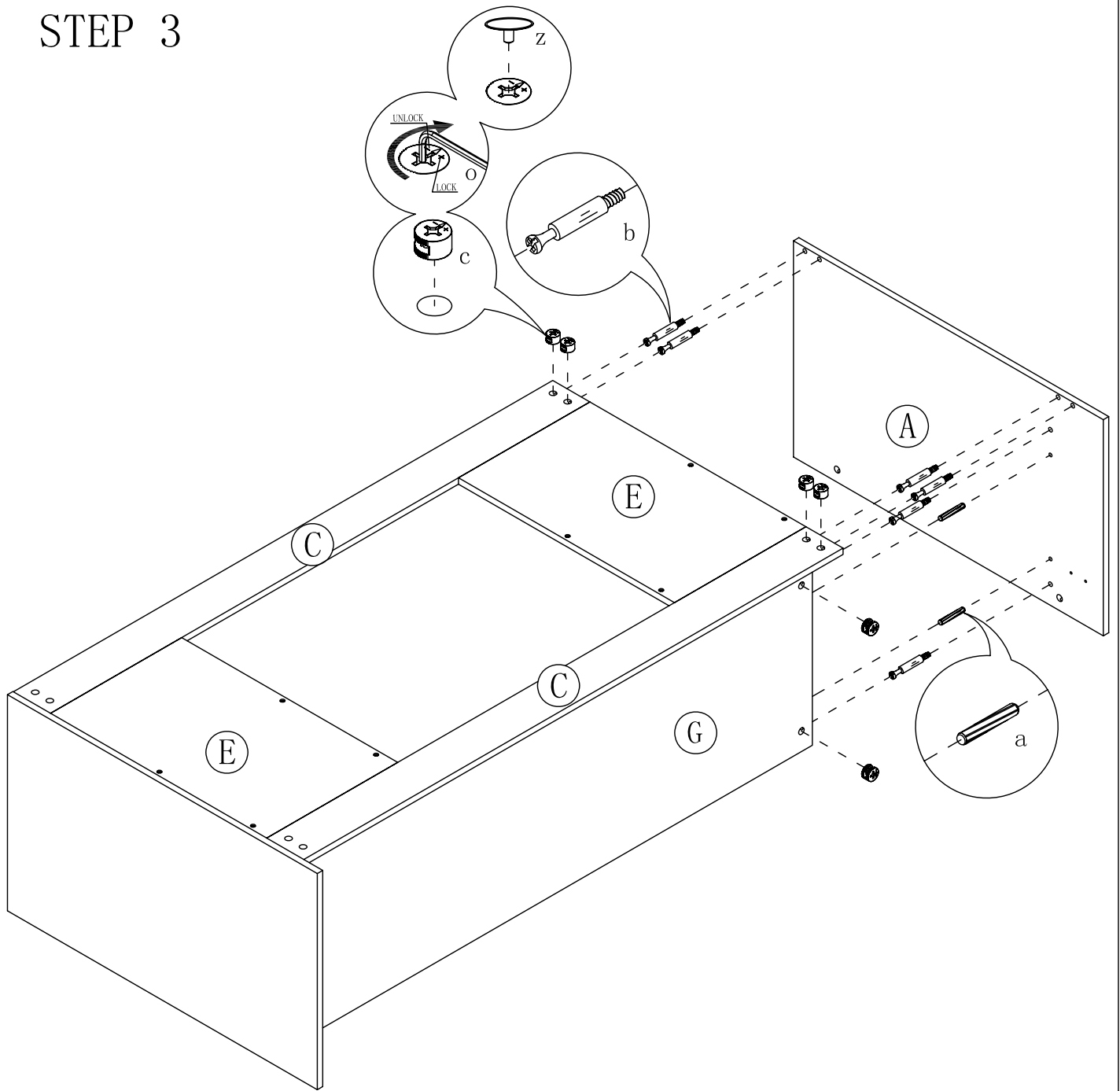
# STEP 1



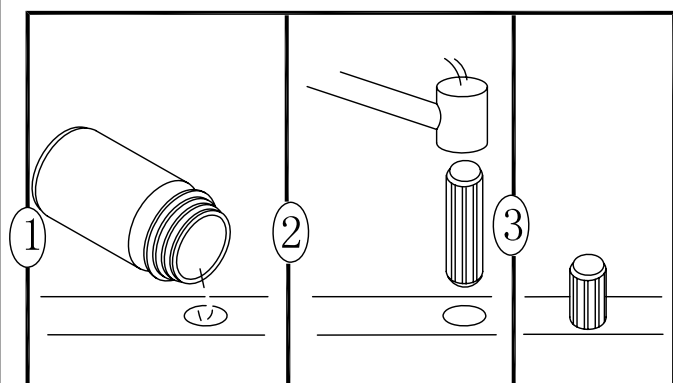
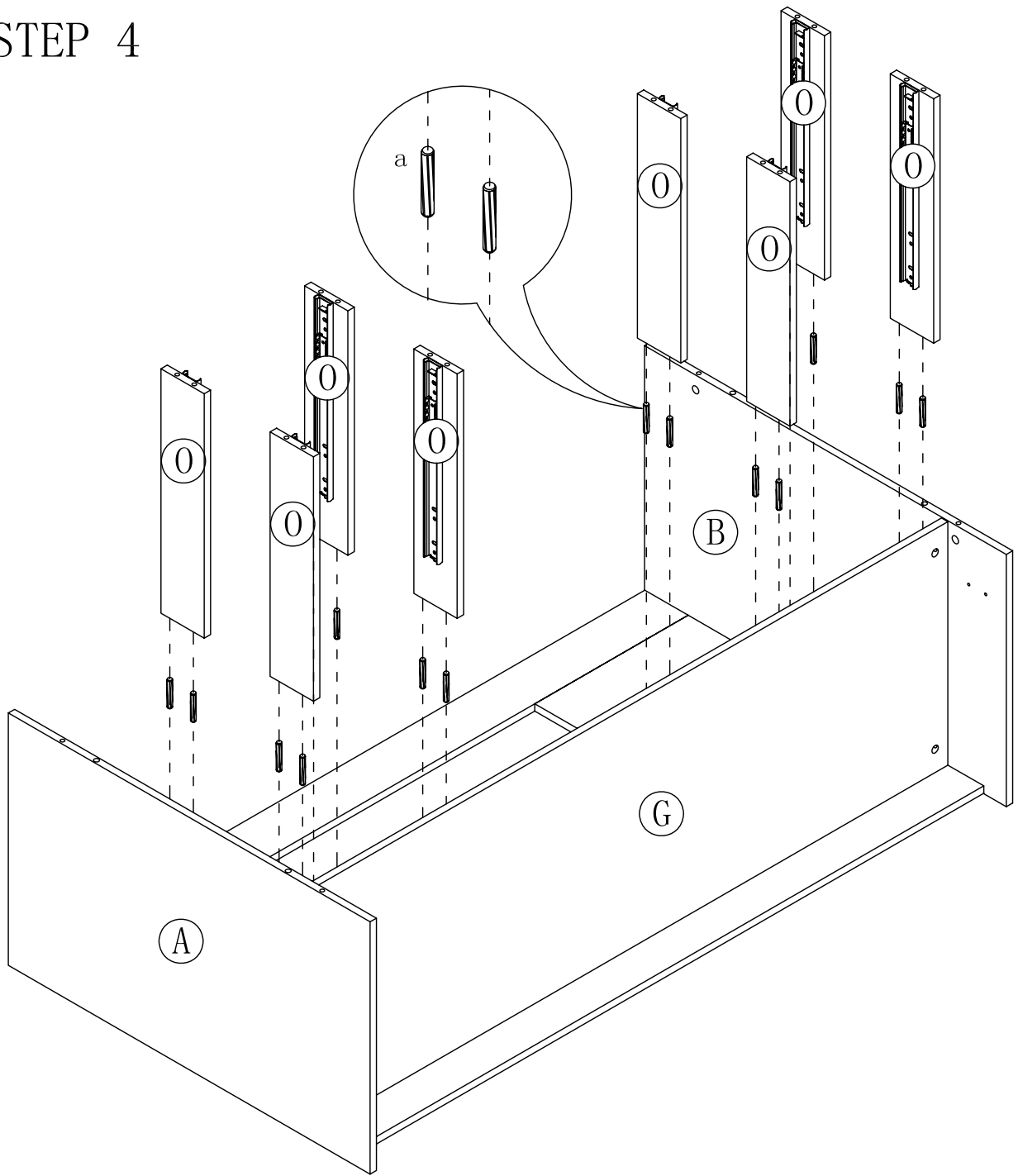
# STEP 2



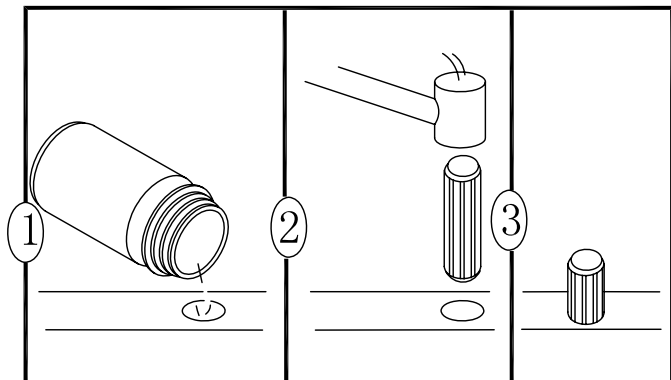
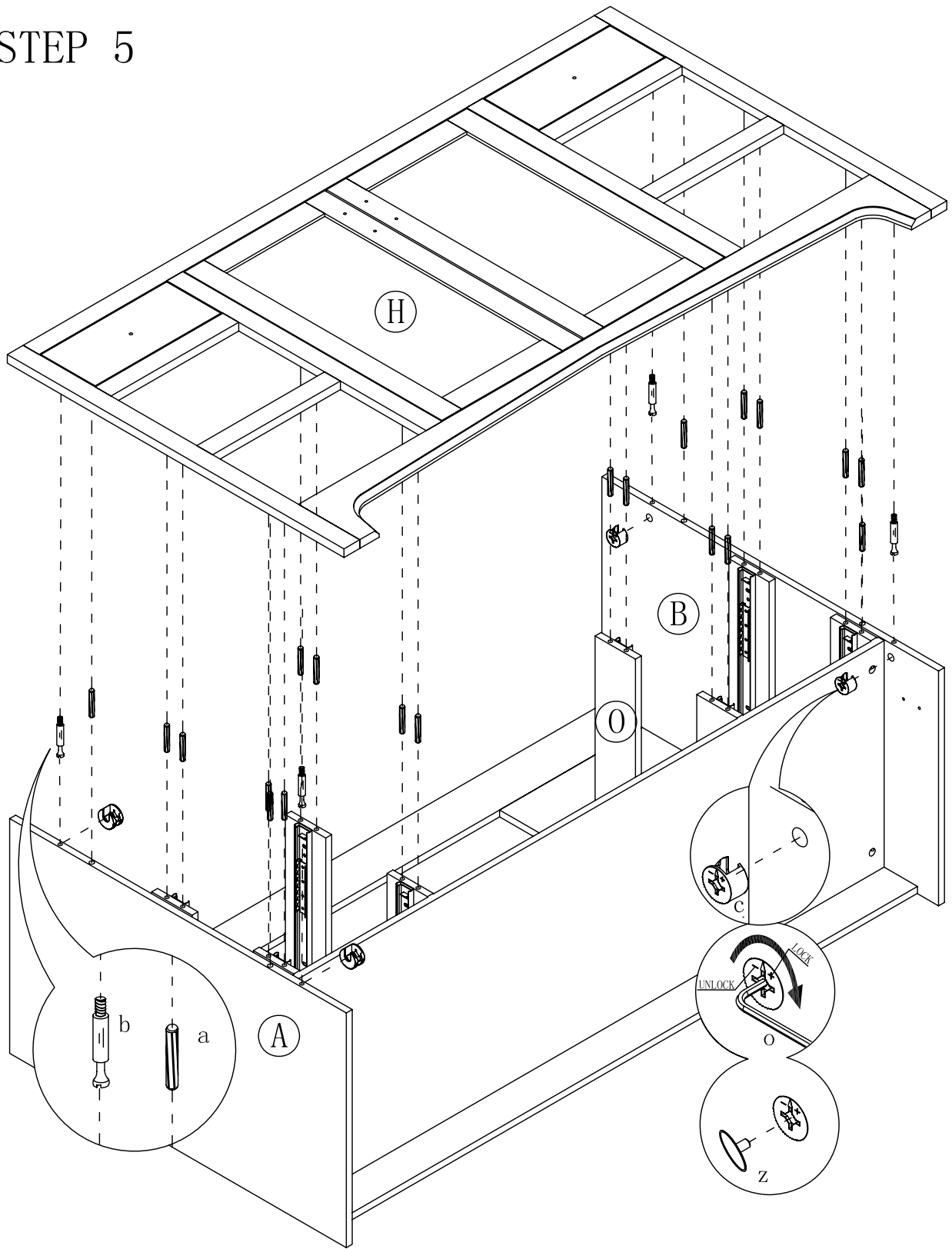
# STEP 3



# STEP 4

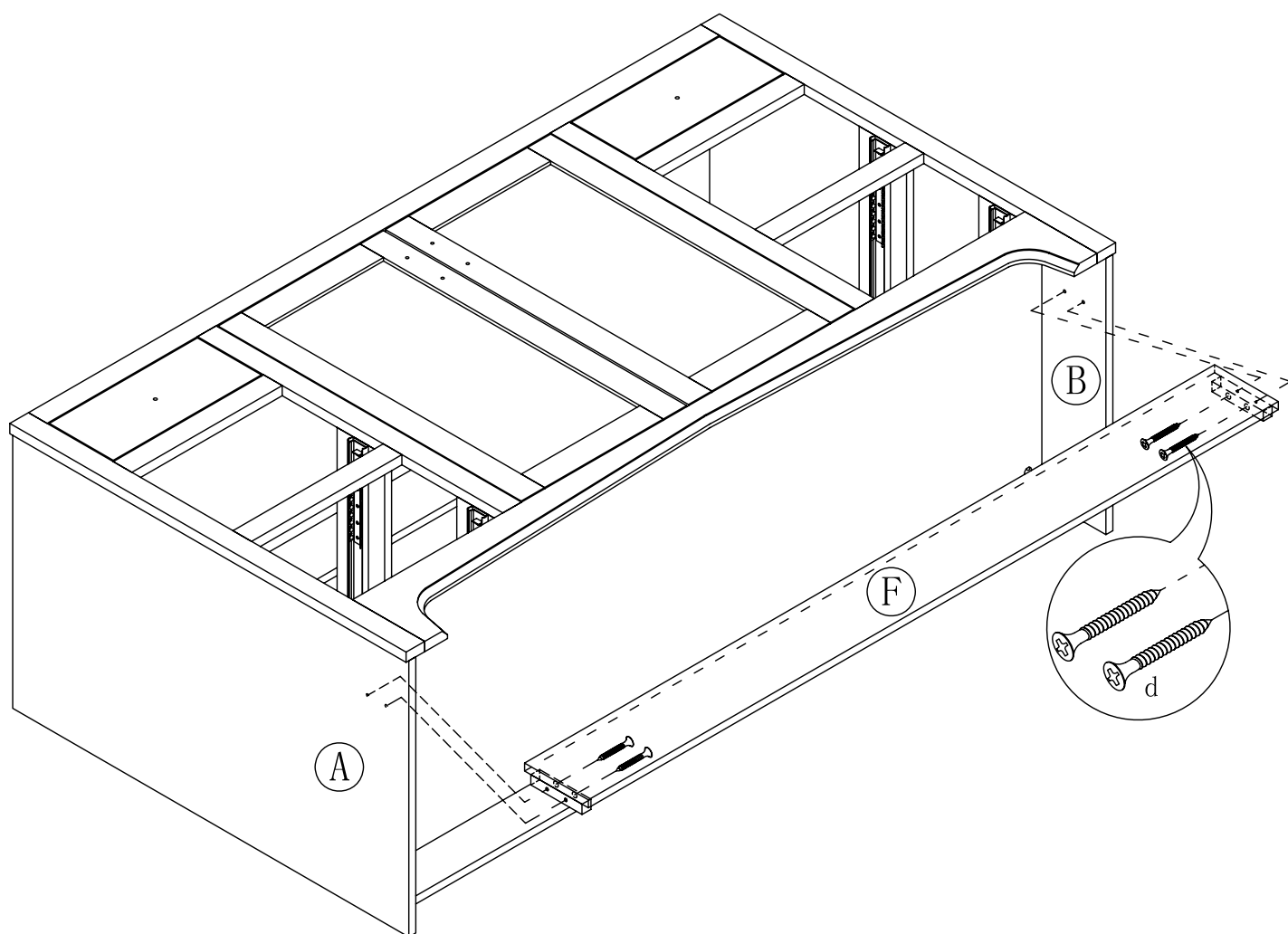


# STEP 5

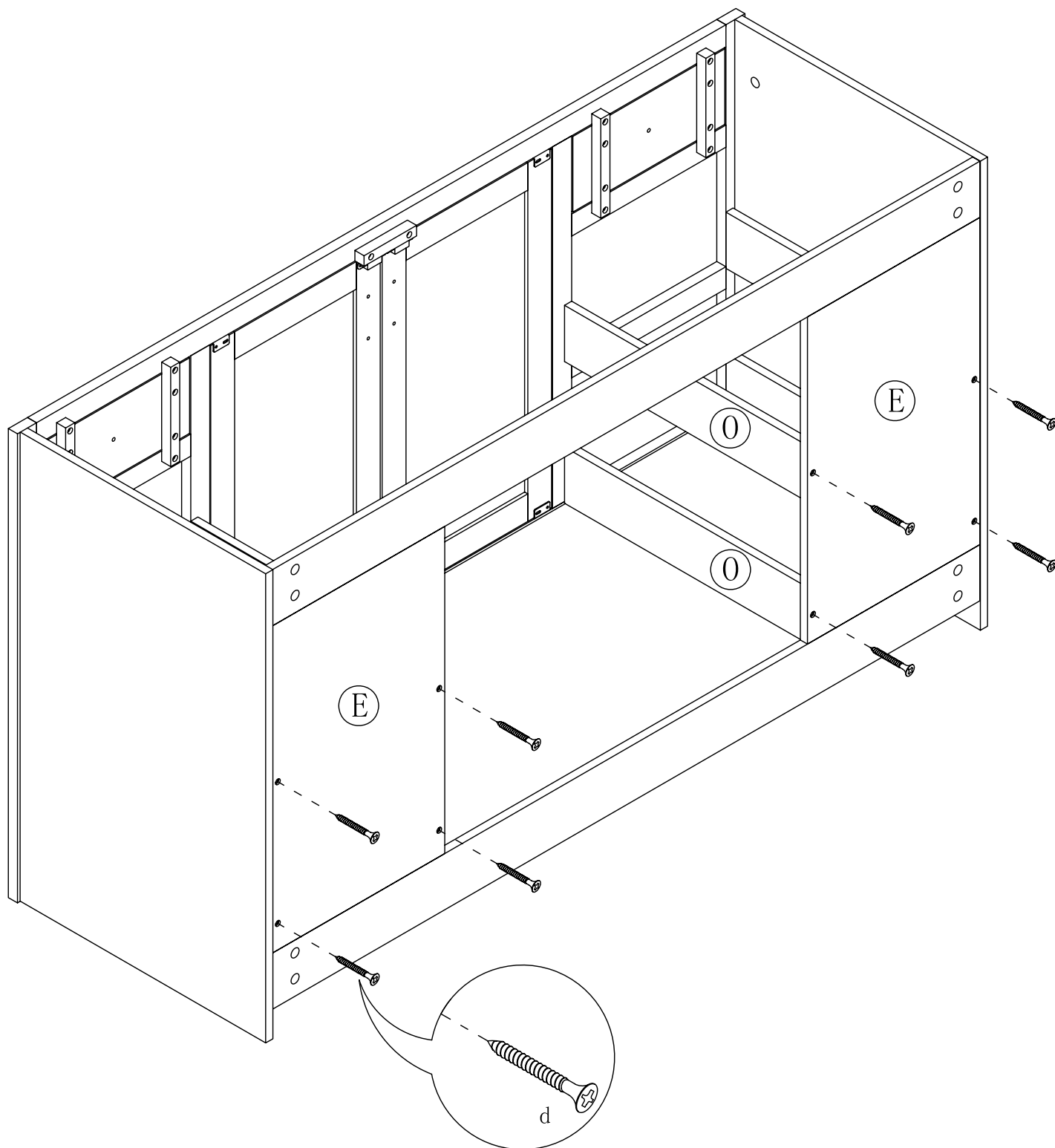




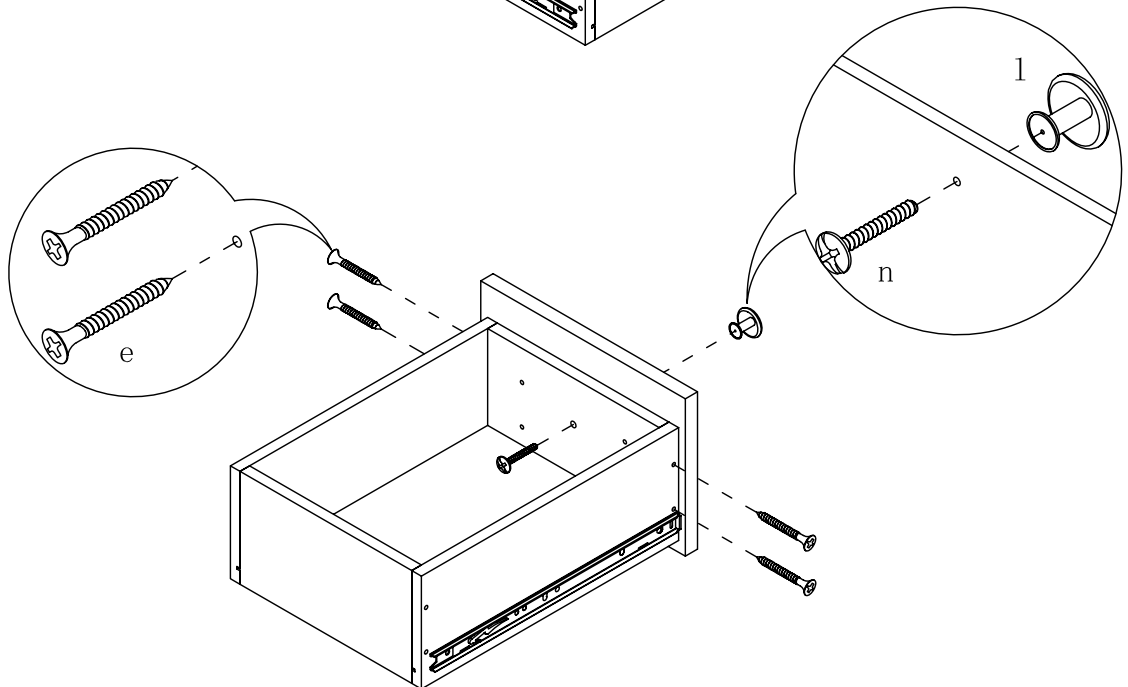
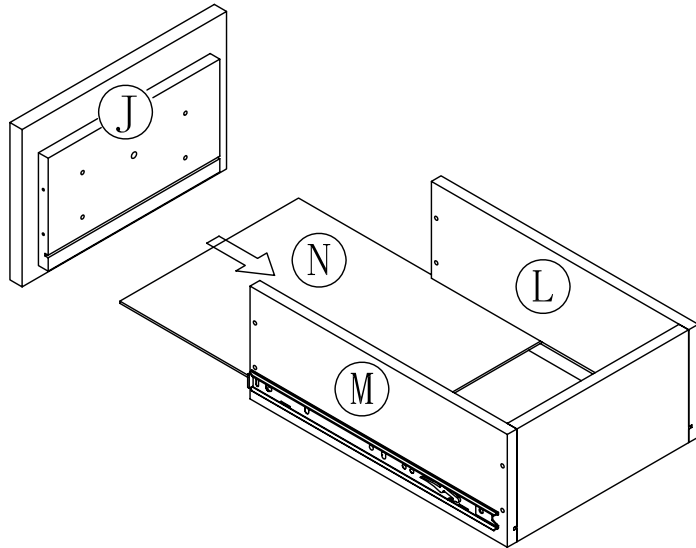
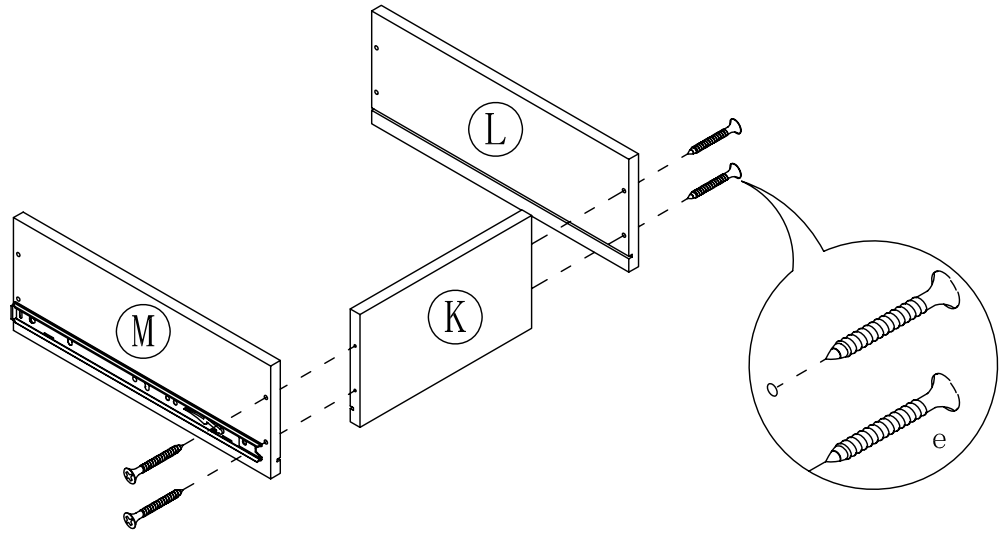
# STEP 6



# STEP 7



# STEP 8



# STEP 9

