



Dual Service Faucets

Dual service turret with 2 ball valve hose cocks at 90 °

Model No: W6805CW/CW

COMPLIES WITH:

- CGA/AGA approved and tested to ANSI Z-21.15.92 and CAN/CGA 3.16-M88 for use with natural and propane gases.
- Lever handle on ball valves meets ADA 5 lb. force pressure requirements
- (Contact Delta Representative for State and/or Local Approvals)

SPECIFICATION:

- Forged brass turret with dual shank inlets at 30mm(1 3/16") centers-each inlet supplies 1 or 2 hose cocks
- Undermount base plate for securing to mounting surface
- Ball valve hose cock(s)
- Floating ball-type design
- Universal 10 serration vandal resistant nozzle with 3.2mm(1/8") outlet-removable with flat on one side
- Forged brass non-removable vandal resistant handle(ADA compliant)-obvious on/off positions
- O-ring seals
- Check piston located in nozzle to prevent contamination of service lines and valve sealing surfaces(with exception of vacuum service)
- Vacuum valves supplied with corrosion resistant ball and viton o-rings for improved durability
- Rated to maximum 125 psi testing pressure
- Coloured index button to suit desired service
- Maintenance free-no need to regrease sealing surfaces or take valve apart
- 10 year warranty-every ball valve carries its date of manufacture on the underside of the body
- Dual service turret with 2 ball valve hose cocks at 90 °
- Chrome Finish
- Assembled Shank:
- Indexed For: CW - Cold Water(Green)-80 psi max, CW - Cold Water (Green)-80 psi max

OPERATION:

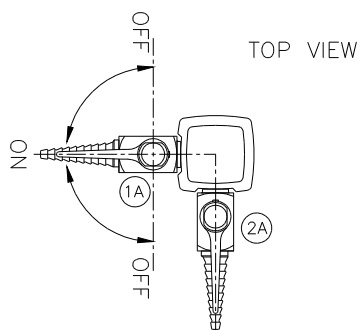
- Not Available

(Dimensional drawing on following page)

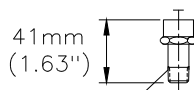
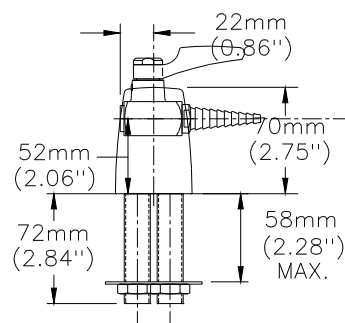
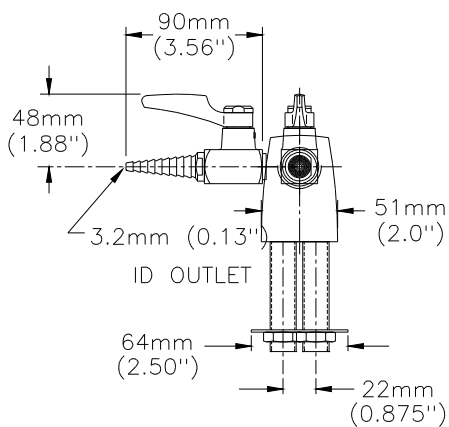
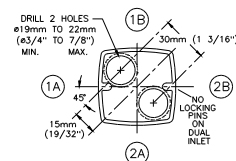
Delta reserves the right (1) to make changes to specifications and materials, and (2) to change or discontinue models, both without notice or obligation. Dimensions are for reference. Measurement may vary plus or minus 6mm(0.25"). Mounting locations are suggested only. Check with local codes for requirements in your area.

Delta Faucet Company - 55 East 111th St. - Indianapolis, Indiana, USA 46280 - (317) 848-1812
Delta Faucet Canada - 395 Matheson Blvd E - Mississauga, Ontario, Canada L4Z 2H2 - (905) 712-3030

Model No: W6805CW/CW



DRILLING TEMPLATE



DRILL 2 HOLES
19mm (0.75 inches)
MINIMUM

NOTE: NO LOCKING PINS
1/4" NPT

Delta reserves the right (1) to make changes to specifications and materials, and (2) to change or discontinue models, both without notice or obligation. Dimensions are for reference. Measurement may vary plus or minus 6mm(0.25"). Mounting locations are suggested only. Check with local codes for requirements in your area.