



## Hose Cocks

Two needle valves assembled at 90 deg. in deckmount turret-assembled shank-brass locknut  
raised lockwasher for positive grip- vandal resistant  
locking pins on turret(can be removed in field if not required)

## Model No: W6224ST

### COMPLIES WITH:

- CSA approved to CAN/CSA B125 with compliance to ANSI/ASME A112.18.1M.
- (Contact Delta Representative for State and/or Local Approvals)

### SPECIFICATION:

- Needle hose cock
- Renewable structure containing floating stainless steel needle and renewable seat
- Universal 10 serration nozzle with 3.2mm(1/8")outlet-non-removable
- Provides fine control-3 full turns to open
- Exponential rate of change in flow throughout handle turning range
- Two needle valves assembled at 90 deg. in deckmount turret-assembled shank-brass locknut, raised lockwasher for positive grip- vandal resistant locking pins on turret(can be removed in field if not required)
- Chrome Finish
- Handle#: A - Black Plastic Handle
- Assembled Shank: Shank (L)
- Overall length 4.44" [was SH1](2.84" exposed)
- Indexed For: ST - Steam(Black)
- Shank With 1/4" IP tailpiece and coupling nut(Standard)

### OPERATION:

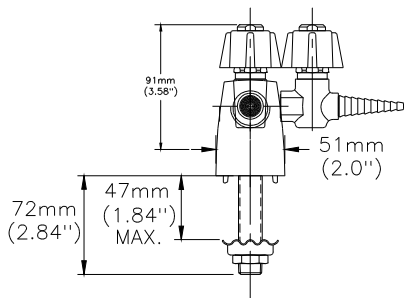
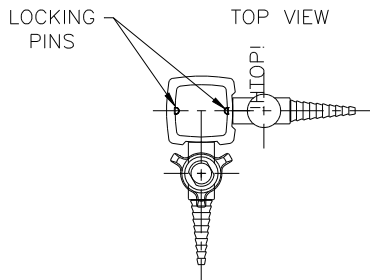
- Not Available

***(Dimensional drawing on following page)***

Delta reserves the right (1) to make changes to specifications and materials, and (2) to change or discontinue models, both without notice or obligation. Dimensions are for reference. Measurement may vary plus or minus 6mm(0.25"). Mounting locations are suggested only. Check with local codes for requirements in your area.

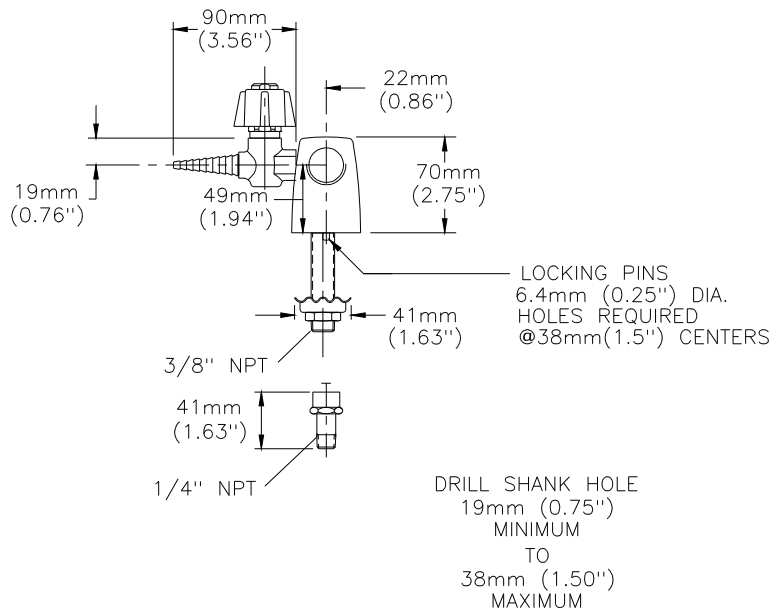
Delta Faucet Company - 55 East 111th St. - Indianapolis, Indiana, USA 46280 - (317) 848-1812  
Delta Faucet Canada - 395 Matheson Blvd E - Mississauga, Ontario, Canada L4Z 2H2 - (905) 712-3030

Model No: W6224ST



(NON-REMOVABLE NOZZLE)  
3.2mm(0.13") ID OUTLET

NOTE ALIGNMENT OF  
LOCKING PINS TO  
ORIENTATION OF  
OUTLET HOLES.



Delta reserves the right (1) to make changes to specifications and materials, and (2) to change or discontinue models, both without notice or obligation. Dimensions are for reference. Measurement may vary plus or minus 6mm(0.25"). Mounting locations are suggested only. Check with local codes for requirements in your area.

Delta Faucet Company - 55 East 111th St. - Indianapolis, Indiana, USA 46280 - (317) 848-1812  
Delta Faucet Canada - 395 Matheson Blvd E - Mississauga, Ontario, Canada L4Z 2H2 - (905) 712-3030