



Mixing Faucets

Deckmount mixing faucet with rigid/swivel spout-2 hole installation at 2 3/4" centers

Model No: W6700-10

COMPLIES WITH:

- CSA approved to CAN/CSA B125 with compliance to ANSI/ASME A112.18.1M.
- Meets ADA 5lb. force pressure requirements when 2 3/4" or 4" lever blade handle is used.
- In-line Vacuum Breaker tested and certified under ANSI/ASSE Std. 1035 "Laboratory Faucet Vacuum Breakers". Listed by IAPMO. CSA approved to CAN/CSA B64.1.7
- Angle Vacuum Breaker tested and approved in conformance with ASSE Std. 1001 and ANSI A112.1.1 and CSA B64.1.1
- (Contact Delta Representative for State and/or Local Approvals)
- Certified under ANSI/ASSE Standard 1001 and CSA Standard B64.1.1

SPECIFICATION:

- Deckmount mixing faucet for 2 hole installation at 2.75" centers(Maximum 1 1/4" dia. hole size)
- Field installation of spout as rigid or swivel
- All brass body with vandal resistant dual shanks to prevent damage to counter top
- Assembled shanks
- Brass locknuts and raised lockwashers to provide positive gripping during installation
- Teck Lab compression structures
- Chrome plated brass renewable seats
- Deckmount mixing faucet with rigid/swivel spout-2 hole installation at 2 3/4" centers
- Chrome Finish
- Spout: R23 - 152 mm (6") Angle VB Spout
- Outlet: w/ 1/4" ID Serrated Nozzle Outlet(No Dash or -10 series)
- Handle#: B - Two Arm Metal
- Indexed For: CW/HW - Cold & Hot Water(Green & Red)

OPERATION:

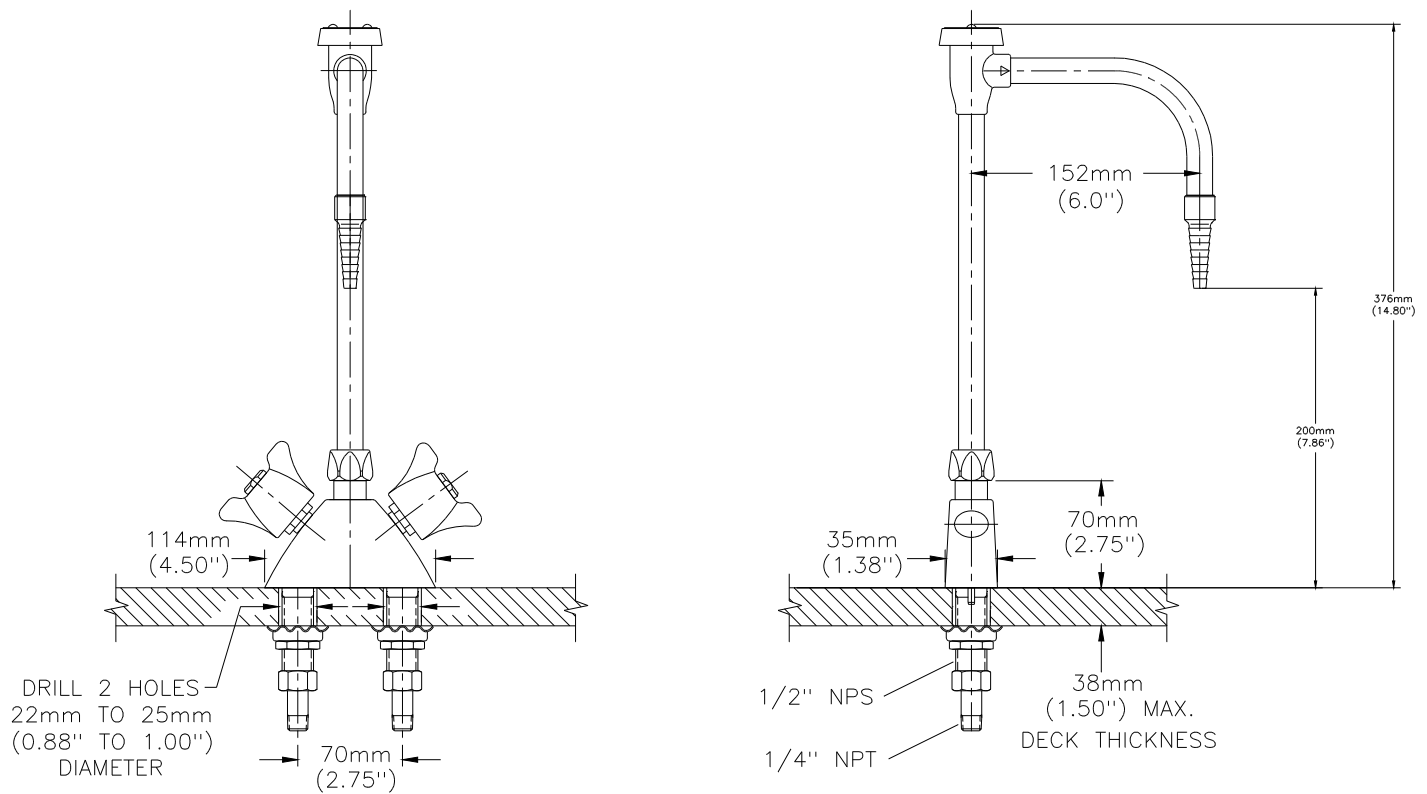
- Not Available

(Dimensional drawing on following page)

Delta reserves the right (1) to make changes to specifications and materials, and (2) to change or discontinue models, both without notice or obligation. Dimensions are for reference. Measurement may vary plus or minus 6mm(0.25"). Mounting locations are suggested only. Check with local codes for requirements in your area.

Delta Faucet Company - 55 East 111th St. - Indianapolis, Indiana, USA 46280 - (317) 848-1812
Delta Faucet Canada - 395 Matheson Blvd E - Mississauga, Ontario, Canada L4Z 2H2 - (905) 712-3030

Model No: W6700-10



Delta reserves the right (1) to make changes to specifications and materials, and (2) to change or discontinue models, both without notice or obligation. Dimensions are for reference. Measurement may vary plus or minus 6mm(0.25"). Mounting locations are suggested only. Check with local codes for requirements in your area.

Delta Faucet Company - 55 East 111th St. - Indianapolis, Indiana, USA 46280 - (317) 848-1812
 Delta Faucet Canada - 395 Matheson Blvd E - Mississauga, Ontario, Canada L4Z 2H2 - (905) 712-3030