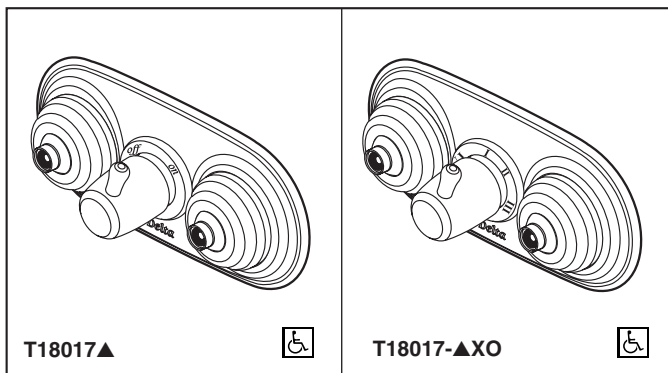




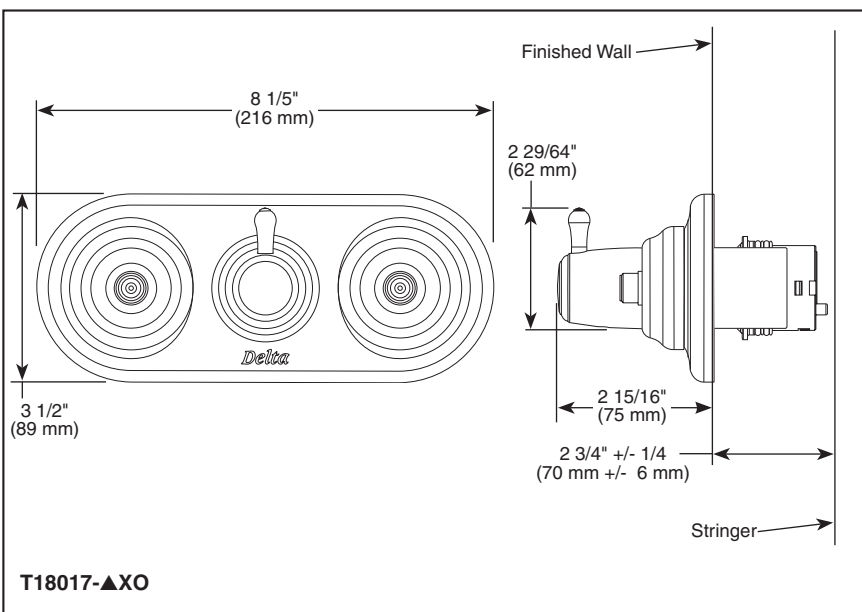
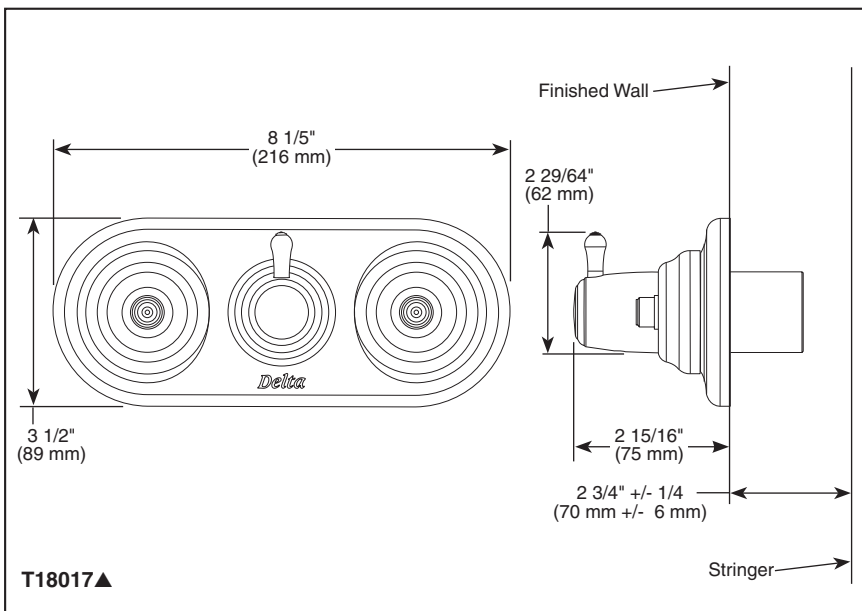
# CUSTOM SHOWER DIVERTER

- Innovations® Collection
- Jetted Shower Diverter Trim (T18017)
- Six Function Diverter Trim (T118017-XO)
- Coordinates With All Delta Innovations® Styled Bath Suites



Submitted Model No.: \_\_\_\_\_

Specific Features: \_\_\_\_\_



▲ Designate proper finish suffix

Delta reserves the right (1) to make changes in specifications and materials, and (2) to change or discontinue models, both without notice or obligation. Dimensions are for reference only. See current full-line price book or [www.specselect.com](http://www.specselect.com) for finish options and product availability.

DSP-B-T18017 Rev. A

## STANDARD SPECIFICATIONS

- Jetted shower - 2 individual positions, 1 shared position - On, or shower only Off.
- Six function diverter. 3 individual positions, 3 shared positions.
- 1/2" rough-in.
- Must also order R1827 or R1827-XO rough-in.

## WARRANTY

- Lifetime Faucet and Finish Limited Warranty to the original consumer purchaser to be free from defects in material and workmanship.
- 5 Year Limited Warranty for usage in all industrial, commercial and business applications.



## COMPLIES WITH:

- ASME A112.18.1 / CSA B125.1
- Indicates compliance to ICC/ANSI A117.1

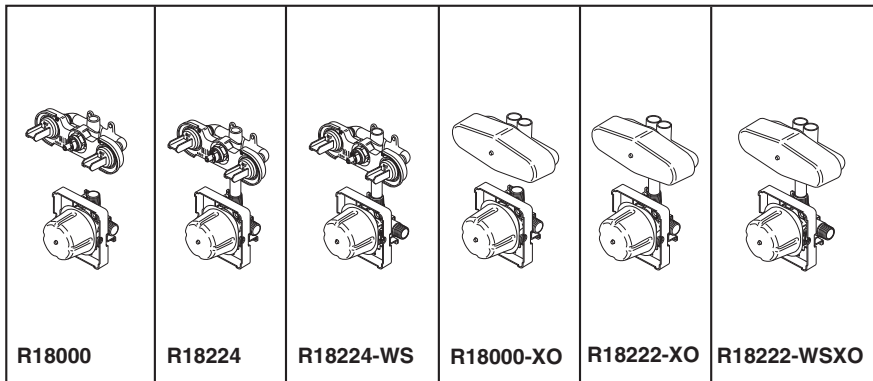


55 E. 111th Street, Indianapolis, Indiana 46280  
 395 Matheson Blvd. E., Mississauga, ON L4Z 2H2  
 © 2010 Masco Corporation of Indiana



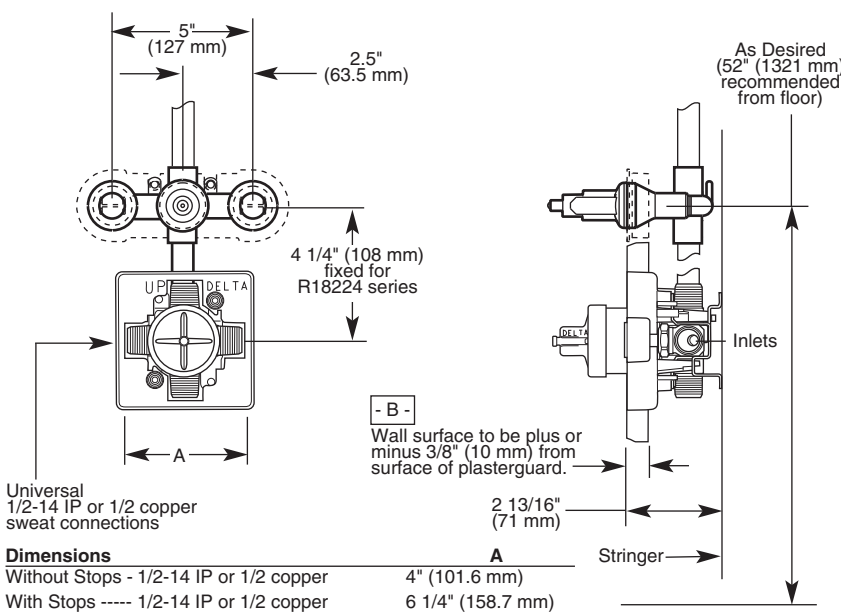
# JETTED SHOWER™ ROUGH VALVE BODY

- Shower Only (R18000 & R18224)
- Shower and Extra Outlet (R18000-XO & R18222-XO)

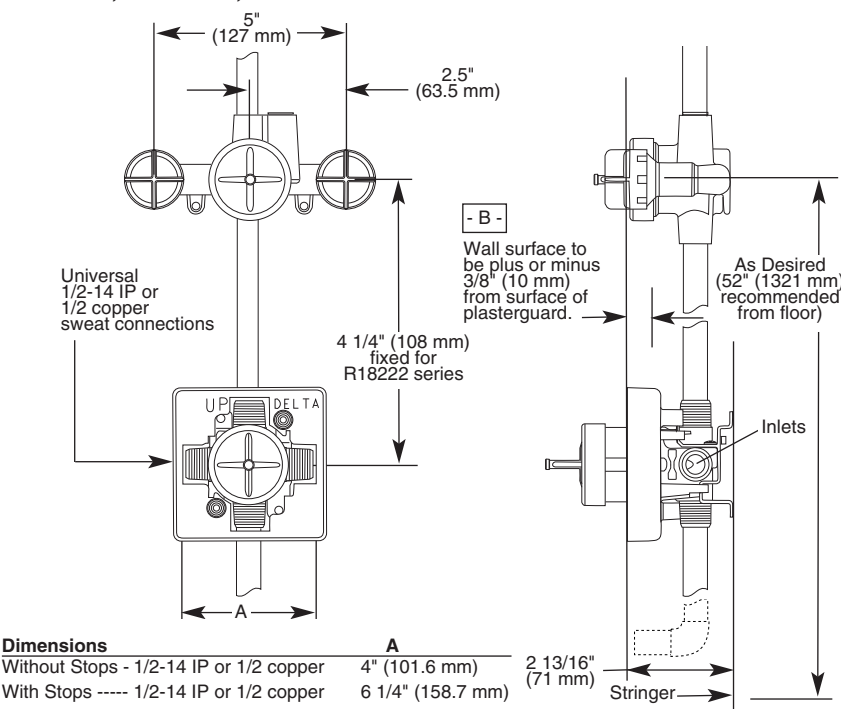


Submitted Model No.: \_\_\_\_\_  
 Specific Features: \_\_\_\_\_

### R18000, R18224, R18224-WS



### R18000-XO, R18222-XO, R18222-WSXO



### STANDARD SPECIFICATIONS:

- Brass body.
- Back-to-back installation capability.
- Can be tested with air (200 psi) or water (300 psi) without cartridge using supplied test cap.
- Adjusts for up to 3/4" wall thickness.
- Extra outlet models (XO) include 3 port, six position diverter.
- R18222 and R18224 include prefabricated valve and jet module.
- R18000 and R18000-XO include separately plumbed valve and jet module.
- For use with Multi Choice Universal 18 Series and 18T Series Jetted Shower™ trim. Monitor® 17 Series dual function pressure balanced cartridge ships with 18 Series trim. 17T Series dual function thermostatic cartridge ships with 18T Series trim.

### WARRANTY

- Lifetime Faucet and Finish Limited Warranty to the original consumer purchaser to be free from defects in material and workmanship.
- 5 Year Limited Warranty for usage in all industrial, commercial and business applications.



### COMPLETE VALVE COMPLIES WITH:

- ASME A112.18.1 / CSA B125.1



Indianapolis, Indiana 46280  
 A Division of Masco Corporation of Indiana  
 © 2009 Masco Corporation of Indiana

Delta reserves the right (1) to make changes in specifications and materials, and (2) to change or discontinue models, both without notice or obligation. Dimensions are for reference only. See current full-line price book or www.specselect.com for finish options and product availability.  
 DSP-B-R18000 Rev. A

Submitted Model No.: \_\_\_\_\_

Specific Features: \_\_\_\_\_



# PERSONAL HAND HELD SHOWERS

|  |  |  |   |   |
|--|--|--|---|---|
| <p><b>57011▲ 2.0 GPM</b></p> <p>24" (610mm)<br/>69" (1753 mm)</p> <p>Full Body Spray</p>   | <p><b>57014▲ 2.5 GPM</b></p> <p>24" (610mm)<br/>69" (1753 mm)</p> <p>Full Body Spray<br/>Accepts 1/2" - 14 NPSM Male<br/>Massage Spray<br/>Full Spray w/Massage<br/>Soft Drench Spray<br/>Soft Drench Spray w/ Massage</p> | <p><b>57021▲ 2.5 GPM</b></p> <p>24" (610mm)<br/>69" (1753 mm)</p> <p>Full Body Spray<br/>Accepts 1/2" - 14 NPSM Male<br/>Massage Spray<br/>Full Spray w/Massage<br/>Soft Drench Spray<br/>Soft Drench Spray w/ Massage</p> |   |   |
| <p><b>57051▲ 2.0 GPM</b></p> <p>25 3/4" (654 mm)<br/>69" (1753 mm)</p> <p>Full Body Spray</p> <p>Accepts 1/2" - 14 NPSM Male</p> | <p><b>57085▲ 2.5 GPM</b></p> <p>24" (610mm)<br/>69" (1753 mm)</p> <p>Full Body Spray</p> <p>Accepts 1/2" - 14 NPSM Male</p>  | <p><b>55021▲ 2.5 GPM</b></p> <p>69" (1753 mm)</p> <p>Full Body Spray<br/>Massage Spray<br/>Full Spray w/Massage<br/>Soft Drench Spray<br/>Soft Drench Spray w/ Massage</p> <p>Accepts 1/2" - 14 NPSM Male</p>              |   |   |
| <p><b>55011▲ 2.0 GPM</b></p> <p>69" (1753 mm)</p> <p>Full Body Spray</p> <p>Accepts 1/2" - 14 NPSM Male</p>                      | <p><b>55013▲ 2.0 GPM</b></p> <p>69" (1753 mm)</p> <p>Full Body Spray</p> <p>Accepts 1/2" - 14 NPSM Male</p>  | <p><b>55020▲ 2.0 GPM</b></p> <p>69" (1753 mm)</p> <p>Full Body Spray</p> <p>Accepts 1/2" - 14 NPSM Male</p>  | <p><b>55051▲ 2.0 GPM</b></p> <p>69" (1753 mm)</p> <p>Full Body Spray</p> <p>Accepts 1/2" - 14 NPSM Male</p> | <p><b>55085▲ 2.5 GPM</b></p> <p>69" (1753 mm)</p> <p>Full Body Spray</p> <p>Accepts 1/2" - 14 NPSM Male</p> |

- 69" (1753 mm) Flexible Hose w/Brass Connections
- Certified Dual Check Valves
- 24" Wall Bar or Handshower
- Wall Mount Handshower

### STANDARD SPECIFICATIONS:

- ABS hand held shower with one or five settings – not a positive shut-off.
- 69" (1753 mm) flexible hose.
- Certified dual check valves for backflow protection.
- 24" (610 mm) wall bar with adjustable slide (allows for adjustable shower height) - 57011, 57014, 57021, 57051 and 57085 only. Not to be used as a Grab Bar. Not ADA compliant.
- Wall mount bracket - 55011, 55013, 55020, 55051 and 55085 only.
- 2.5 gpm @ 80 psi (9.5 L/min @ 552 kPa).
- 2.0 gpm @ 80 psi (7.6 L/min @ 552 kPa).

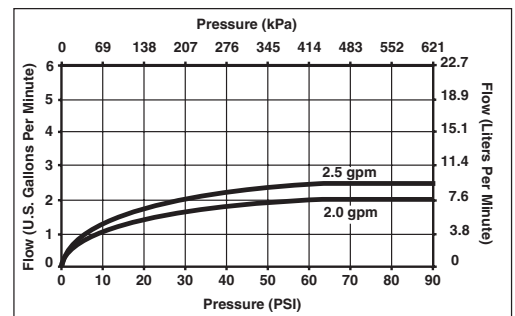
### WARRANTY

- Lifetime Faucet and Finish Limited Warranty to the original consumer purchaser to be free from defects in material and workmanship.
- 5 Year Limited Warranty for usage in all industrial, commercial and business applications.



### COMPLIES WITH:

- ASME A112.18.1/CSA B125.1 ◆
- \* As noted



▲ Designate proper finish suffix

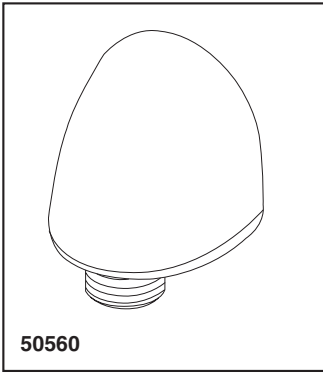
◆ Your Delta Faucet hand shower incorporates a backflow protection system that has been tested to be in compliance with ASME A112.18.3 and ASME A112.18.1/CSA B125.1. It incorporates two certified check valves in series, which operate independently and are integral, non-serviceable parts of the wand assembly.



55 E. 111th Street, Indianapolis, Indiana 46280  
350 South Edgeware Road, St. Thomas, ON N5P 4L1  
© 2011 Masco Corporation of Indiana

Delta reserves the right (1) to make changes in specifications and materials, and (2) to change or discontinue models, both without notice or obligation. Dimensions are for reference only. See current full-line price book or www.specselect.com for finish options and product availability.

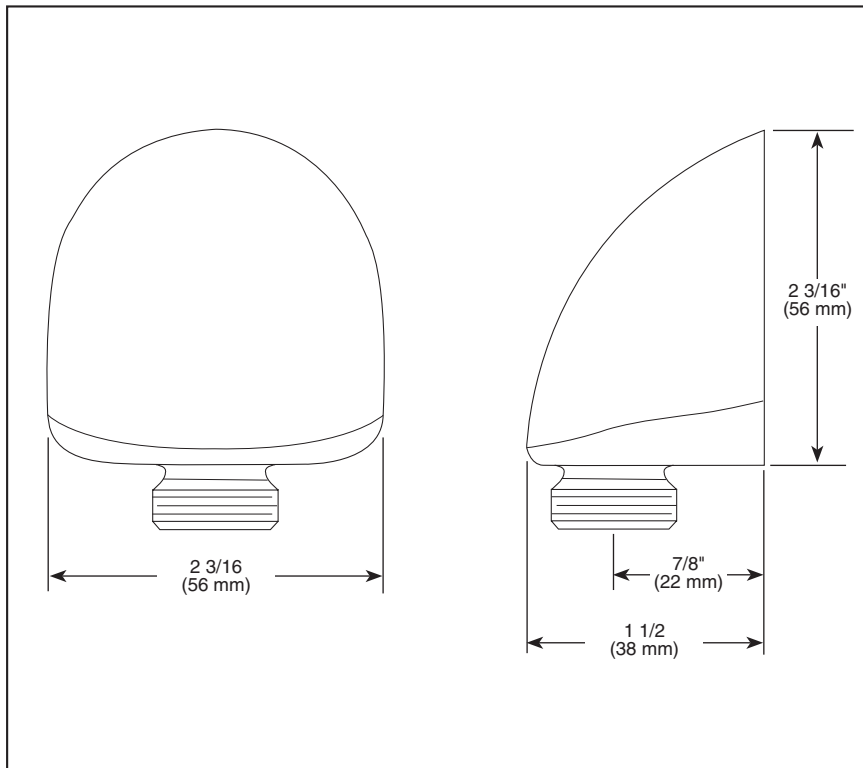
DSP-B-55011 Rev. B



## ELBOW

Submitted Model No.: \_\_\_\_\_

Specific Features: \_\_\_\_\_



### STANDARD SPECIFICATIONS

- Solid brass construction.
- 1/2" female NPT inlet.
- 1/2" male NPSM outlet for connecting to shower hoses.

### WARRANTY

- Lifetime Faucet and Finish Limited Warranty to the original consumer purchaser to be free from defects in material and workmanship.
- 5 Year Limited Warranty for usage in all industrial, commercial and business applications.

### COMPLIES WITH:

- ASME A112.18.1 / CSA B125.1

Delta reserves the right (1) to make changes in specifications and materials, and (2) to change or discontinue models, both without notice or obligation. Dimensions are for reference only. See current full-line price book or [www.specselect.com](http://www.specselect.com) for finish options and product availability.

DSP-B-50560 Rev. A

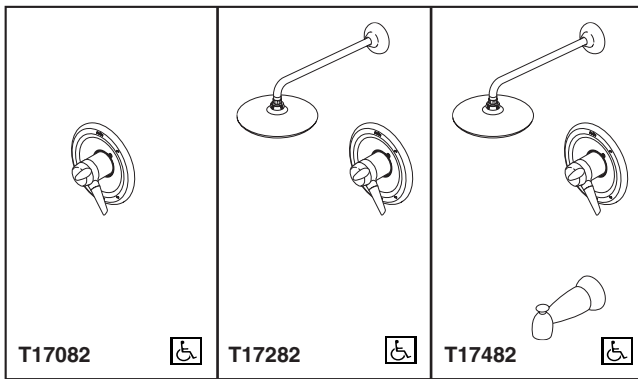


55 E. 111th Street, Indianapolis, Indiana 46280  
 350 South Edgeware Road, St. Thomas, ON N5P 4L1  
 © 2012 Masco Corporation of Indiana



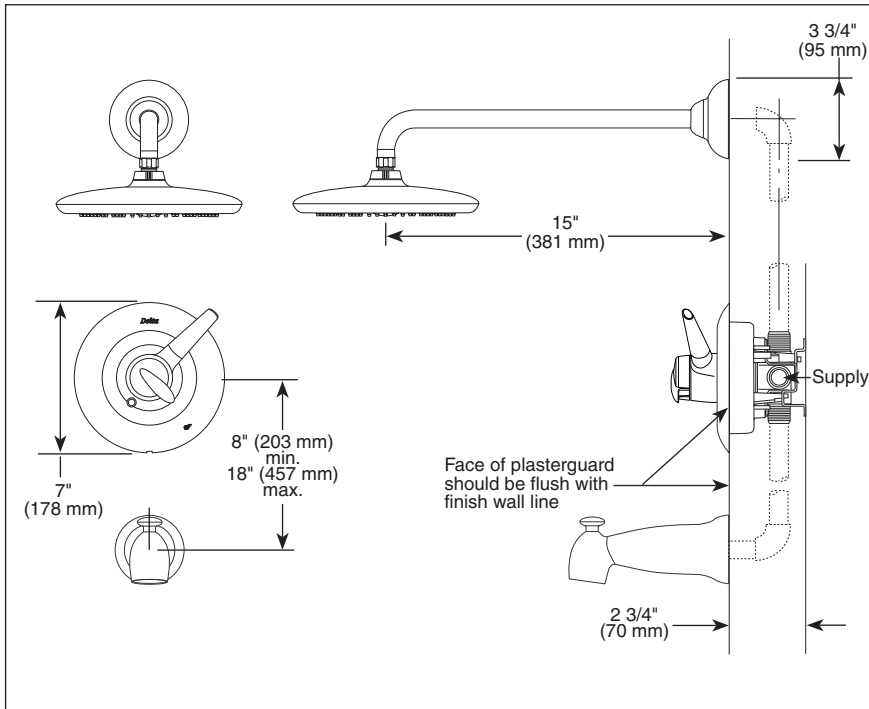
# TUB AND SHOWER FAUCET TRIM

- Rhythm® Bath Collection
- Valve Only (T17082 Series)
- Shower Only (T17282 Series)
- Tub/Shower (T17482 Series)

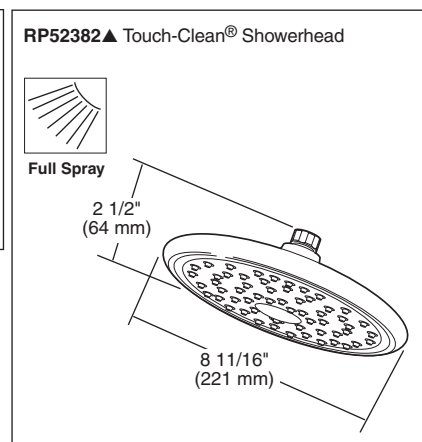
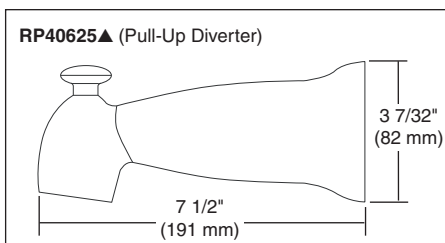


Submitted Model No.: \_\_\_\_\_

Specific Features: \_\_\_\_\_



▲ = Designate Proper Finish Suffix



## STANDARD SPECIFICATIONS:

- Monitor® 17 Series pressure balanced bath mixing valve with Scald-Guard®.
- Maintains a balanced pressure of hot and cold water even when a valve is turned on or off elsewhere in the system.
- For use with MultiChoice™ Universal rough valve body. (R10000 Series)
- Back-to-back installation capability.
- Solid brass forged body.
- Lever volume control handle; temperature adjustment dial.
- Field adjustable to limit handle rotation into hot water zone.
- Maximum dial rotation adjustable between 90° and 180°.
- All parts replaceable from the front of the valve.

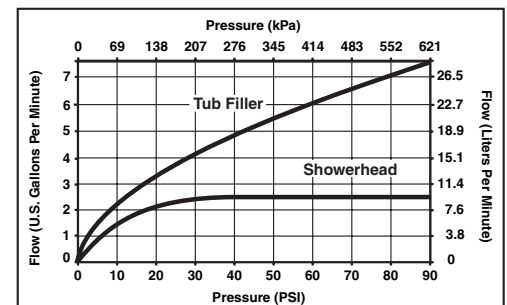
## WARRANTY

- Lifetime Faucet and Finish Limited Warranty to the original consumer purchaser to be free from defects in material and workmanship.
- 5 Year Limited Warranty for usage in all industrial, commercial and business applications.



## COMPLIES WITH:

- ASME A112.18.1 / CSA B125.1
- ASSE 1016
- Indicates compliance to ICC/ANSI A117.1



Delta reserves the right (1) to make changes in specifications and materials, and (2) to change or discontinue models, both without notice or obligation. Dimensions are for reference only. See current full-line price book or [www.specselect.com](http://www.specselect.com) for finish options and product availability.

55 E. 111th Street, Indianapolis, Indiana 46280  
 395 Matheson Blvd. E., Mississauga, ON L4Z 2H2  
 © 2009 Masco Corporation of Indiana