

Specification: (example)

(FOR 1-1/2" BACK INLET CLOSET FIXTURE)

- Quiet action, TECK® exposed diaphragm flush valve
- Chloramine resistant diaphragm
- Forged brass diaphragm retainer
- Renewable seat
- Polished chrome plated finish
- **External water conserving flush volume adjustment**, (except -48 and -6 models) factory set at 60 PSI to 6 litre (1.6 US gal.)
- Vandal resistant cover screw
- Metal "non hold open" handle
- **1" FIP/copper sweat inlet adaptor** angle check stop with protecting cap
- Adjustable 121mm (4-3/4") plus or minus 11mm (7/16") inlet/valve outlet centers
- Vacuum breaker
- Cover tube and SIS wall flange, spud flange and concealed spud nut



81T271



☐ **81T271**

As above

☐ **81T271-1**

Same as 81T271 but with trap seal primer tee

☐ **81T271-5**

Same as 81T271 but with center cover bumper

☐ **81T271-6**

Same as 81T271, but **Not Field Adjustable**

☐ **81T271-48**

Same as 81T271, but factory set at 60 PSI to 4.8 litre (1.27 US gal.),

Not Field Adjustable

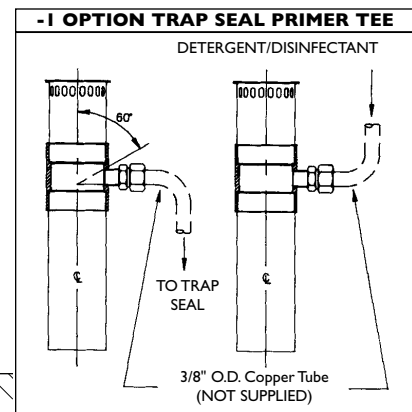
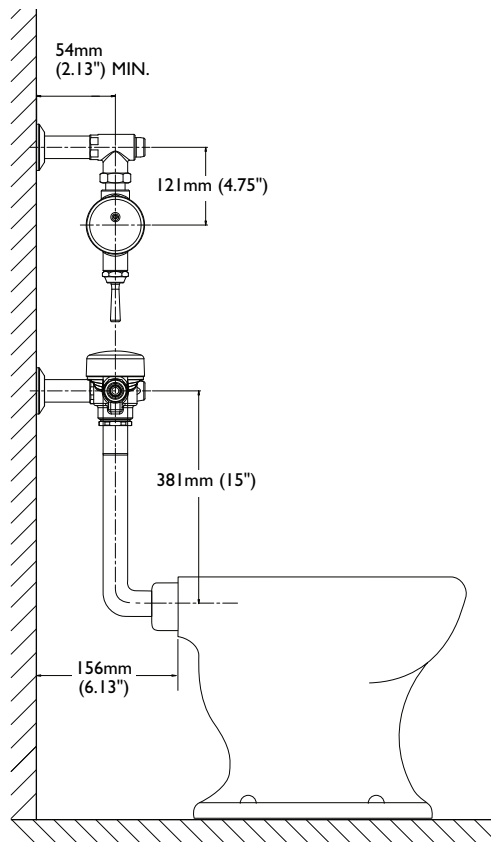
☐ **81T271-56**

Same as 81T271-5, but **Not Field Adjustable**

☐ **81T271-548**

Same as 81T271-5, but factory set at 60 PSI to 4.8 litre (1.27 US gal.),

Not Field Adjustable



Note: For high and low pressure applications, please see page FEA-81T High Water Pressure note for more details.
Verify flow requirements with bowl manufacturer.



Approvals:

- CSA certified
 - Complies to ASSE 1037
 - ADA compliant and meets Handicapped Accessibility Standard ASME A117.1 of less than 5 lbs. operating force.
 - IAPMO Listed
- (Contact Delta Representative for State and/or Local Approvals.)

Engineer/Architect Approval

Model Specified: _____

Approval: _____ Date: _____

Note: Measurements may vary ± 6mm (0.25")