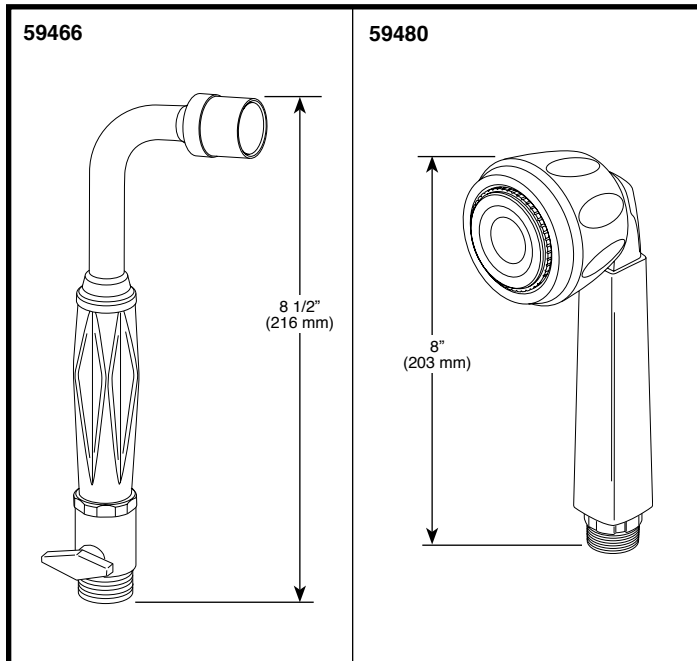


Submitted Model No.: _____

Specific Features: _____



STANDARD SPECIFICATIONS:

- No hose included.
- Easy-turn spray dial: 59480.
- Internal waterway: 59480
- Manufactured from brass and nylon components: 59466.
- Manufactured using metal and engineering grade plastics: 59480.
- 2.5 gpm @ 80 psi (9.5 L/min @ 550 kPa).

WARRANTY

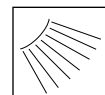
- Lifetime Faucet and Finish Limited Warranty to the original consumer purchaser to be free from defects in material and workmanship.
- 5 Year Limited Warranty for usage in all industrial, commercial and business applications.



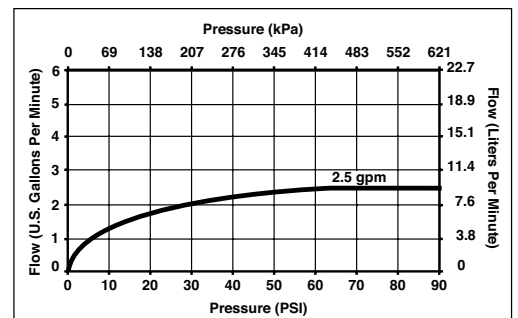
COMPLIES WITH:

- ASME A112.18.1/CSA B125.1

Spray Patterns



Full Body Spray



Delta reserves the right (1) to make changes in specifications and materials, and (2) to change or discontinue models, both without notice or obligation. Dimensions are for reference only. See current full-line price book or www.specselect.com for finish options and product availability.

DSP-S-59466 Rev. A



55 E. 111th Street, Indianapolis, Indiana 46280
350 South Edgeware Road, St. Thomas, ON N5P 4L1
© 2012 Masco Corporation of Indiana