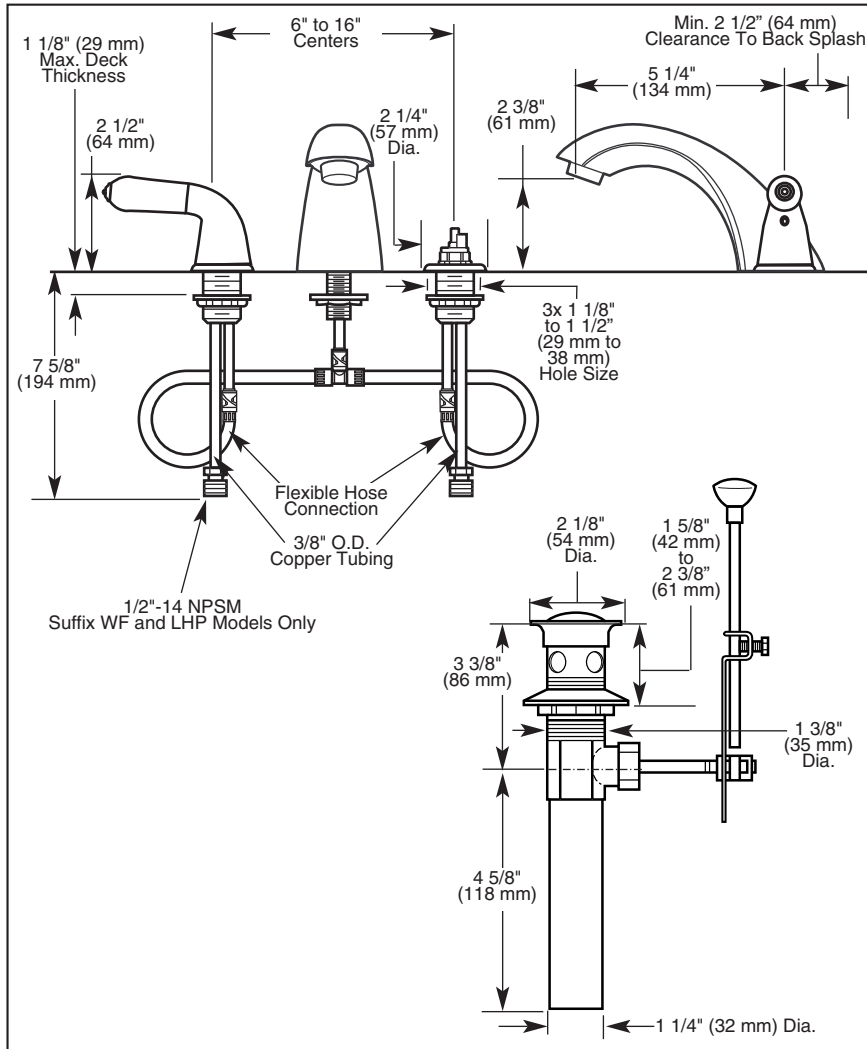


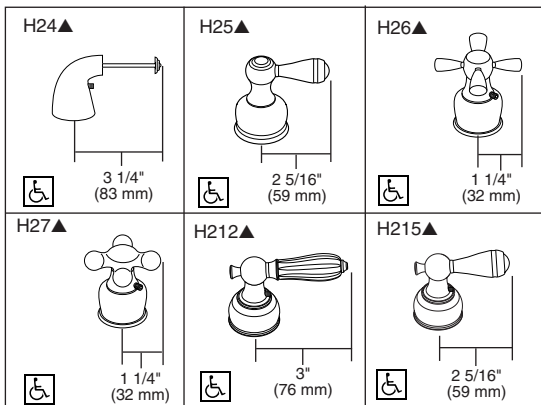
3530-LHP▲

Submitted Model No.: _____

Specific Features: _____



Available LHP Handle Options
▲ Designate proper finish suffix



Available LHP Handle Accent Options with Matching Lift Rod Knobs



DELTA LAVATORY FAUCETS

- Innovations® Series
- Two Handle Widespread Deck Mount
- 3 Hole Sink Applications
- 6" to 16" Centers
- Quick-Snap® Installation

STANDARD SPECIFICATIONS:

- Solid brass fabricated end valve and spout bodies.
- Widespread - 6" (152mm) to 16" (406 mm) centers.
- 5 1/4" (133 mm) long, 3 7/8" (98 mm) high, rigid spout.
- Quick-Snap® installation.
- LHP - Less Handle Program. See handle options below.
- 1/4 turn handle stops.
- Hot and cold stems are interchangeable.
- Control mechanism is the rotating cylinder type with stainless steel plate and 180° rotation, with replaceable non-metallic seats operating in stainless steel lined sockets.
- 3/8" O.D. copper supply tubes.
- Models with suffix "WF" and "LHP" supplied with 1/2"-14 NPSM adapters.
- Models have metal drain with pop-up type fitting with plated flange and stopper.
- Maximum flow rate 1.5 gpm @ 60 PSI.
- Note: Standard mounting deck thickness can be extended 1" with RP10612.

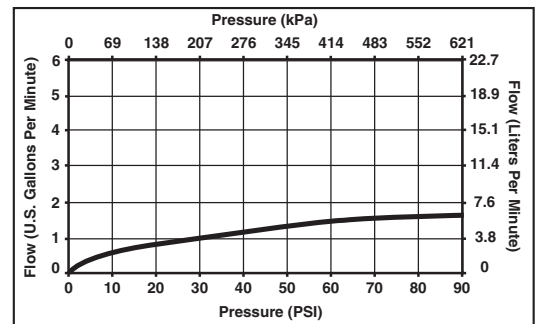
WARRANTY

- Lifetime Faucet and Finish Limited Warranty to the original consumer purchaser to be free from defects in material and workmanship.
- 5 Year Limited Warranty for usage in all industrial, commercial and business applications.



COMPLIES WITH:

- ASME A112.18.1 / CSA B125.1
- ASME A112.18.2 / CSA B125.2
- ICC/ANSI A117.1
- EPA WaterSense
- ASTM F409 (for non-metallic drain)



DELTA FAUCET COMPANY

55 E. 111th Street, Indianapolis, Indiana 46280
395 Matheson Blvd. E., Mississauga, ON L4Z 2H2
© 2009 Masco Corporation of Indiana