

# Single Pantry Faucet

TECK®

DELTA  
COMMERCIAL

**Specification: (example)**

- **CAST BRASS** single pantry faucet
- Polished chrome plated spout and trim
- TUF-TECK institutional structure
- Metal hold-down package
- ADA compliant color indexed vandal resistant, 70mm (2¾") metal lever blade handle

and ... with ... (add spout required)  
with ... (add outlet required)  
with ... (add handle required)



27T143



27T643

**Engineer/Architect Approval**











Model Specified:

Approval:

Date:

DESCRIPTION	PRODUCT NO.
Single Pantry Faucet	27T



SPOUT		OUTLET		HANDLE	
0	<input type="checkbox"/>	0	<input type="checkbox"/>	0	<input type="checkbox"/>
1	152mm (6") Wallform (S1) Swing Spout (2)  <input type="checkbox"/>	1	<input type="checkbox"/>	1	<input type="checkbox"/>
2	<input type="checkbox"/>	2	Vandal Resistant 1.5 USGPM (5.7 L/min.) Laminar w/Antimicrobial By AgION™  <input type="checkbox"/>	2	<input type="checkbox"/>
3	152mm (6") Tubular (S3) Swing Spout (2)  <input type="checkbox"/>	3	Vandal Resistant 1.5 USGPM (5.7 L/min.) Flow Control Aerator  <input type="checkbox"/>	3	70mm (2-3/4") Lever Blade Handle  <input type="checkbox"/>
4	<input type="checkbox"/>	4	Standard 1.5 USGPM (5.7 L/min.) Flow Control Aerator  <input type="checkbox"/>	4	<input type="checkbox"/>
5	<input type="checkbox"/>	5	Vandal Resistant 0.5 USGPM (1.9 L/min) Flow Control Non- Aerating Spray Outlet  <input type="checkbox"/>	5	<input type="checkbox"/>
6	114mm (4.5") Rigid/Swivel (R2) Gooseneck Spout (1)  <input type="checkbox"/>	6	<input type="checkbox"/>	6	<input type="checkbox"/>
7	<input type="checkbox"/>	7	Smooth End, Laminar Flow Control in Base of Gooseneck Spout 1.1 USGPM (4.2L/min.) (3)  <input type="checkbox"/>	7	<input type="checkbox"/>
8	<input type="checkbox"/>	8	<input type="checkbox"/>	8	70mm (2-3/4") Self-closing Lever Blade Handle  <input type="checkbox"/>
9	<input type="checkbox"/>	9	<input type="checkbox"/>	9	<input type="checkbox"/>

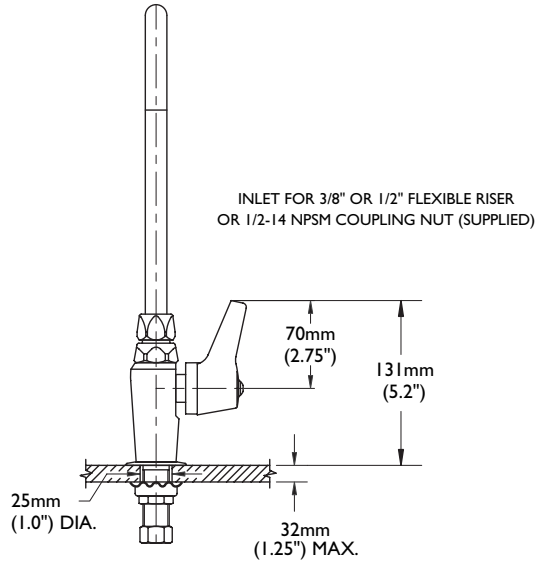
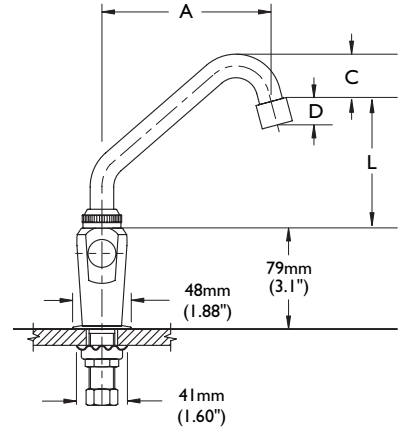
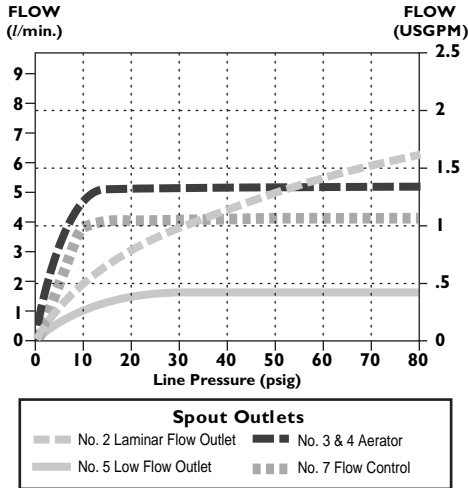
(1) See Page 9.C.1 for **Optional Rigid/Swivel Spouts**. These spouts can ONLY be added to **SPOUT Option No. 6**.  
(2) See Page 9.C.2 for **Optional Swing Spouts**. These spouts can ONLY be added to **SPOUT Option No. 3**.  
(3) This outlet can ONLY be added to **SPOUT No. 6**.

Flowrates are at 60 PSI  
Refer to [www.specselectonline.com](http://www.specselectonline.com) for individual models.  
Note: Use this page front and back as a product submittal sheet.

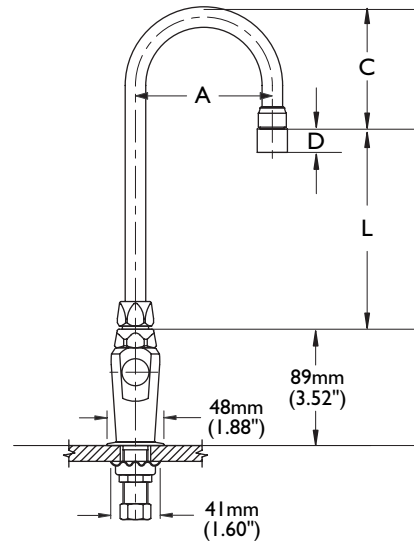
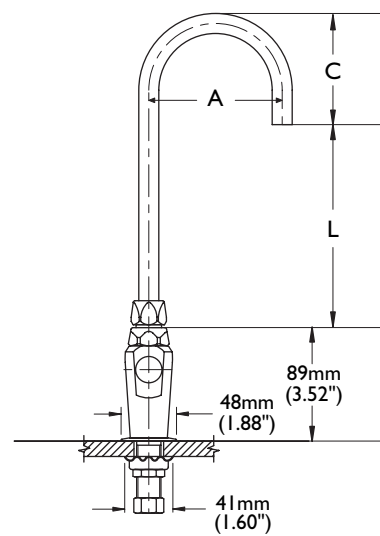
**Approvals:**

- CSA certified
- Complies to ASME A112.18.1
- Lever Blade Handle No. 3  
ADA Compliant and meets  
Handicapped Accessibility Standard ASME A117.1 of less than 5 lbs. operating force.

(Contact Delta Representative for State and/or Local Approvals.)

**FRONT VIEW**

**SWING SPOUTS**

**FLOWRATE vs PRESSURE**
**Outlet Flowrates**


OUTLET NO.	"D"	
	mm	in.
2	18	0.69
3	18	0.69
4	17	0.67
5	18	0.69

**GOOSENECK SPOUTS**
**Outlets #2, 3, 4, 5**

**Outlet #7**

**GOOSENECK SPOUT ASSEMBLIES**

SPOUT/OUTLET	"A"		"C"		"L"	
	mm	in.	mm	in.	mm	in.
Gooseneck-Standard (R2) for outlets #2, 3, 4, 5	114	4.5	104	4.1	170	6.7
Gooseneck-Standard (R2) for outlet #7	114	4.5	97	3.8	178	7.0

See Page 9.C.1 for additional optional spouts.

**SWING SPOUT ASSEMBLIES**

Spout No.	SPOUT TYPE	"A"		"C"		"L"	
		mm	in.	mm	in.	mm	in.
1	6" Wallform Spout (S1)	165	6.5	15	0.6	102	4
3	6" Tubular Spout (S3)	140	5.5	38	1.5	107	4.2

**INLETS - 1/2" MIP/Coupling Nuts**  
Note: Measurements may vary  $\pm$  6mm (0.25")

See Page 9.C.2 for additional optional spouts.

Refer to [www.specselectonline.com](http://www.specselectonline.com) for individual models.

Note: Use this page front and back as a product submittal sheet.