

SPECIFICATIONS

CAPE ANNE™ TWO HANDLE WIDESPREAD LAVATORY FAUCET

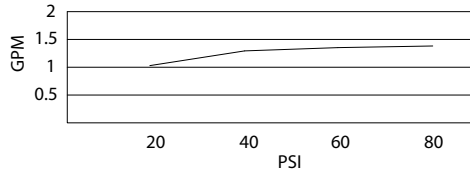
Model

D304026

Description

- Ceramic disc cartridges
- Metal lever handles
- 6 ¾" high spout, 5 ½" spout length
- 1.5GPM (5.7LPM) pressure compensating aerator @ 60 psi
- Widespread, 3 hole mount, 6" - 12" installation
- 50/50 touch down drain assembly

Flow Rate



Standards



- NSF 61-9
- Energy Policy Act of 1992



NSF/ANSI 372

- ASME A112.18.1M/A112.18.1
- NSF/ANSI 372



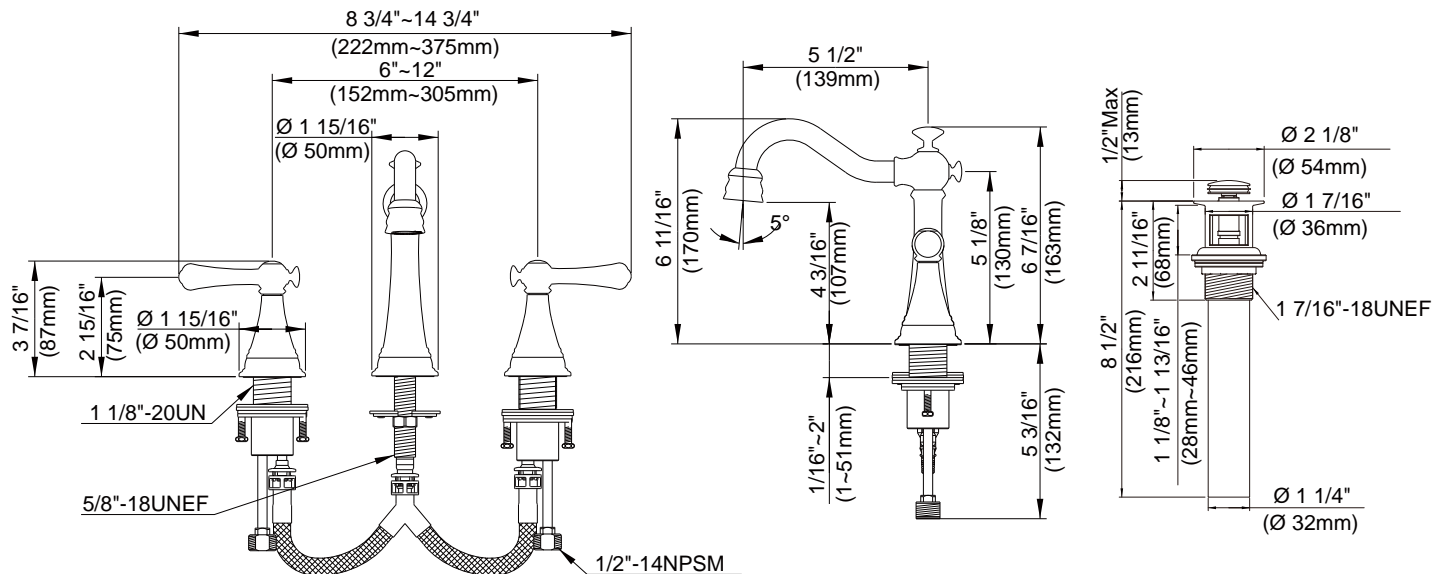
- ADA Accessibility Guidelines for Buildings and Facilities - 4.27.4 Controls and Mechanisms

Warranty

Danze products are covered by a manufacturer's limited "lifetime" warranty for manufacturing defects.

Finishes Available

- Chrome
- Other: Refer to Price List for additional finish



Submittal Information:

Job Name: _____
 Contractor: _____

Location: _____
 Contact #: _____