

## SPECIFICATIONS

### COBALT™ UNDERCOUNTER LAVATORY

**Model**

DC067250

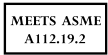
**Description**

- Width: 18 3/4"
- Faucet hole: none
- Overflow
- Mounting hardware included

**Standards**



• UPC



• ASME A112.19.2



• CSA B45.1

**Warranty**

Five Year Limited Warranty (Vitreous China)

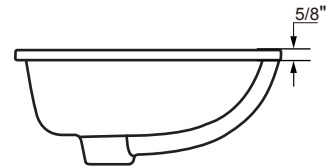
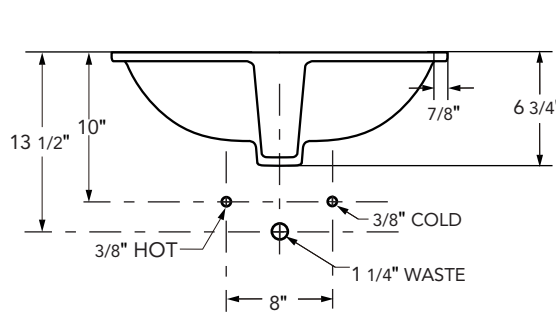
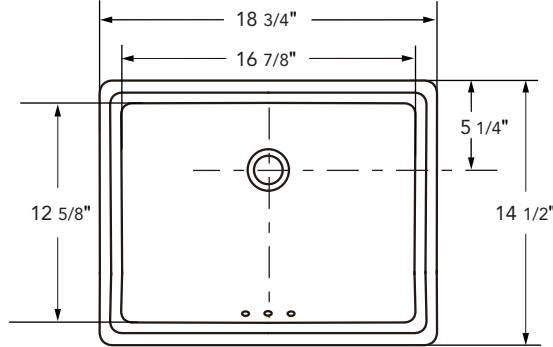
**Technical Information**

Fixture:	
Basin area	16 7/8" (42.8 cm) x 12 5/8" (32.1cm)
Basin depth	4 5/8" (11.9 cm)
Drain hole	1 3/4" (4.4 cm)



**Colors Available**

- White (WH)
- Biscuit (BC)



IMPORTANT: Dimensions of fixtures are nominal and may vary within the range of tolerance established by ASME Standard A112.19.2. These measurements are subject to change or cancellation. No responsibility is assumed for use of superseded or voided pages.

FINISHED FLOOR

**Submittal Information:**

Job Name: \_\_\_\_\_

Location: \_\_\_\_\_

Contractor: \_\_\_\_\_

Contact #: \_\_\_\_\_