

## SPECIFICATIONS

### BANNOCKBURN™ TWO HANDLE BAR & CONVENIENCE FAUCET

#### Model

D153556 (Replaces D153056 series)

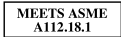
#### Description

- Ceramic disc valve
- 12 ½" high swivel spout, 5" spout length
- Single hole mount with optional deck plate

#### Standards



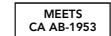
- UPC/cUPC
- NSF 61-9
- Energy policy act of 1992



- ASME A112.18.1



- CSA B125



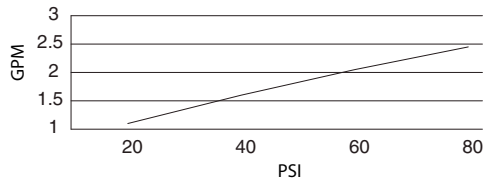
- Meets CA AB-1953

Less than 0.25% lead content



- ADA Accessibility Guidelines for Buildings and Facilities - 4.27.4 Controls and Mechanisms

#### Flow Rate

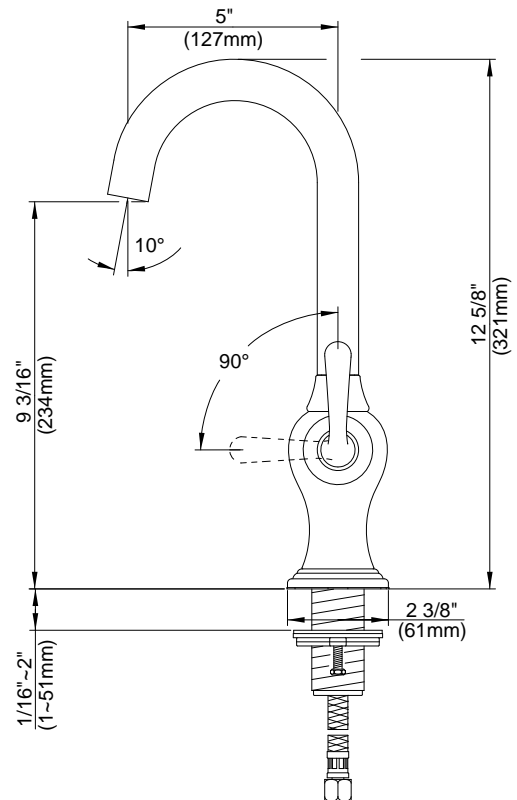
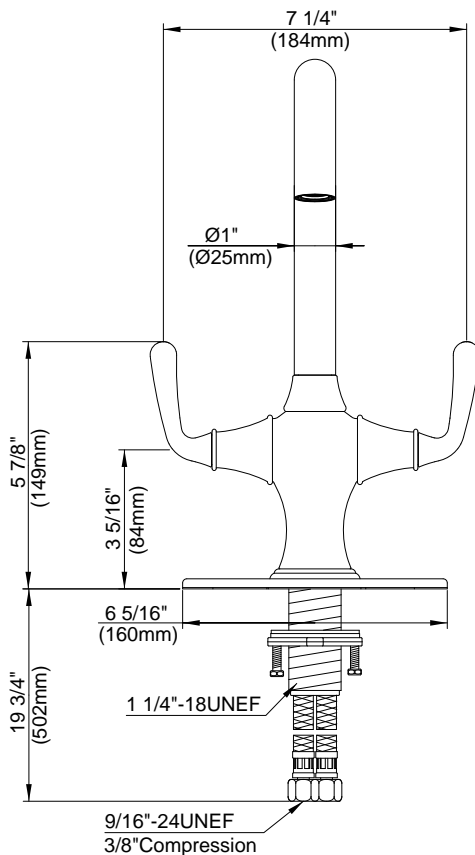


#### Finishes Available

- Chrome
- Other: Refer to Price List for additional finish

#### Warranty

Danze products are covered by a manufacturer's limited "lifetime" warranty for manufacturing defects.



#### Submittal Information:

Job Name: \_\_\_\_\_  
 Contractor: \_\_\_\_\_

Location: \_\_\_\_\_  
 Contact #: \_\_\_\_\_