

**SPECIFICATIONS**

**SONORA™ SINGLE HANDLE PRESSURE BALANCE TUB & SHOWER FAUCET**

**Model**

D504054

**Description**

- Single handle with 4" downpour showerhead
- Cast slip-fit spout
- Diverter on valve (Tub & Shower only)
- Back to back installation capabilities

**Standards**



- UPC/cUPC
- Energy policy act of 1992



- ASME A112.18.1



- CSA B125



- ASSE 1016

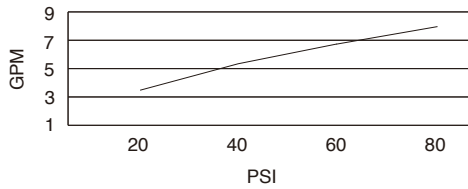


- ADA Accessibility Guidelines for Buildings and Facilities - 4.27.4 Controls and Mechanisms

**Warranty**

Danze products are covered by a manufacturer's limited "lifetime" warranty for manufacturing defects.

**Flow Rate**



**Trim Kits:**

- (for use w/pressure balance valves)
- D504054T (Tub/Shower trim)
- D504554T (Shower only trim)
- D500654T (Tub trim w/valve escutcheon) ▲
- D500454T (Valve only escutcheon trim w/diverter)
- D510454T (Valve only escutcheon trim w/o diverter)

**Special Packaging**

- This product also available with valve packaged separate from trim.
- Tub & Shower and Valve Only Escutcheon w/Diverter Trim Kit - use w/valve: D113000BT (w/diverter & stops)
- Shower Only & Tub & Valve Only Escutcheon w/o Diverter Trim Kit - use w/valve: D112000BT (w/stops) or D115000BT (w/o stops)
- Pressure Balance Valves are combination 1/2" copper sweat, 1/2" NPT threaded connectors for all ports.

▲ Will be discontinued, limited stock available

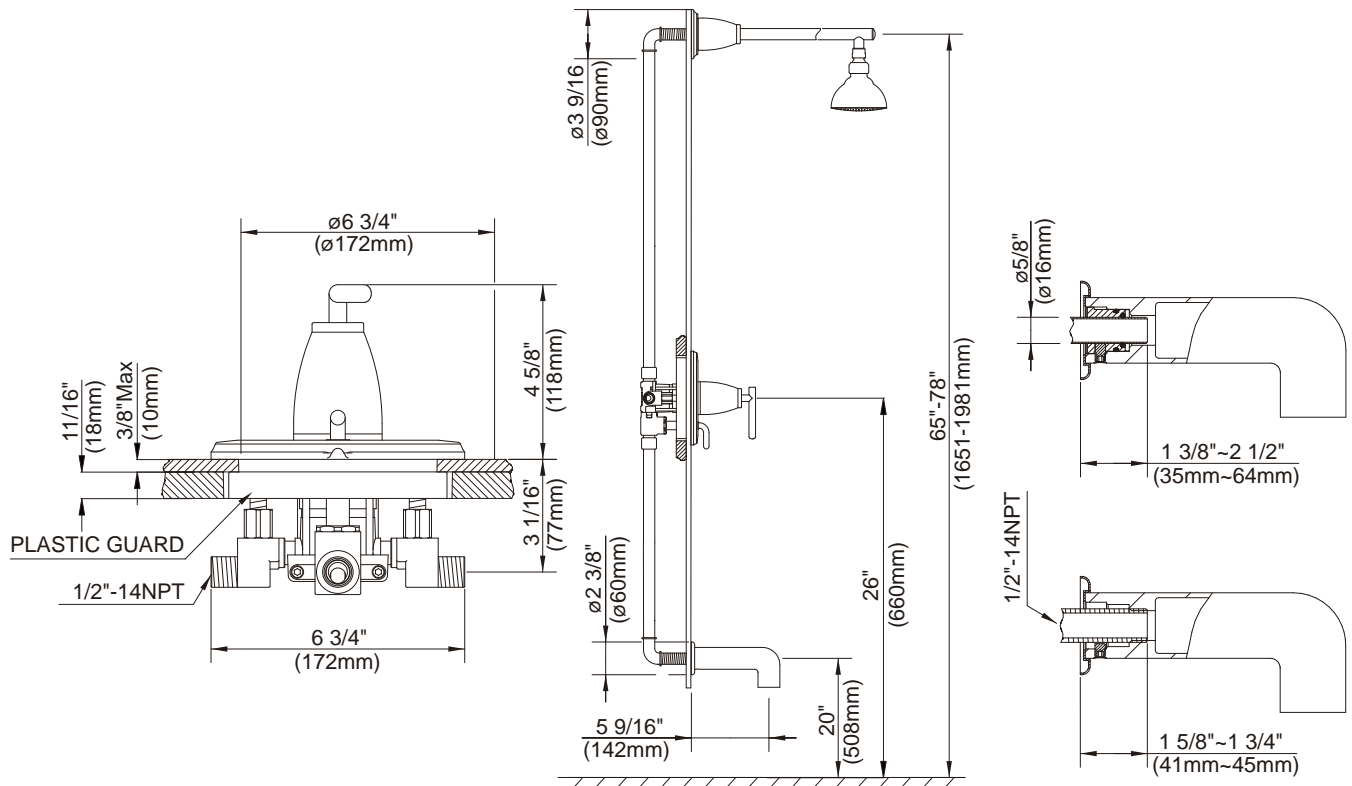


**Finishes Available**

- Chrome
- Other: Refer to Price List for additional finish

**With Diverter & Stops:**  
D504054(Tub/Shower)

**With Stops:**  
D504554 (Shower only)



**Submittal Information:**

Job Name: \_\_\_\_\_  
Contractor: \_\_\_\_\_

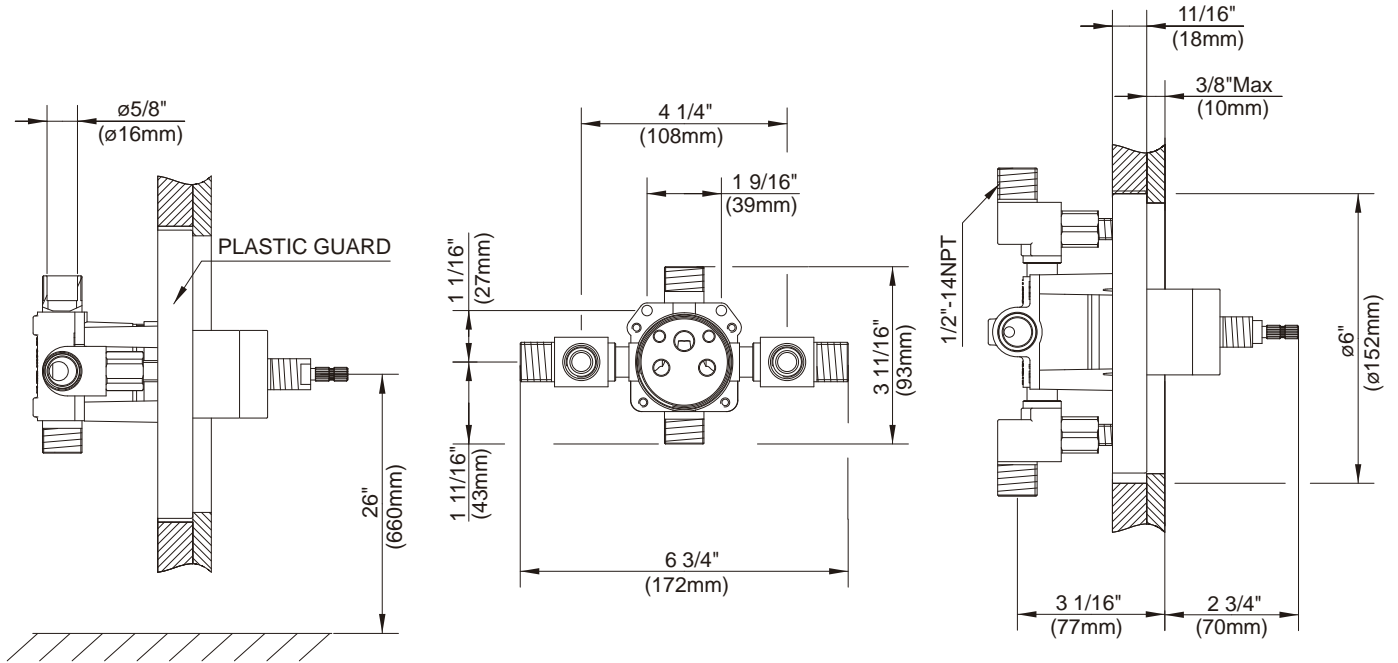
Location: \_\_\_\_\_  
Contact #: \_\_\_\_\_

## SPECIFICATIONS

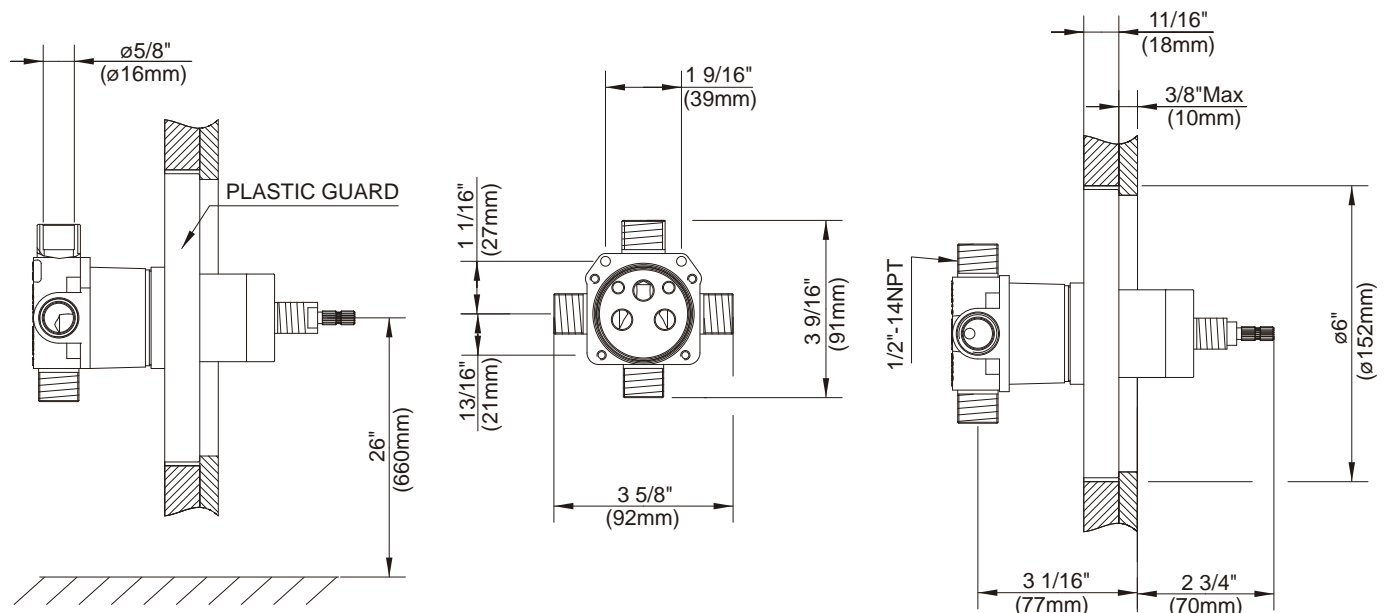
### SONORA™ SINGLE HANDLE PRESSURE BALANCE TUB & SHOWER FAUCET

Critical Dimensions : Rough-in valve D112000BT (w/stops) & D115000BT (w/o stops)

#### W/SCREWDRIVER STOPS



#### W/DIVERTER & STOPS



**Submittal Information:**

Job Name: \_\_\_\_\_

Location: \_\_\_\_\_

Contractor: \_\_\_\_\_

Contact #: \_\_\_\_\_