

The Triumph Fan



BETTER BY DESIGN

P.O. Box 1037
650 S. Royal Lane, Suite 100
Coppell, TX 75019

(800) 486-4892
8:00 to 5:00 CST (Central Standard Time)
Toll Free Fax: (877) 304-1728

email: customerservice@craftmade.com
www.craftmade.com



MEJOR DISEÑO

P. O. Box 1037
650 S. Royal Lane, Suite 100
Coppell, TX 75019 EE.UU.

(800) 486- 4892
8:00 a 5:00 CST (Hora local central)
Número de fax sin cargo: (877) 304-1728

Correo electrónico: customerservice@craftmade.com
www.craftmade.com

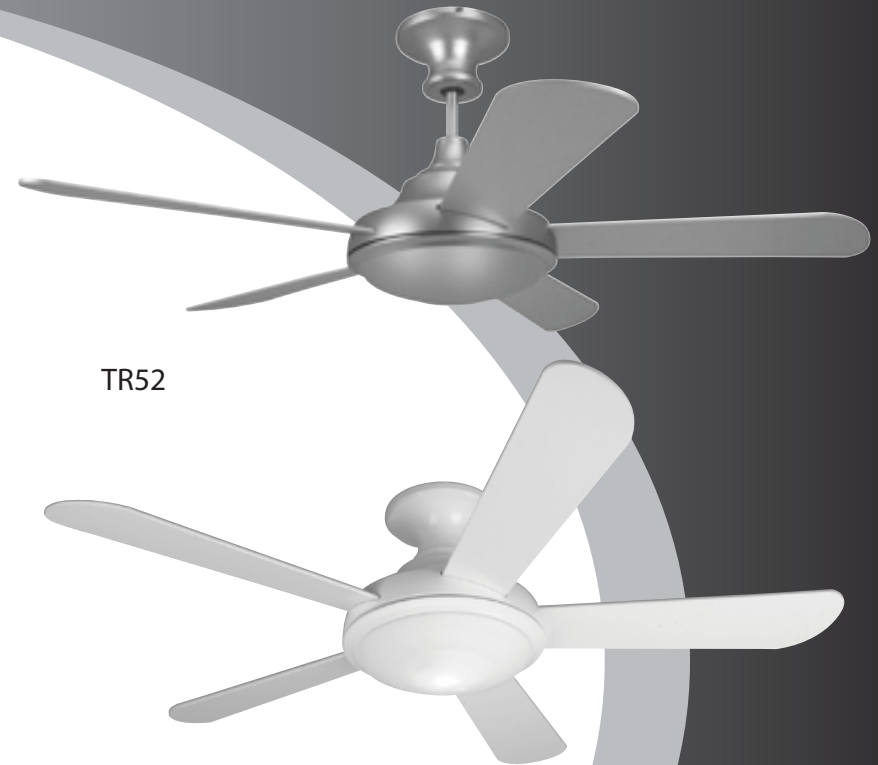


UNE CONCEPTION EXCEPTIONNELLE

P. O. Box 1037
650 S. Royal Lane, Suite 100
Coppell, TX 75019 EE.UU.

de 8 heures à 17 heures (Heure standard du centre)
Numéro de télécopieur gratuit : (877) 304-1728

Email: customerservice@craftmade.com
www.craftmade.com



TR52

Installation Instructions
Models: TR52
Combination Standard
Downrod and Flushmount
Assembly



BETTER BY DESIGN

Read and Save These Safety Precautions

1. Turn off electricity at main switch before wiring or servicing fan in order to avoid possible electrical shock.
2. All wiring must be in accordance with the National Electric Code (ANSI/NFPA 70-1999) and local electrical codes. Electrical installation should be performed by a qualified licensed electrician.
3. After making the wire connections, the wires should be spread apart with the grounded conductor and the equipment-grounding conductor on the one side of the outlet box and the ungrounded conductor on the other side of the outlet box.
4. The splices after being made should be turned upward and pushed carefully up into the outlet box.
5. Conductor of a fan identified as grounded conductor to be connected to grounded conductor of power supply, conductor of a fan identified as ungrounded conductor to be connected to an ungrounded conductor of power supply, conductor of fan identified for equipment grounding to be connected to an equipment-grounding conductor.
6. Fan should not be mounted in an area where it might get wet.
7. To reduce the risk of fire, electric shock or personal injury, mount to outlet box marked "Acceptable for Fan Support" and use mounting screws provide with the outlet box.
8. For safety and best operating results, we recommend that you have a qualified electrician assemble and install your fan.
9. **WARNING:** To reduce the risk of fire or electric shock, do not use this fan with any solid state speed control device.
10. To reduce the risk of personal injury, do not bend the blade brackets when installing the brackets, balancing the blades or cleaning the fan. Do not insert foreign objects in between rotating fan blades.

Before Assembly

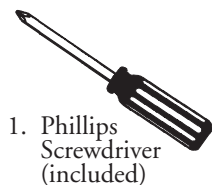
1. Make sure that the fan voltage (120) is compatible with your own electrical system.
2. Check to make sure that your carton contains all the parts mentioned in the parts list.

NOTE: When the motor is taken out of carton, please put it in a soft cloth to prevent any damage on the ornamental surface.

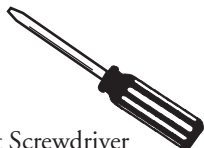
CAUTION: Before installing, choose a location for mounting the fan where the blades have at least 7 feet of clearance from all objects and floor. Mount an outlet box to the ceiling or use an existing box.

CAUTION: Do not mount fan to sheet rock or drywall type materials. To insure proper support, use the two #1 wood screws to secure mounting bracket to joist or beam. If the location you choose does not have a suitable support beam, install a 2"X4" brace between ceiling joists to support.

Tools You Need



1. Phillips Screwdriver (included)



2. Flat Screwdriver



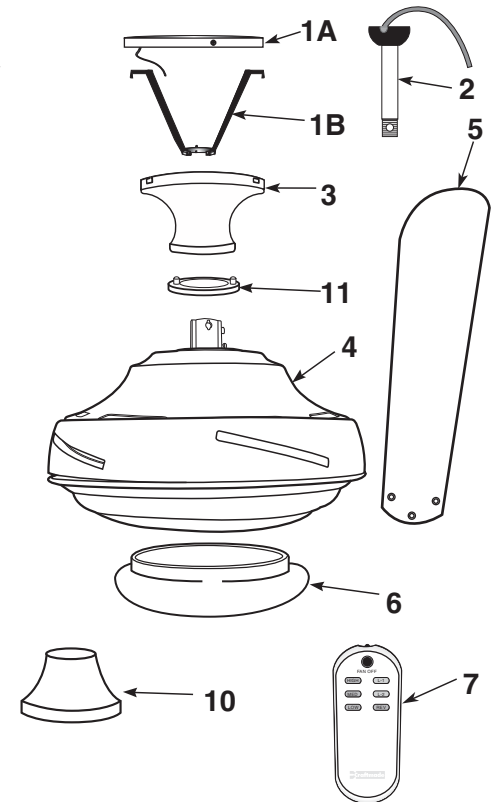
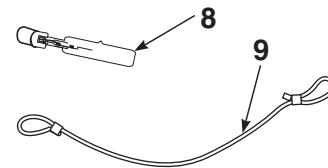
3. Adjustable Wrench



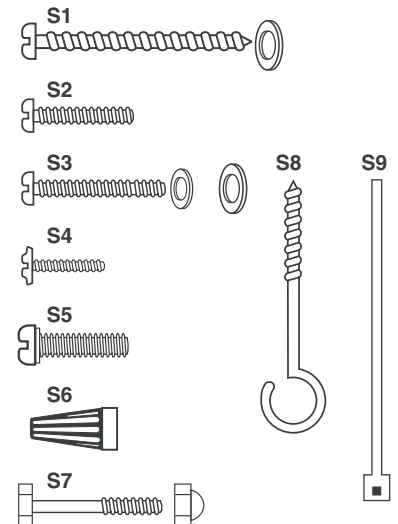
4. Wire Strippers

What You Have

Parts	Qty
1A. Mounting Plate	1
1B. Mounting Bracket	1
2. Down Rod Assembly 6" Rods Supplied	1
3. Canopy	1
4. Fan Housing & Motor	1
5. Blades (sold separately)	5
6. Glass	1
7. TCS Hand Held Control	1
8. Halogen Bulb	1
9. Hanging Cable	1
10. Flange Cover (Downrod Assembly Only)	1
11. Canopy Decorative Cover (Downrod Assembly Only)	1



Parts	Qty
S1. Wood Screws and Washers	2
S2. Screws (for Canopy)	4
S3. Bracket Screws & Washers	2
S4. Blade Screw	16
S5. Motor Screw	11
S6. Wire Connectors	3
S7. Safety Bolt & Nut	1
S8. "J" Hook	1
S9. Zip Tie	1



Preparation

! **Important:** When using an existing outlet box, be sure the box is securely attached to the building structure and can support the full weight of the fan. Failure to do so can result in serious injury or death.

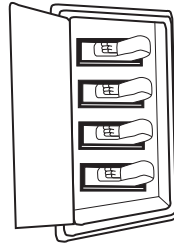
A

Step A

Turn off circuit breakers and wall switch to the fan supply line leads.



Warning: Failure to disconnect power supply prior to installation may result in serious injury or death. To reduce the risk of shock, this fan must be installed with an isolating wall control/switch.



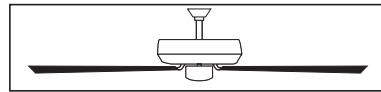
B

Step B

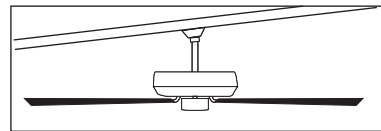
Determine mounting method to use.

- A. Downrod Mount
- B. Angle Mount
Craftmade Part #45AD (see dealer)
- C. Flushmount

IMPORTANT: If using the angle mount method, check to make sure the ceiling angle is not steeper than 35°. Angles greater than 35° will require a 45° angle adapter.



Downrod Installation
(Normal Ceilings)

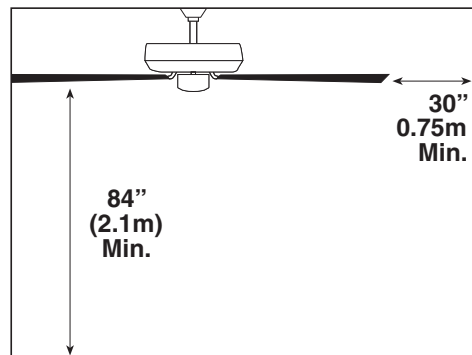


Downrod Installation
(Vaulted Ceilings)

C

Step C

Check to make sure blades are at least 30" from any obstruction. Check downrod length to ensure blades are at least 7' above the floor.

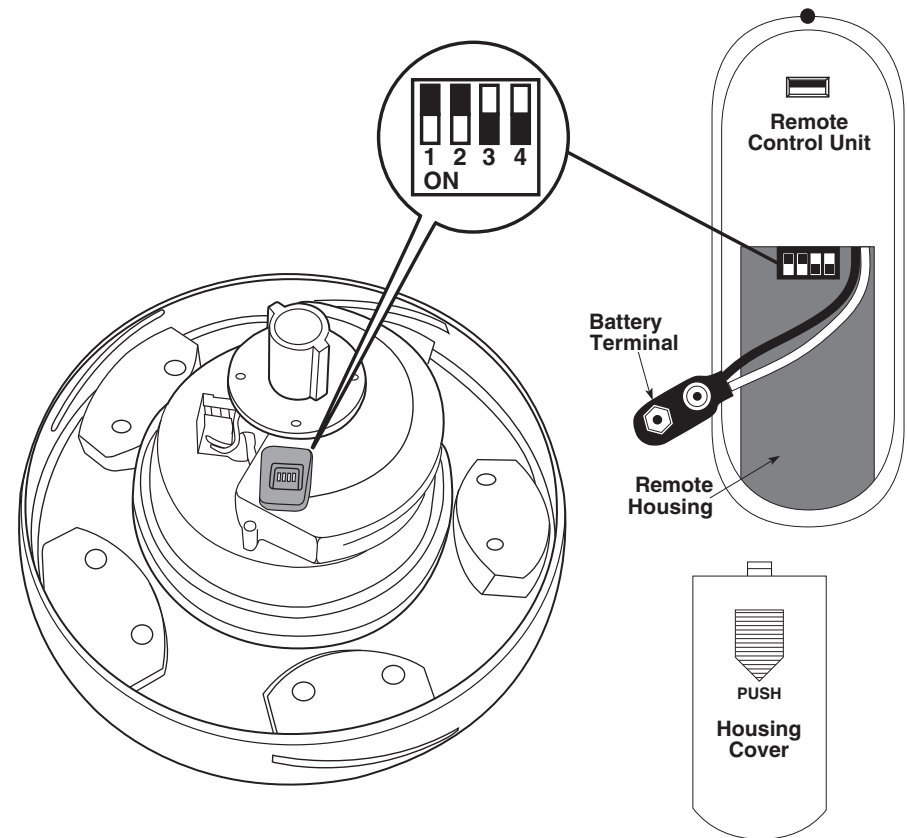


D

Step D - Setting Frequency Switches

The remote control unit is operated by a set of frequency switches and are preset at the factory. The switches are located on the back of the remote control unit and in the top motor housing of the fan on the receiving module. The switches can be set in any position as long as both the wall unit and receiving module switches are set the same. All (RF) modules & Transmitters come from the factory with the dip switches set in the (ON) position. To replace battery, simply push down on tab and slide housing cover off. Snap 9-Volt battery onto wire terminal and replace into remote housing. Slide housing cover back onto remote control unit.

Note: In the event there are multiple remote units in an area, dip switches can be set to different settings so one remote doesn't inadvertently turn on more than one fan.

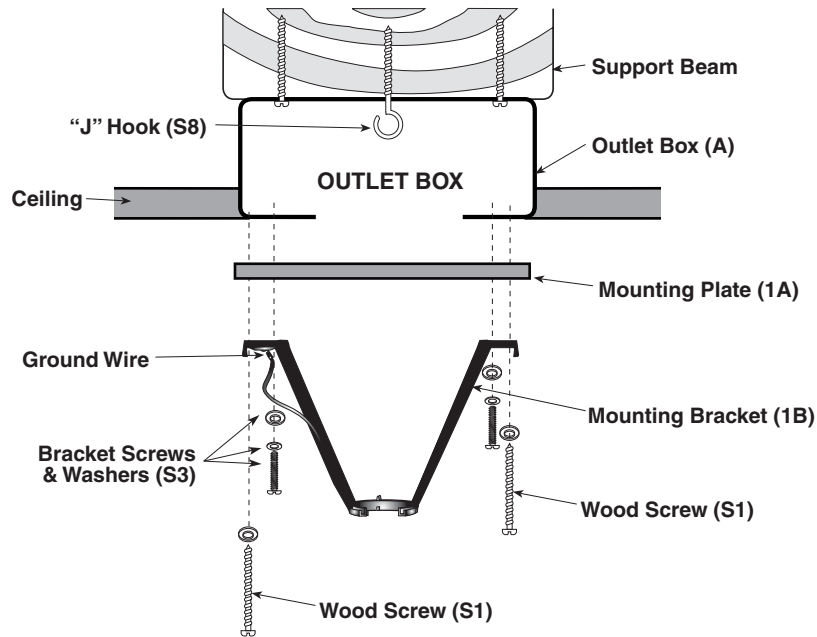


1**Step 1 - Downrod Option**

Prior to securing Mounting Bracket/Plate, screw "J" Hook (S8) into Ceiling Outlet Box as a secondary support means. Secure Mounting Plate (1A) and Mounting Bracket (1B) to the outlet box (A) by tightening bracket screws & washers (S3) as shown. If not mounting to an Outlet Box, use Wood Screws (S1) and Washers (S1) and mount securely to Ceiling Beam.

NOTE: Do not mount directly to sheet rock or ceiling tile.

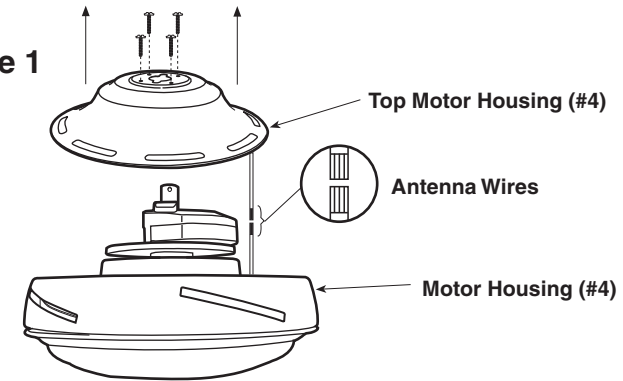
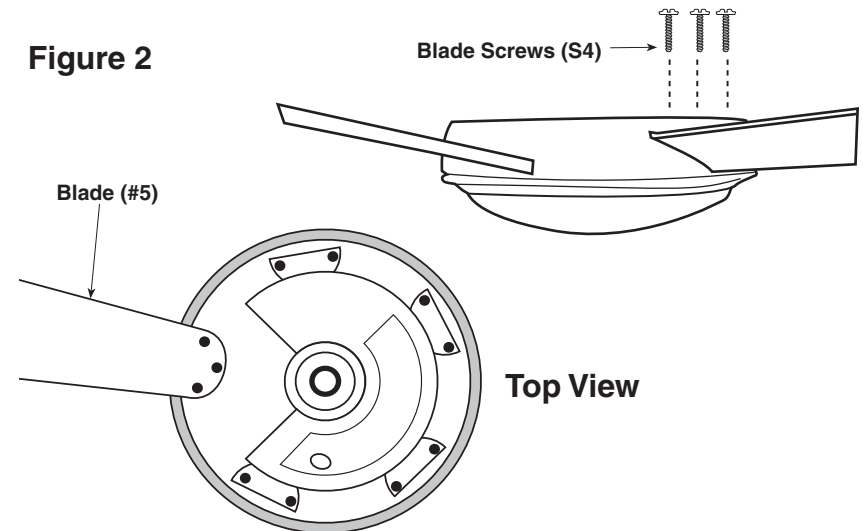
NOTE: "J" Hook installation is a Canadian requirement only.

**Helpful Hint**

Remove fan motor (#4) from inside the box, turn the top foam insert upside down, then lay the fan motor face down into the foam. This will hold the motor housing steady during assembly.

2**Step 2 - Blade Assembly**

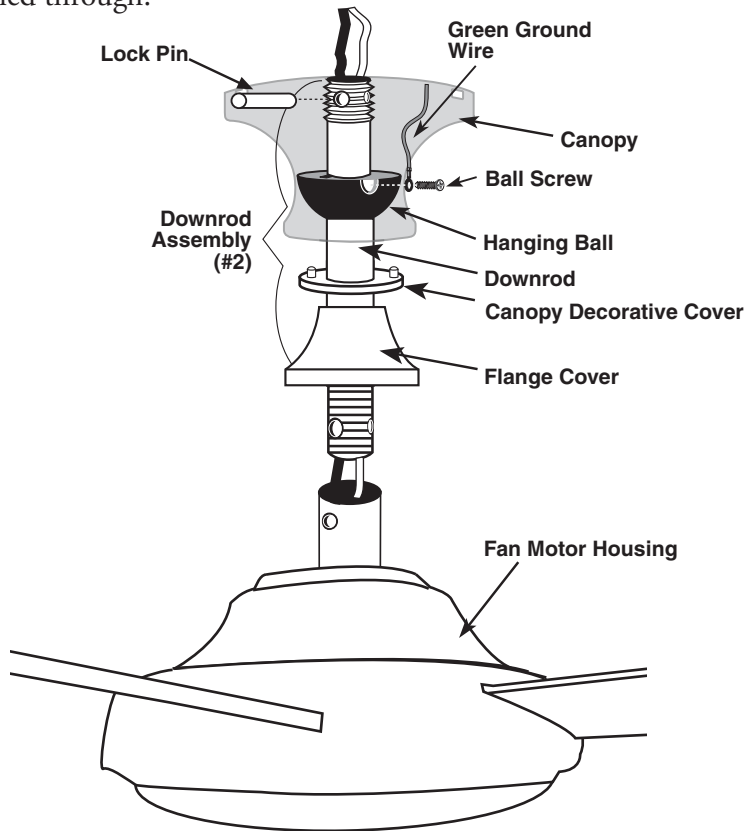
Take out the four screws in the Top Motor Housing (#4). Save the screws. Raise the Top Motor Housing (#4) off the base (see figure 1). Slide blade (#5) through slot on side of fan. Attach with Blade Screws (S4) as shown in figure 2. Repeat this procedure until all five blades are secured. Tighten firmly. Reattach Antenna wires, then reattach Top Motor Housing (#4).

Figure 1**Figure 2**

CAUTION: Never hold or lift fan by blades

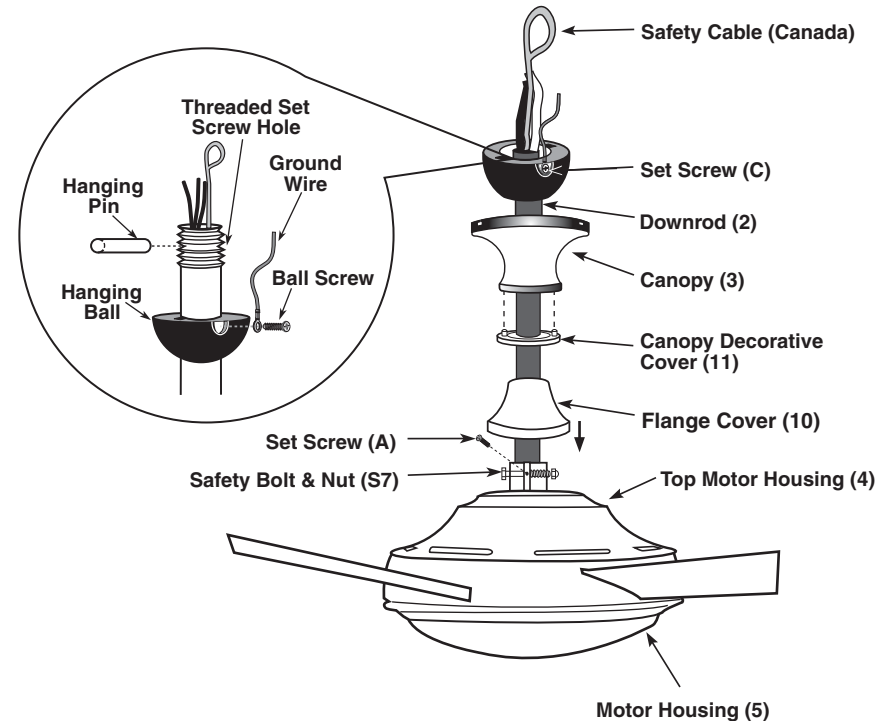
3 Step 3 - Standard Down Rod Assembly (Steps 3-7)

Locate Downrod Assembly (#2). Loosen Ball Screw on black Hanging Ball to free lock pin. Black Hanging Ball will slide down. Remove Ground Screw and green Ground Wire. Remove Hanging Ball from Downrod and save all parts. Insert fan wires through Downrod. Screw Downrod into top of Fan Motor Housing, being careful that wires are pulled through.



4 Step 4

Position Downrod so the hole in the Downrod aligns with the hole in the Flange Coupling on the Motor. **Insert Safety Bolt (S7) through Coupling and Downrod and attach Nut.** Tighten firmly. Tighten Set Screw "A" against downrod. Place Flange Cover (#10) and Canopy Decorative Cover (#11) and Canopy over Downrod Assembly. Replace Hanging Ball, insert Hanging Pin through Downrod and tighten Set Screw "C" in Hanging Ball into Downrod.



WARNING:

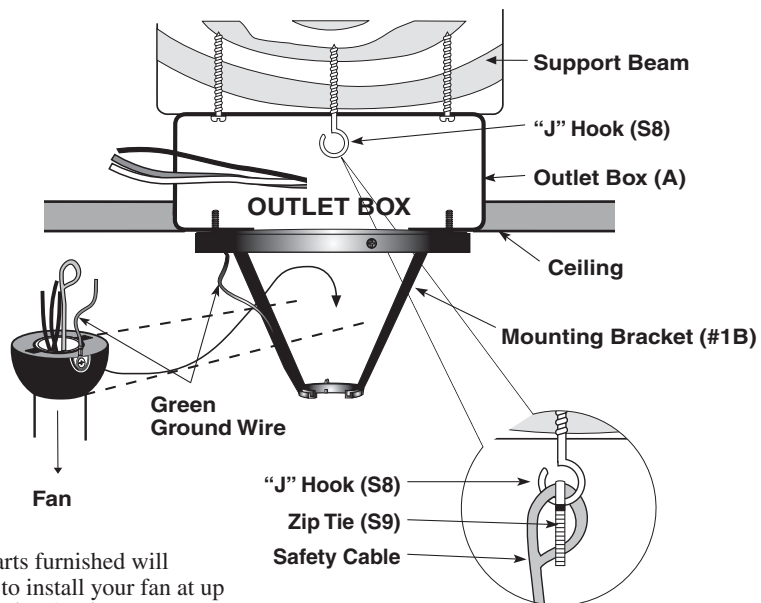
Failure to completely tighten downrod could result in the fan loosening and possibly falling.

IMPORTANT: Black antenna wire must be connected for remote to function.

5

Step 5 - Safety Cable

For added security, attach Safety Cable from fan unit to "J" Hook (S8) in outlet box. Secure by looping zip tie (S9) through Safety Cable and "J" hook. Tighten zip tie securely. Lift fan onto the Mounting Bracket (#1B). Turn housing until Hanging Ball seats itself into Ball Socket (listen for click).



NOTE: Parts furnished will allow you to install your fan at up to a 35° angle. Angles greater than 35° will require a 45° angle adapter (see dealer).

NOTE: "J" Hook installation is a Canadian requirement only.



WARNING: To reduce the risk of fire, electric shock or personal injury, mount so outlet box marked "acceptable for fan support" and use mounting screws provided with the outlet box. Most outlet boxes commonly used for the support of lighting fixtures are not acceptable for fan support and may need to be replaced. Consult a qualified electrician if in doubt.

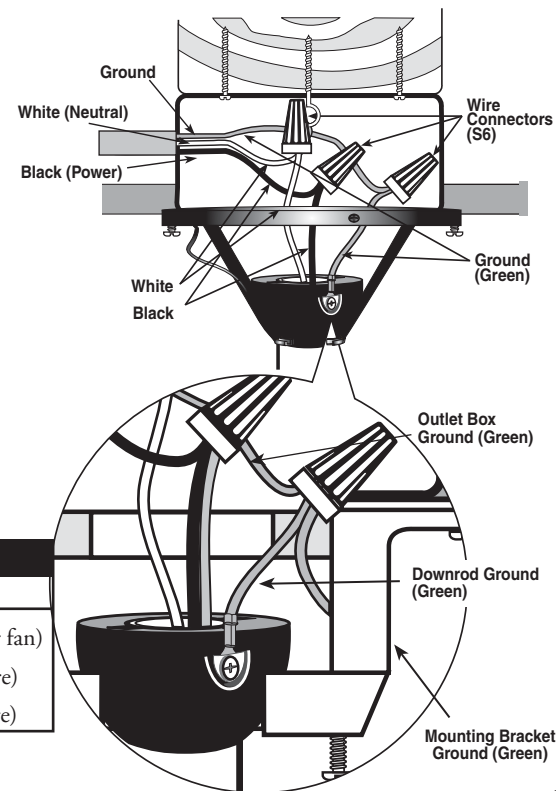
6

Step 6 - Connecting Wires

1. Connect fan wires to ceiling wires: white fan wire to white outlet wire, black to black and green to green. Wire Connectors (S6) are provided for your convenience.

2. After connections are made, turn splices upward and push carefully into outlet box. Separate black wire on one side of the box, and white and green wires on the other side.

There are 2 colored wires coming from the top of the motor (including ground wire).

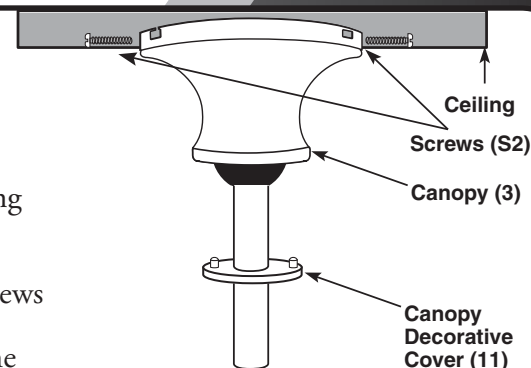


Wire Connections	
Outlet Box	Fan wires
Black	Black (Hot wire for fan)
Green	Green (Ground wire)
White	White (Neutral wire)

7

Step 7 - Attaching Canopy

Attach Canopy (#3) to the Mounting Bracket by placing Screws (S2) into slot in Canopy. Twist clockwise to lock into place. Tighten Screws firmly. Attach Canopy Decorative Cover (11) to the Canopy (3).

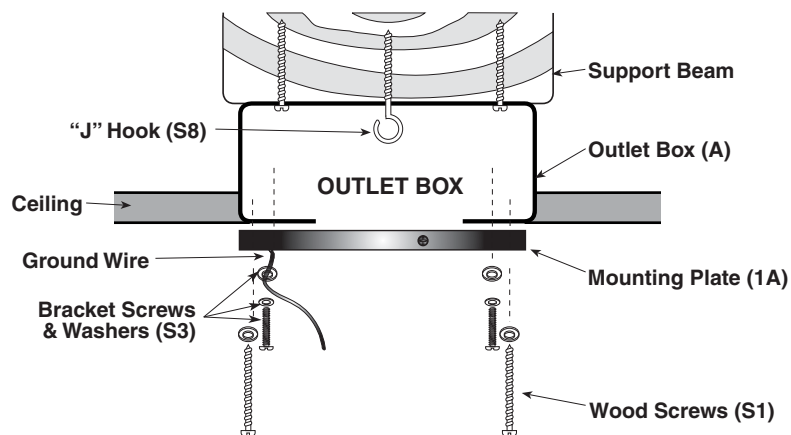


1**Step 1 - Flushmount Option**

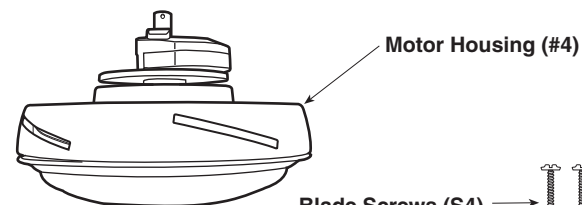
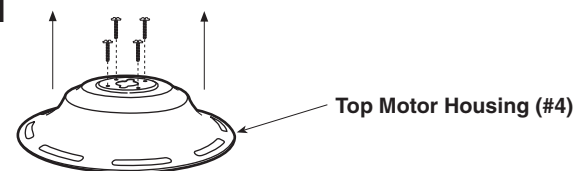
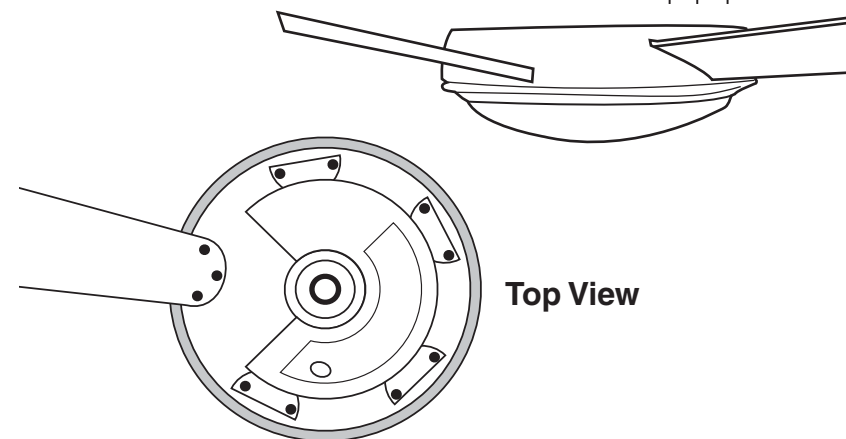
Prior to securing Mounting Bracket/Plate, screw "J" Hook (S8) into Ceiling Outlet Box as a secondary support means. Secure mounting Plate (1A) to the outlet box (A) by tightening Bracket Screws & Washers (S3) as shown. If not mounting to an outlet box, use wood screws (S1) and washers (S1) and mount securely to ceiling beam. Be sure at this point to insert Canopy Screws (S2) in bracket.

NOTE: Do not mount directly to sheet rock or ceiling tile.

NOTE: J Hook installation is a Canadian requirement only.

**2****Step 2 - Blade Assembly**

Take out the four screws in the Top Motor Housing (#4). Save the screws. Raise the Top Motor Housing (#4) off the base (see figure 1). Slide blade (#5) through slot on side of fan. Attach with Blade Screws (S4) as shown in figure 2. Repeat this procedure until all five blades are secured. Tighten firmly. Top Motor Housing will be reattached in following step.

Figure 1**Figure 2****Top View**

CAUTION: Never hold or lift fan by blades

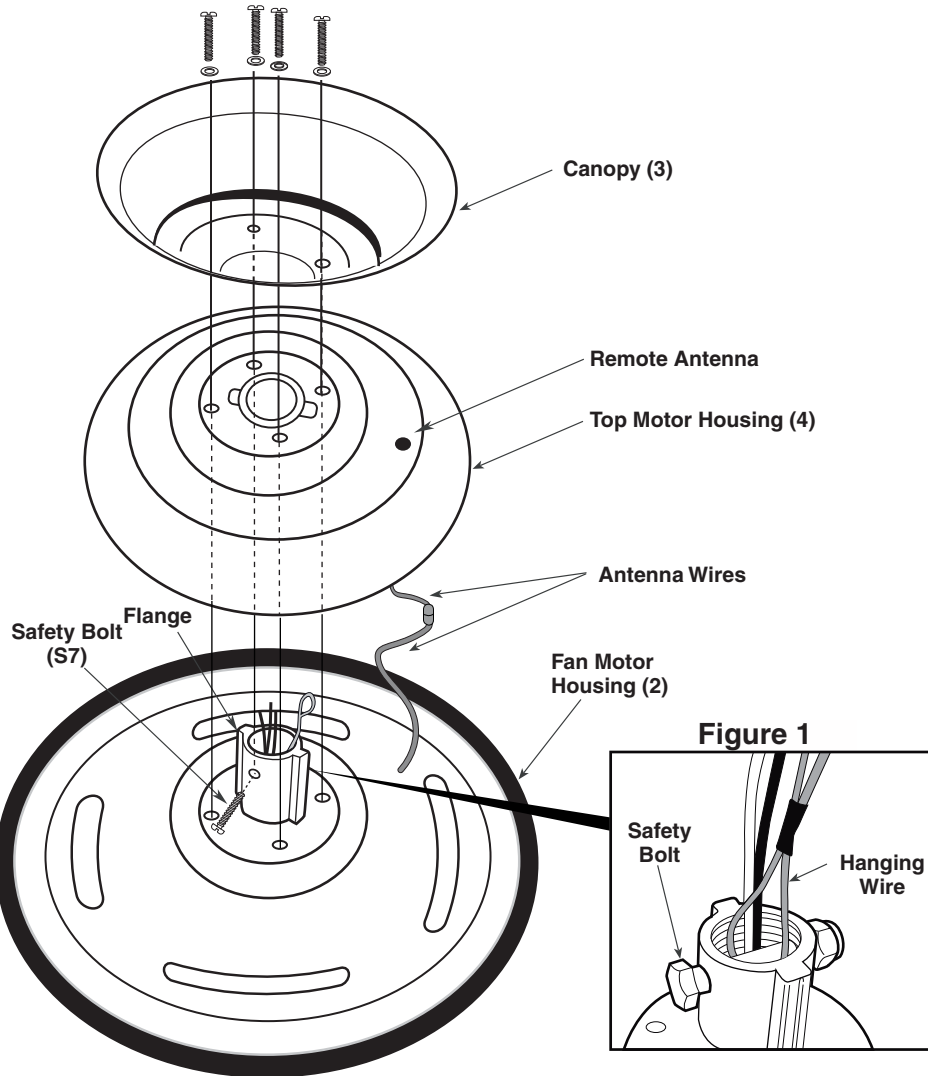
Helpful Hint

Remove fan motor (#4) from inside the box, turn the top foam insert upside down, then lay the fan motor face down into the foam. This will hold the motor housing steady during assembly.

3

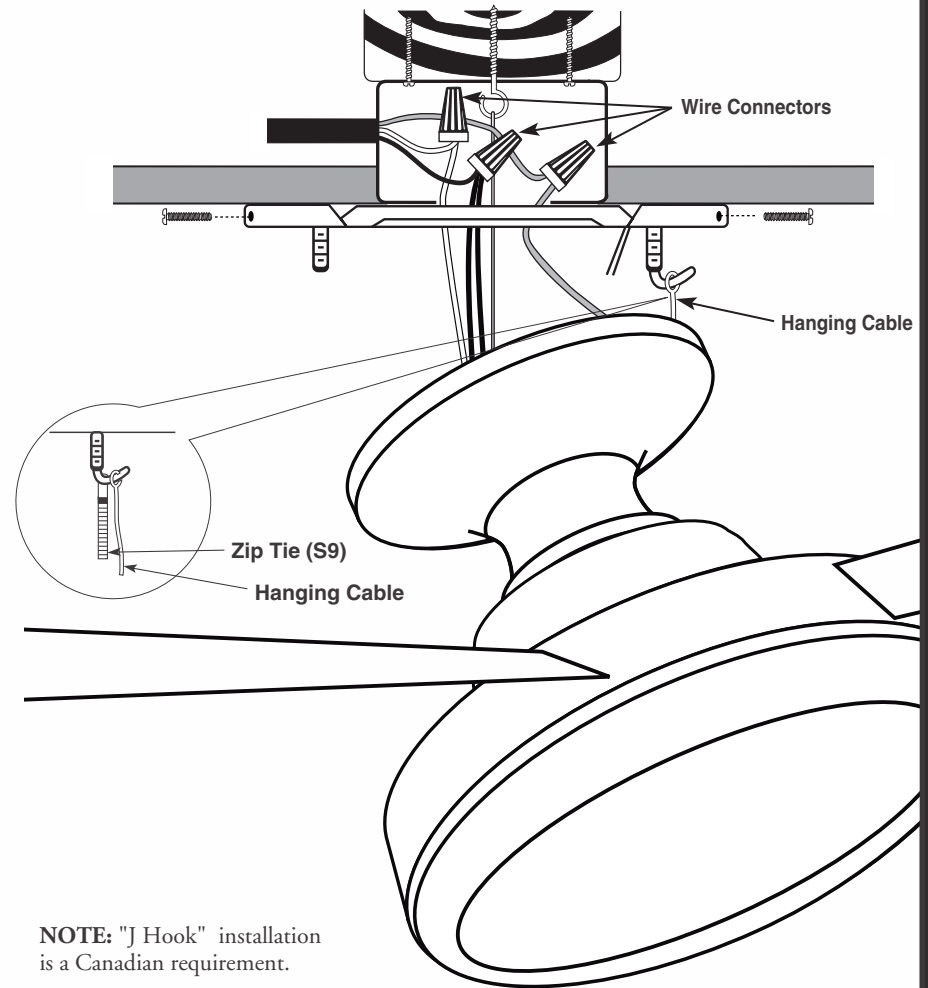
Step 3 - Flushmount Installation

Secure the Hanging Wire by looping it through the Safety Bolt (S7) as shown in Figure 1 and tightening it with the Safety nut. Connect Antenna Wires on Top Motor Housing and Fan Motor housing. Place Top Motor Housing (#4) on motor housing. Attach canopy (#3) to the motor housing by placing screws into holes in canopy. **Tighten screws firmly.**

**4**

Step 4 - Attaching Hanging Cable

For added security, attach Hanging Cable from fan unit to "Mounting Plate "J" Hook. Secure by looping Zip Tie (S9) through the Hanging Cable and "J" Hook. Tighten Zip Tie securely. Thread 2 of the Canopy Screws into the mounting plate. These will be used to attach the Canopy (Shown in Step 8)



NOTE: "J Hook" installation is a Canadian requirement.

5

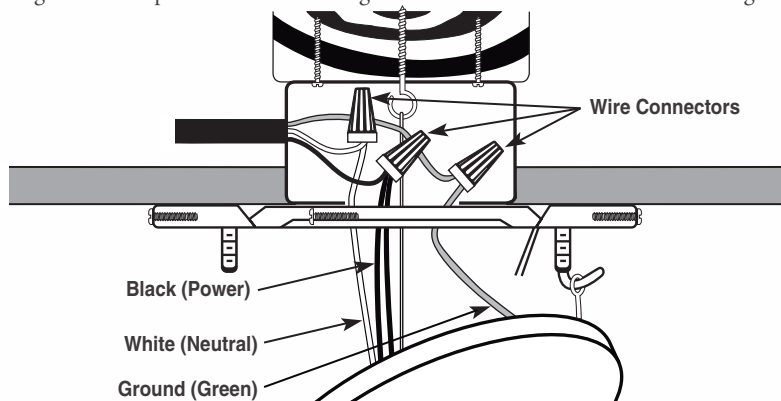
Step 5 - Connecting the Wiring

1. Connect fan wires to ceiling wires: white fan wire to white outlet wire, black to black and green to green. Wire connectors (S6) are provided for your convenience. If additional blue wire is present then also connect the blue wire to the black wire.

2. After connections are made, turn splice upward and push carefully into outlet box. Separate blue and black wires on one side of the box and white and green wires on the other side.

There are 3 colored wires coming from the top of the motor (including ground wire).

NOTE: Wire connectors that are not pushed into the outlet box may, in time, sag and rub against the top of the motor housing. This sound can be mistaken for bearing noise.



Wire Connections	
Outlet Box	Fan Wires
Black	Black (Hot Wire for Fan)
Green	Green (Green Wire)
White	White (Neutral Wire)

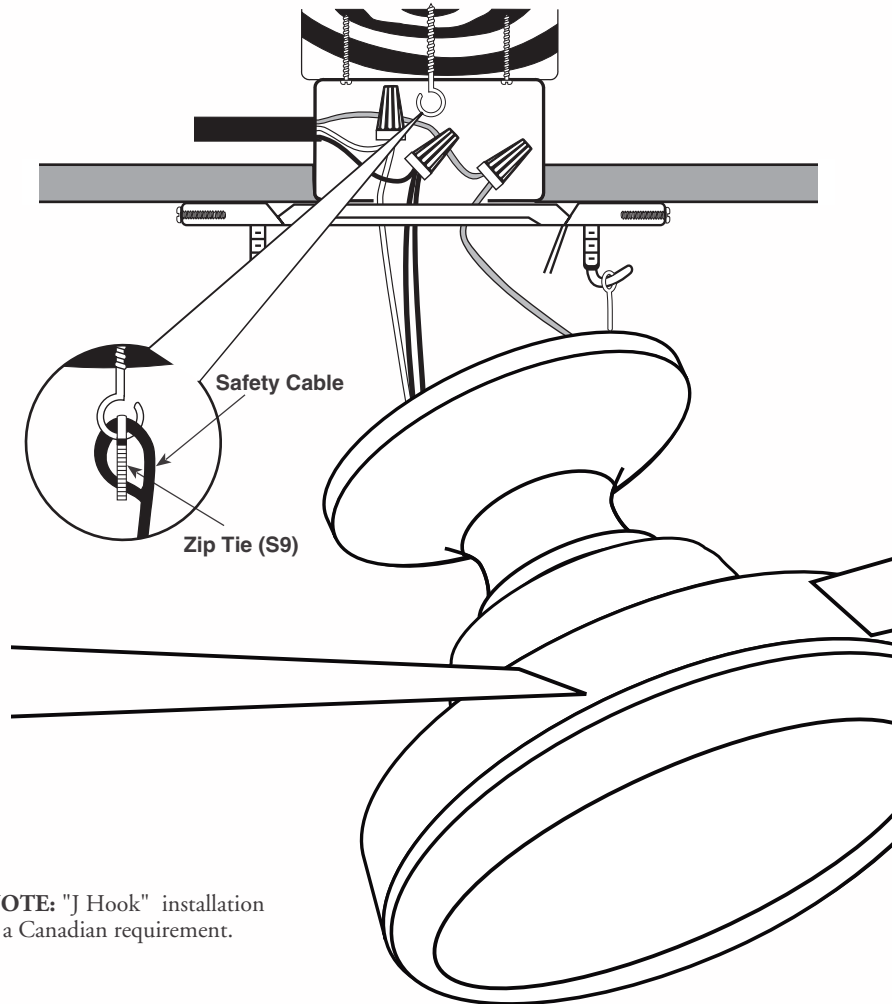


WARNING: To reduce the risk of fire, electric shock or personal injury, mount outlet box marked "acceptable for fan support" and use mounting screws provided with the outlet box. Most outlet boxes commonly used for the support of lighting fixtures are not acceptable for fan support and may need to be replaced. Consult a qualified electrician in doubt.

6

Step 6 - Attaching Safety Cable

For added security, attach Safety Cable from fan unit to "J" Hook (S8) in outlet box. Secure by looping Zip Tie (S9) through the Safety Cable and "J" Hook. Tighten Zip Tie securely.



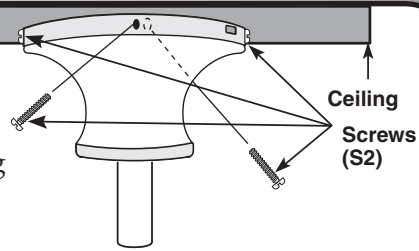
NOTE: "J Hook" installation is a Canadian requirement.

Lift the outer housing (#3) onto the mounting plate (#1A) and secure with outer housing screws (S5).

7

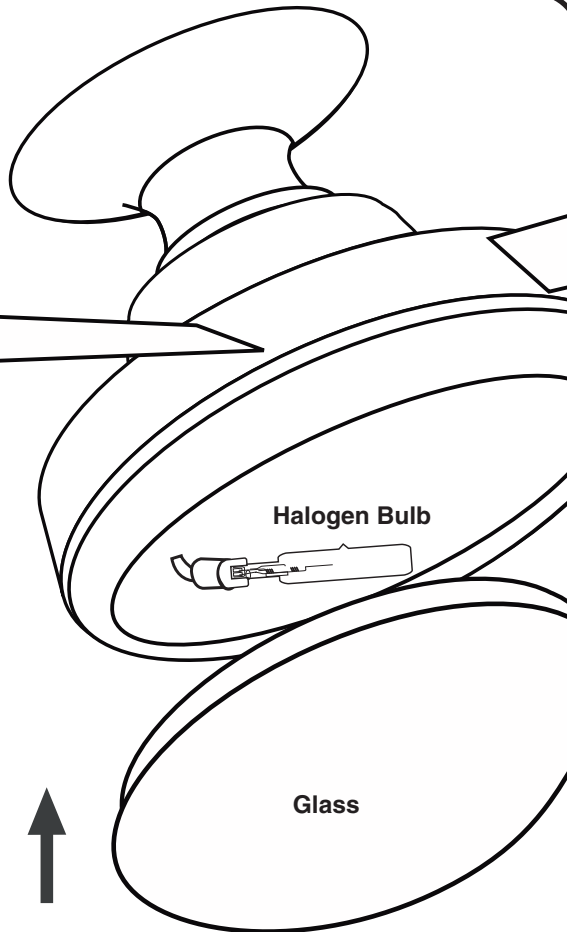
Step 7 - Attaching Canopy

Attach Canopy (#3) to the Mounting Plate by aligning Canopy slots to Screws in the mounting Plate. Twist clockwise to lock into place. Use two more Screws to tighten firmly.

**8**

Step 8 - Installing Glass

Install halogen light bulb into fan. Seat bulb firmly into socket as shown. Then install glass by raising glass to fan and turning glass clockwise until firmly seated.

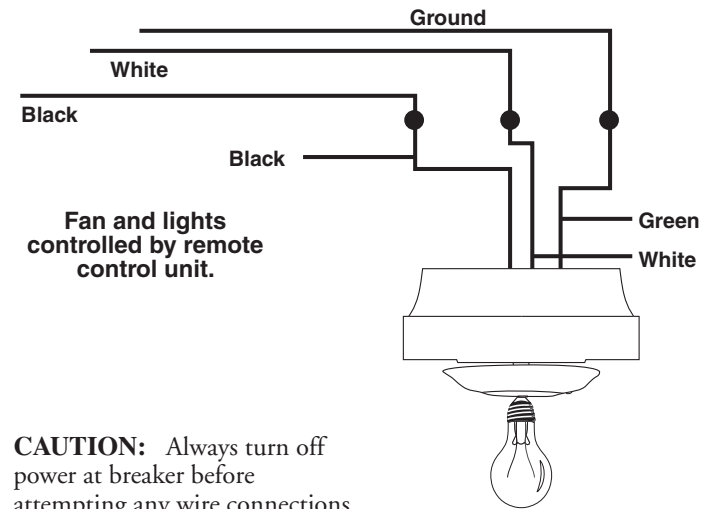


↑
Push up and twist glass

9

Electrical Connections

Connect black fan wires to black outlet wire. Connect white fan wire to white outlet wire and green grounding lead wire from the grounding conductor to the supply circuit (see figure A). Use wire connectors provided with your fan. No loose strands or loose connections should be present. Turn splices upward and carefully push all wiring into outlet box. When wall switches are employed, switches should be UL listed for use with ceiling fan.



CAUTION: Always turn off power at breaker before attempting any wire connections.