
VITA™ Owner's Manual

READ AND SAVE THESE INSTRUCTIONS!

Safety and the proper operation of your Casablanca fan both require a thorough knowledge of the product and proper installation; therefore, before attempting to install and operate your Casablanca fan, read this owner's manual completely and carefully. Retain this manual for future reference.

CAUTION: To avoid possible electrical shock, make certain that electricity is turned off at the circuit breaker or fuse box before attempting any installation procedure.

CONTENTS

INTRODUCTION	
Before You Start	2
Safe Use	2
MOUNTING RECOMMENDATIONS	
General Guidelines	3
Sloped Ceiling Installations	3
FAN INSTALLATION	
Getting Started	4
Crossbar Mounting Bracket Installation	4
Lag Screw Installation (Required)	5
Canopy Installation	5
Fan Preparation	6
Hanging the Fan	8
Canopy Electrical Connections	8
Canopy Hatch Installation	8
Blade Installation	9
Light Fixture Installation	10
ADVAN•TOUCH® CONTROL	
Control Installation	12
Remote Operation	13
Changing Transmitter Frequency Setting	15
TROUBLESHOOTING	16
CARE RECOMMENDATIONS	17
PRODUCT SPECIFICATIONS	17

INTRODUCTION BEFORE YOU START

- **CAUTION: RISK OF ELECTRICAL SHOCK!** Installation is to be in accordance with the National Electrical Code, ANSI/NFPA 70-1999 and local codes. If you are unfamiliar with the wiring codes, you should use a qualified electrician. To avoid overheating and possible damage to other equipment, do not install control to a receptacle, fluorescent light fixture, motor-operated appliance, or transformer-supplied appliance.
- This fan is designed to be installed on an existing electrical outlet box. The outlet box must be UL Listed for ceiling fan installations. If it is not, a new box must be installed. Casablanca extension poles are available for sloped or high ceiling installations.
- This ceiling fan requires a grounded electrical supply of 120 VAC, 60 Hz and a minimum 15 amp circuit. The maximum current requirement for the fan with light fixture is 2.85 amps. The fan uses about 1 amp or 100 watts. Maximum light current is about 1.85 amps or 190 watts of lighting.
- Where wire nuts are employed, be sure all bare wires are within the connectors. When installing the canopy hatch, make sure all wires are within the canopy and that no wires are being pinched.
- **WARNING:** Do not bend the blade brackets when installing the brackets, balancing the blades, or cleaning the fan. Do not insert foreign objects in between the rotating fan blades.

Unpacking

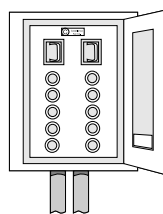
Before assembling and installing your ceiling fan, remove all parts from the shipping cartons and check them against the parts listed in the Parts Guide. Before discarding packaging materials, be certain that all parts have been removed.

**For best performance and for your warranty to be valid,
use only genuine Casablanca blades, light fixtures, and accessories.**

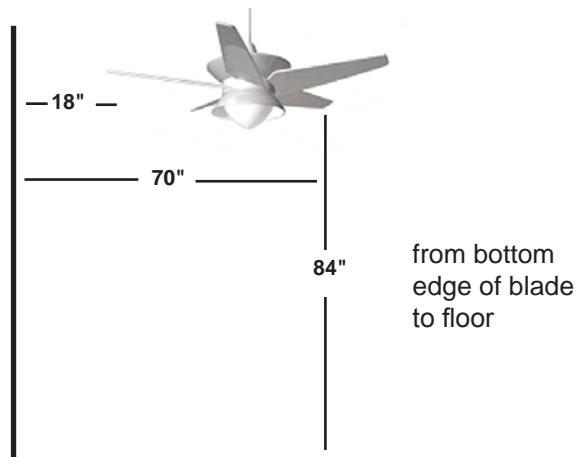
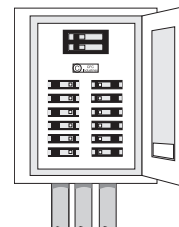
SAFE USE

- The blades in each pack are matched for equal weight to assure smooth fan operation. If more than one fan is being installed, be careful not to mix blades from different cartons.
- Inspect the contents of your carton for possible shipping or handling damage. If parts are missing or damaged, call 1-888-227-2178.
- It is always a good idea to have an assistant to help with the installation.
- When cleaning, painting, or working near your fan, be very careful of the fan and blades. Always turn the power OFF to the ceiling fan before working on it or replacing lightbulbs.
- Never insert anything into the path of the fan blades while the fan is in operation.
- Never install a fan over a pool or spa.
- Never operate a fan that has been damaged in any way. Contact Casablanca Fan Company by calling 1-888-227-2178, or contact your local authorized Casablanca dealer for assistance in obtaining service.

Fuse Box
(Remove fuse for the circuit you will be working on)



Circuit Breaker
(Trip breaker for the circuit you will be working on)



Dimensions indicated are the minimum allowable for proper installation.

MOUNTING RECOMMENDATIONS

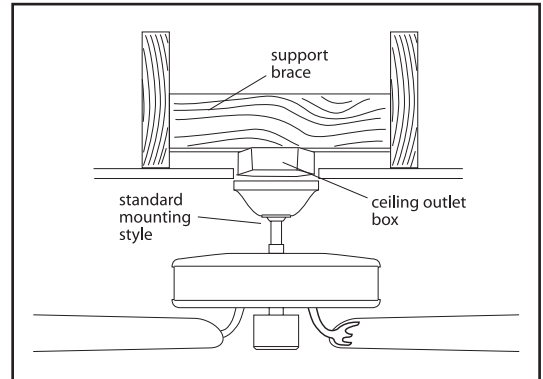
GENERAL GUIDELINES

Before mounting your Casablanca fan, read the following helpful recommendations. The location of the fan, air circulation, and fan size are all important factors to consider before installation.

Location

Ceiling fans have practical uses in almost every room in your home. We suggest you follow these mounting recommendations as you decide where to install your Casablanca fan.

- For safety reasons, the fan blades must be a minimum of 7' above the floor.
- Do not locate the fan in a doorway or above a swinging door.
- In bedrooms, fans work best when mounted above the foot of the bed.
- Over pool tables, be sure to provide plenty of clearance to avoid damage from pool cues.
- In kitchens, be sure to allow for open cupboard doors to clear the fan blades.
- Do not install a fan close to or over a pool or spa. High humidity combined with corrosive gases will destroy the finish and warp the blades.



Fan Size

Variable fan speed capability permits the use of a full-size 52" fan even in smaller rooms. For very large rooms, two fans may be needed.

SLOPED CEILING INSTALLATIONS

SUGGESTED EXTENSION POLE LENGTHS	
Ceiling Height	Pole Length
8' 0"	5"
8' 6"	5"
9' 0"	12"
9' 6"	12"
10' 0"	18"
11' 0"	24"
12' 0"	36"
13' 0"	48"
14' 0"	60"

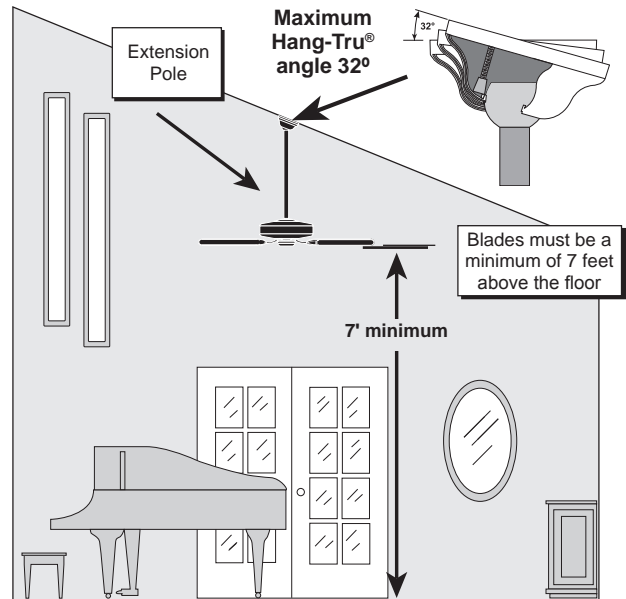
When to Use Extension Poles




For optimum performance and appearance, an extension pole should be used with your Casablanca fan when installing on high (cathedral) ceilings or sloped ceilings. Casablanca offers standard poles in increments of 6" up to 5'. Custom poles are available in lengths up to 9'9". See your Authorized Casablanca Dealer for details.

NOTE: Fan may wobble or vibrate if pole length is not long enough and inside blade is too close to downslope or side wall. Extending pole length will usually solve the problem.

Calculation of Ceiling Angle

Use the tear-off *Ceiling Angle Template* card inserted in this manual. It provides you with a simple "go" or "no-go" for installing your fan on a sloped ceiling.



- 
EXAMPLE 1 This slope is less than 32°. It is OK to install your fan.
- 
EXAMPLE 2 This slope is 32°. This is the maximum slope that will allow the fan to hang straight down. It is OK to install your fan.
- 
EXAMPLE 3 This slope is more than 32°. Your fan will not hang straight down; an adapter is necessary. Contact your local Authorized Casablanca Dealer in regards to purchasing a "Sloped Ceiling Adapter."

FAN INSTALLATION GETTING STARTED

Installing a New Ceiling Fixture Outlet Box

If you do not have an existing fixture located where you wish to place your Casablanca fan, an approved ceiling fixture outlet box must be installed and wired.

WARNING!

To reduce the risk of fire, electrical shock, or personal injury, mount to outlet box marked "Acceptable Fan Support of 22.7 kg (50 lbs.) or less" using the mounting hardware provided with the outlet box.

Using Existing Ceiling Fixture Outlet Box

After turning the power OFF at its source (either the circuit breaker or fuse box), lower the old fixture and disconnect the wiring. Check the ceiling fixture outlet box to be sure it is marked "Approved for Ceiling Fan Mounting." If it is not, a new box must be installed.

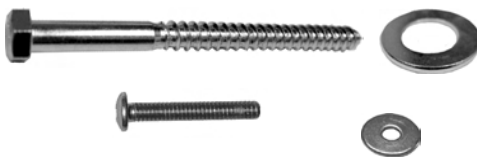
Note: The weight of this fan is 39 pounds.

CROSSBAR MOUNTING BRACKET INSTALLATION

CEILING HARDWARE (not to scale)



Crossbar Mounting Bracket



Screw Pack:
Lag Screw and Washer (1)
1" x 8-32 Roundhead Screw and Washer (2)

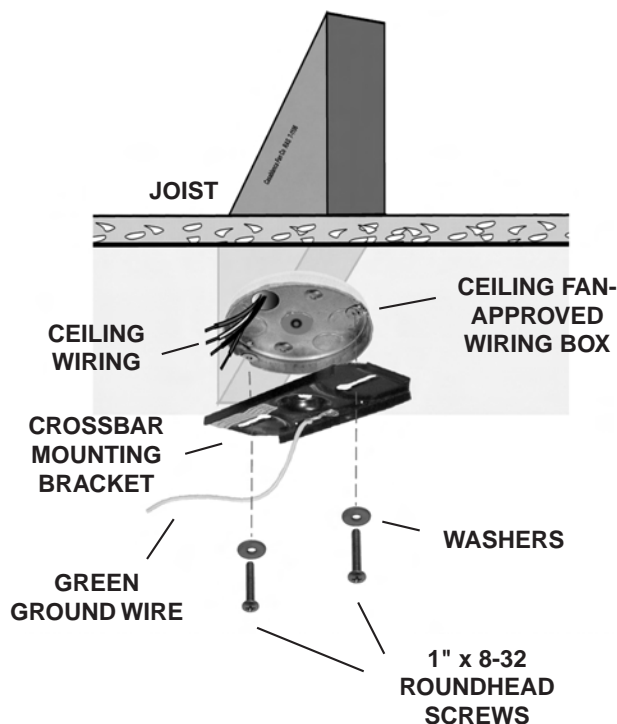


Wire Nut (4)

Note: After removing the old fixture, check the outlet box to ensure that it is supported by a joist or beam across its upper surface. If not, a 2 x 4 stud must be installed.

Step 1a. Remove the knockout plug in the center of the outlet box or drill a 1/2-inch hole for the lag screw to pass through. Then drill a 1/4-inch guide hole into the joist or beam to a depth of 3 inches.

Step 1b. Route the outlet box wires through the keyhole slot of the crossbar mounting bracket as shown. Attach the crossbar mounting bracket to the outlet box with the screws provided, making sure the outlet box wires are not pinched by the washer.



CAUTION:

To reduce the risk of personal injury, use only the mounting hardware provided with the approved outlet box to install the crossbar mounting bracket.

WARNING!

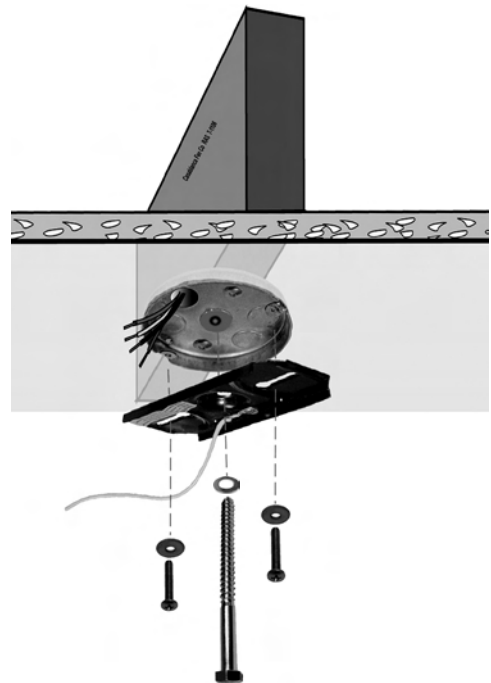
Support directly to building structure only.



LAG SCREW INSTALLATION

NOTE: This step is required only under two conditions: If the fan weighs 36 lbs. or more or if the existing ceiling fixture outlet box needs to be modified for a ceiling fan application (for example, if the house is not new construction and you are replacing an existing light fixture). We recommend that the ceiling box be of sufficient capacity to support the weight of the fan and light fixture under any conditions. If in doubt whether you need to install the lag screw, consult a qualified electrician.

Step 2. With the large washer attached, pass the lag screw through the center hole of the crossbar mounting bracket and screw into the guide hole. Tighten until the outlet box is mounted firmly to the beam. This box must be secured to the ceiling firmly.



CANOPY INSTALLATION

CANOPY HARDWARE (not to scale)

Canopy Hatch



Canopy



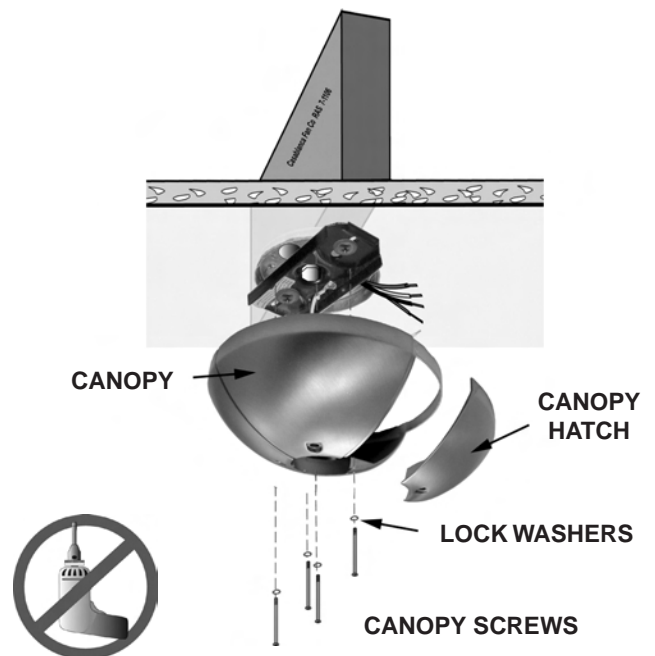
Canopy Screws and (4) Lock Washers



Phillips Screwdriver

Step 3. Attach the canopy to the crossbar mounting bracket with three of the 8-32 x 2 1/2" long canopy screws and lock washers provided with your Casablanca fan. Tighten using the provided screwdriver until snug against the ceiling.

NOTE: On sloped ceilings, align the canopy opening with the top or peak of the room.



FAN PREPARATION

PERMA•LOCK™ HARDWARE (not to scale)



Perma•Lock™ Downrod and Ball Assembly



Pole Cover and Screws (3)



Allen Wrench



(6) 15-Watt Upright Bulbs

IMPORTANT SAFETY INFORMATION:

Before starting the installation of your ceiling fan, install the threaded downrod into the motor coupling and lock the assembly.

Prepare for fan installation as follows:

Step 4a. Remove the paper shield from the motor as shown in Figure #1.

Step 4b. Using the provided Allen wrench (attached to the paper motor shield), loosen the Allen set screw.

Step 4c. Insert downrod through hanging adapter cover, then route the wires through the Perma•Lock downrod and ball assembly as shown in Figure #2. Insert the downrod into the motor coupling and turn it clockwise until it stops turning, ensuring that the pole has bottomed out as shown in Figure #3.

TIP: The downrod has a tapered thread that is designed to lock completely when installed correctly.

Step 4d. Tighten the set screw with the Allen wrench as shown in Figure #3 to ensure safe operation of your fan. If it is tight enough, you should not be able to turn the downrod counterclockwise with your hands. If in doubt, tighten the set screw with the Allen wrench until you cannot turn it any further.

CAUTION: Failure to fully lock in the downrod before securely tightening the Allen set screw may cause the fan to separate from the downrod and fall during normal operation.

PAPER MOTOR SHIELD



Figure #1

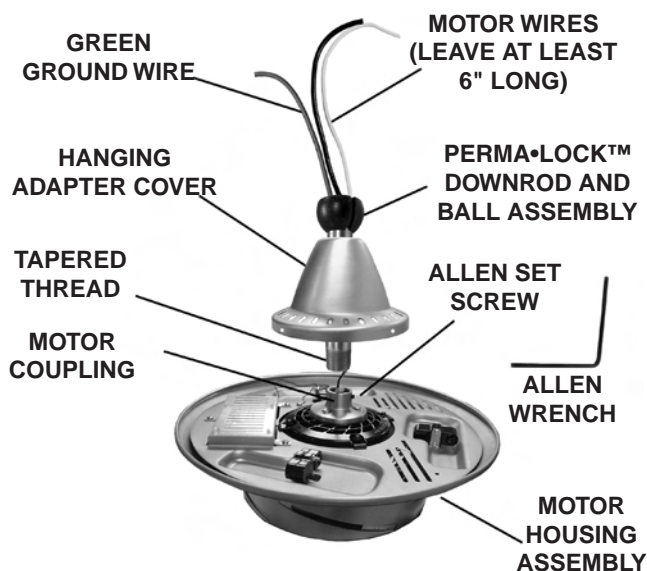


Figure #2

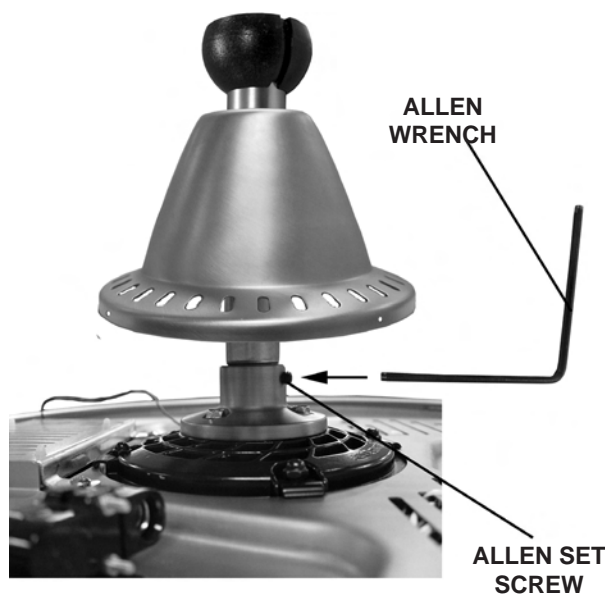


Figure #3

FAN PREPARATION - CONTINUED

Step 4e. Once set screw has been set, mount the hanging adapter cover to the top of the fan. Locate the three mounting tabs and screw holes as shown in Figure #1.

Step 4f. Slide the hanging adapter cover down over the motor mounting tabs. Align the holes in the hanging adapter cover with the holes in the mounting tabs (the holes will only align one way) as shown in Figures #2 and #3. Secure the hanging adapter cover to the fan with the three screws.

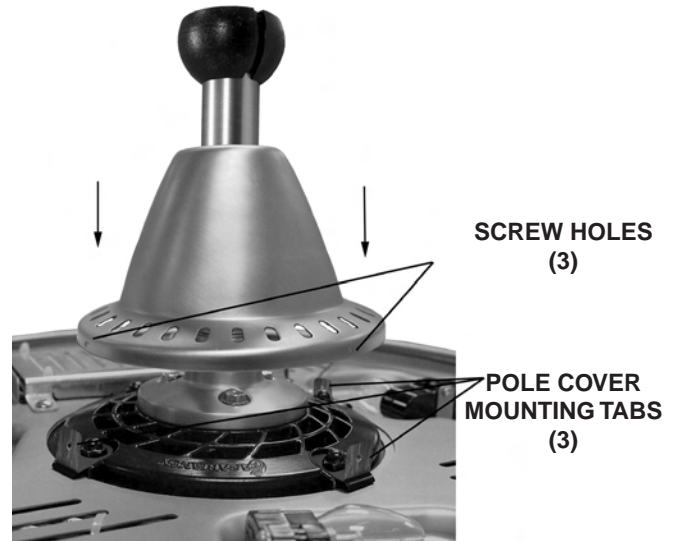


Figure #1



Figure #2



Figure #3

Install Lightbulbs:

Step 5a. Install the six lightbulbs for the upright as shown in Figure #4.



(6) 15-watt Uplight Bulbs

NOTE: When replacing these lightbulbs, be sure to use only 15-watt maximum.

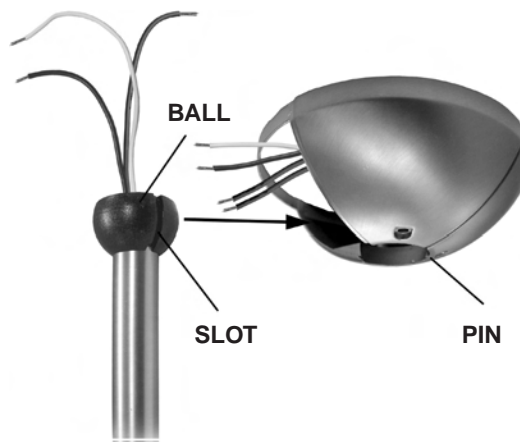


Figure #4

HANGING THE FAN

Step 6a. To hang the fan body in the canopy, hold the fan body firmly and insert the ball into the canopy opening. Check that no wires are pinched. Rotate the fan body until the slot in the ball fits into the pin opposite the canopy opening.

Step 6b. Trim excess motor wires, leaving at least 6 inches above the downrod. Strip 1/2-inch insulation from the end of each wire using a wire stripper (available at your local hardware store).



CANOPY ELECTRICAL CONNECTIONS

Step 7. Attach the fan wires to the ceiling fixture outlet box wiring by placing the bare ends of the wires side by side and then securing with a wire nut. Test that the connection is secure by pulling on the wire nut. Connect in this order:

- **GREEN** leads from mounting plate and downrod assembly of fan to **GROUND** conductor of power source. Secure with wire nut.
- **WHITE** wire from fan to white **NEUTRAL** wire in ceiling fixture outlet box. Secure with wire nut.
- **BLACK** power wire from fan to **BLACK** power wire in ceiling outlet box. Secure with wire nut.

After making the wire connections, the wires should be spread apart with the grounded conductor and the equipment-grounding conductor on one side of the outlet box and the ungrounded conductor on the other side of the box. The splices after being made should be turned upward and pushed carefully into the outlet box.

NOTE: If the color of your ceiling wires differs from that described, consult an electrician.



WIRE NUT

2 BLACK WIRES

2 WHITE WIRES

3 GREEN WIRES

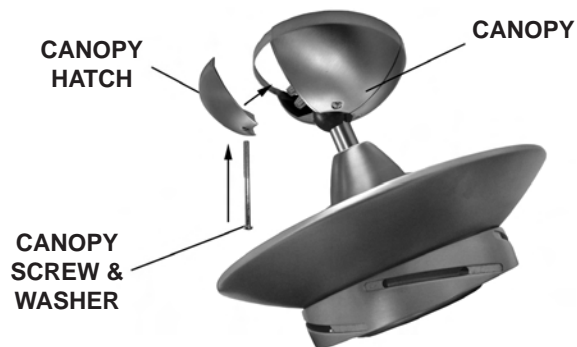


CANOPY HATCH INSTALLATION

Step 8a. Tuck the wires into the canopy with the wire nuts pointed upwards, so that the **WHITE** and **BLACK** wires are on opposite sides of the canopy and all wires are clear of the canopy opening.

Step 8b. Install the canopy hatch with the last canopy screw and lock washer using the provided screwdriver. To do this, tilt the fan body away from the hatch opening. Tighten the screws firmly.

Step 8c. Straighten the fan, then check to ensure there is no movement between the canopy and the ceiling or the Perma•Lock™ downrod and the ball assembly.



BLADE INSTALLATION

BLADE HARDWARE (not to scale)



Blades (5)



Blade Screws(16)



Washers (16)

Blade Installation

Step 9a. Before starting, locate the Casablanca logo on the blade as shown in Figure #1. When installing the blades on the fan, the logo needs to be facing down so that it can be seen from the floor.



Figure #1

Step 9b. Locate the blade slot on the side of the fan as shown in Figure #2, then insert the blade into the slot and align the holes in the blade with the holes on the fan as shown in Figure #3.

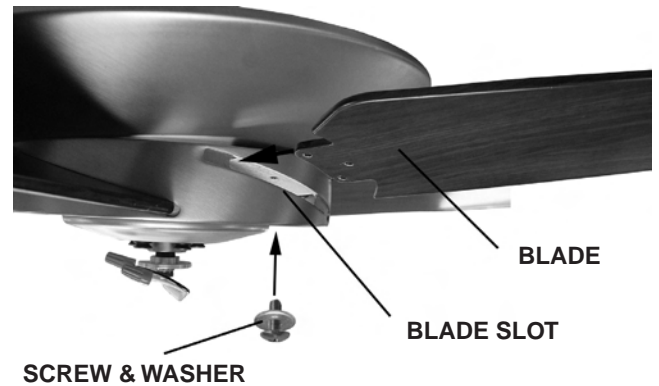


Figure #2

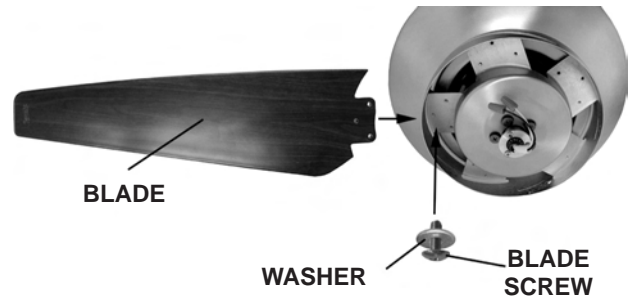
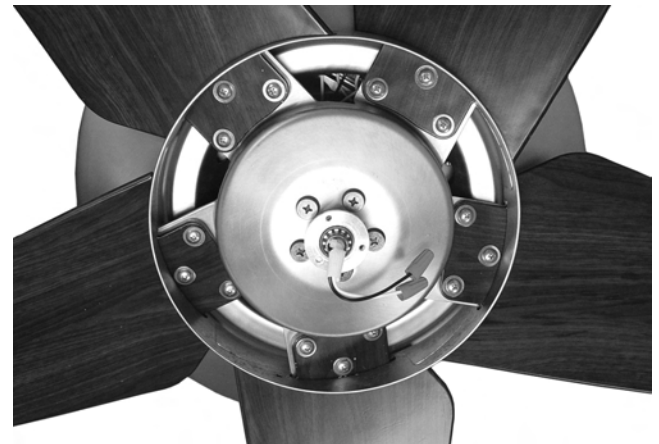


Figure #3

Step 9c. Using the blade screws and washers, mount the five blades onto the fan as shown in Figure #4.



CAUTION:
Blade screws must be tightened securely before operating the fan.

LIGHT FIXTURE INSTALLATION

SWITCH HOUSING HARDWARE (not to scale)



Light Fixture



(3) Light Fixture to Motor Housing Screws



Light Fixture Fitter



(2) Light Fixture Fitter Screws



(2) 50-watt Halogen Downlight Bulbs



Glass Shade

Light Fixture Assembly Installation

Step 10a. Hold the light fixture up to the motor. Feed the wires through the center hole and align the light fixture holes with the holes in the center of the motor as shown in Figure #1.

NOTE: When handling the light fixture, be careful not to bend or damage the antenna wire that has been installed around the light fixture.

Step 10b. Partially insert the three light fixture screws into the screw holes and tighten all three screws using the screwdriver as shown in Figure #1.

Step 10c. Remove the porcelain wire nuts from the wires and set aside for use in the next step.

Step 10d. Install two light fixture fitter screws halfway as shown in Figure #2.

Step 10e. Plug in the Antenna wire as shown in Figures #2 and #3.

Step 10f. Using the two porcelain wire nuts, connect the **BLACK** and **WHITE** wires from the fan to the **BLACK** and **WHITE** wires from light fixture fitter. Connect **BLACK** to **BLACK** and **WHITE** to **WHITE**.

Step 10g. Place the key holes in the light fixture fitter, over the partially installed screws in the light fixture. Rotate the light fixture fitter counterclockwise until the screws are firmly situated in the narrow end of the key holes. With the screwdriver provided, tighten the screws securely, making sure that the wires do not get pinched.



Figure #1

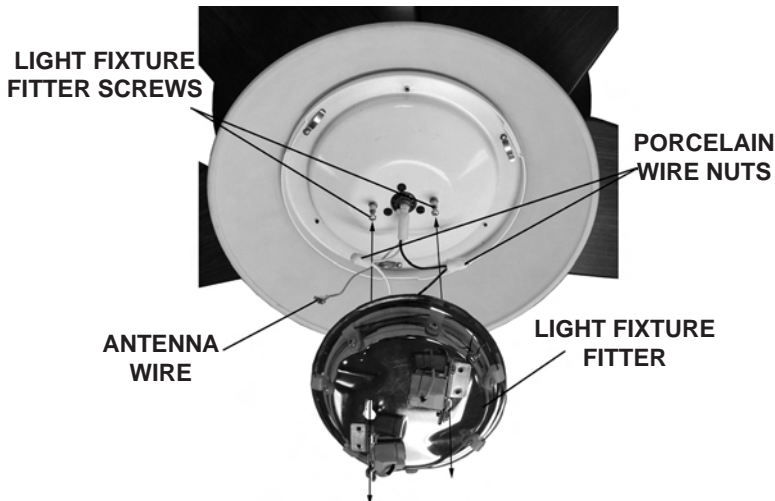


Figure #2



Figure #3

(2) 50-watt Halogen Downlight Bulbs



Install Halogen Bulbs

Step 11. Screw in the two bulbs as shown in Figure #1.

NOTE: When replacing lightbulbs, be sure to use only 50-watt maximum.

CAUTION! The remote control antenna that is installed around the lower light fitter is specially shaped to provide maximum range. Special care should be taken not to alter the shape during fan or bulb installation.

IMPORTANT! When installing a halogen bulb, carefully cut off the end of the plastic sleeve the bulb comes in and hold the bulb by the plastic sleeve to screw it into the socket.

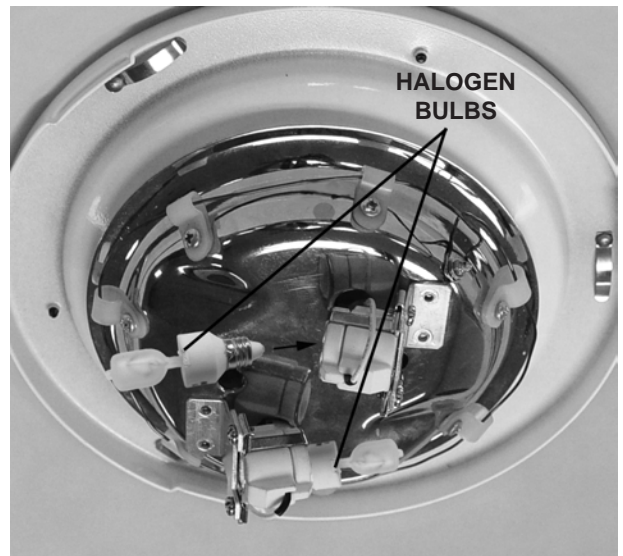


Figure #1

Glass Installation

Step 12a. Position the indentations in the outer rim of the glass shade so that they line up with the tabs on the inside surface of the fan light fixture rim as shown in Figure #2.

Step 12b. Carefully lift the glass shade up inside the light fixture as far as it will go as shown in Figure #2 and Figure #3.

Step 12c. Rotate the shade in a clockwise direction until it is held tightly in place by the three tabs as shown in Figure #4.

WARNING! When installing the glass, make sure that it does NOT get jammed in the light fixture. This could cause the glass to fall out and cause bodily injury or damage to furniture.

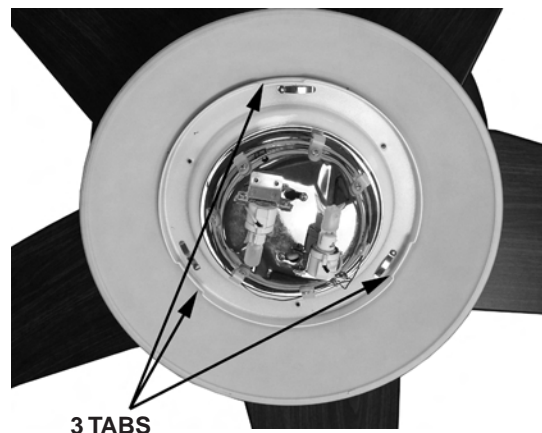


Figure #2

NOTE: In compliance with US Federal Energy Regulations, this ceiling fan contains a device that restricts the light fixture to a maximum of 190 watts. Exceeding that limit or the marked limit on this product may result in a fire hazard or improper operation.



Figure #3

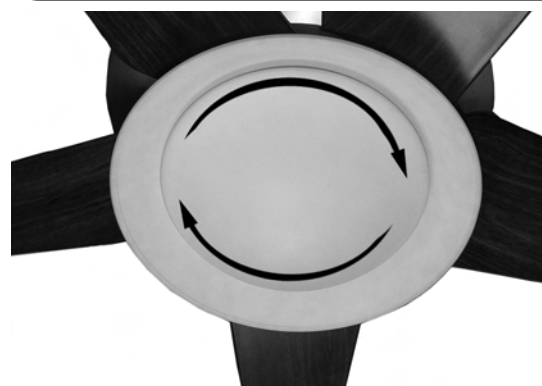
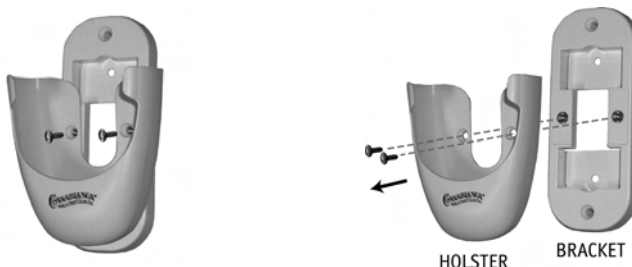


Figure #4

ADVAN•TOUCH® CONTROL INSTALLATION

W-63 BRACKET / HOLSTER REMOVAL

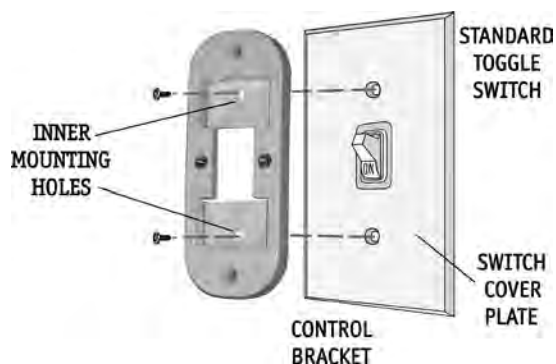
Step 1. Remove the two 6-32 x 5/16" screws holding the bracket to the holster. Set aside screws for later.



CONTROL BRACKET INSTALLATION

SAFETY FIRST: To reduce the risk of electrical shock, this fan must be installed with an isolating wall control/switch. **CAUTION!** Do not use with wall dimmer.

WARNING: To reduce the risk of fire or electric shock, do not use this fan with any solid state speed control device. Use only the control provided with this fan.



Standard Light Switch

Step A. Remove the two screws holding the switch cover plate. Do not remove the cover plate.

Step B. Orient the control bracket as shown and line up the two inner mounting holes with those on the switch.

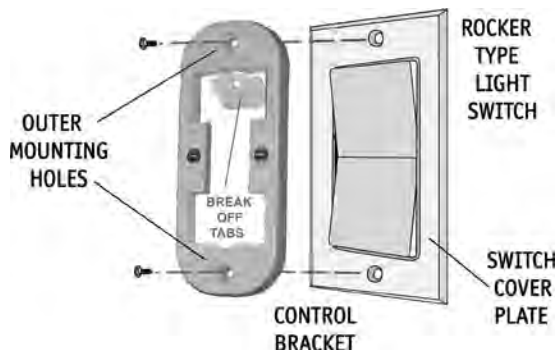
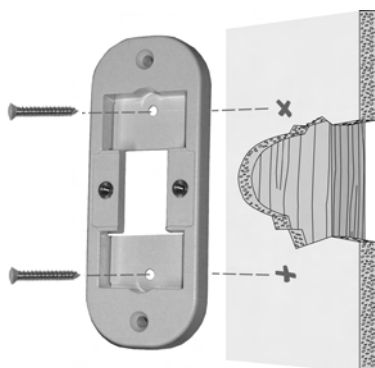
Step C. Insert and tighten the screws using the provided screwdriver.

Wall Installation

Step A. Locate a 2x4 wall stud in a convenient location.

Step B. Orient the control bracket as shown over the 2x4 stud.

Step C. Insert the 1" wood screws in either the inner or outer mounting holes and tighten using the provided screwdriver.



Rocker Light Switch

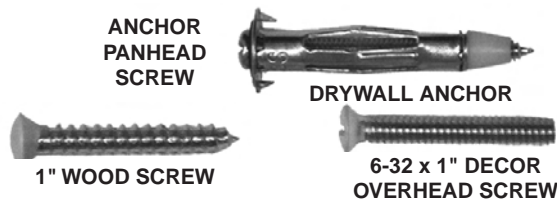
Step A. Break off the two tabs by pushing outward.

Step B. Remove the two screws holding the switch cover plate. Do not remove the cover plate.

Step C. Orient the control bracket as shown and line up the two inner mounting holes with those on the switch.

Step D. Insert and tighten the screws using the provided screwdriver.

NOTE: The wall anchors and 6-32 x 1" screws may be used in situations where mounting to a stud is not possible. Use the inner mounting holes. After securing the anchor, discard the anchor's pointed screws and use the 6-32 decor ovalhead screws supplied.



ATTACHMENT OF HOLSTER TO BRACKET

Step 2.

After you have completed installing the bracket to the wall, using the two screws removed in Step 1, attach the W-63 holster to the bracket.



BATTERY INSTALLATION

Step 3.

Open Battery Door by pressing down on the insert tab provided.



Step 4.

Install four “AAA” alkaline batteries in the space provided. Please observe proper polarity placement. Replace Battery Door.



IMPORTANT OPERATING NOTES

Power turned off, interrupted or failure:

The remote control is battery operated. Therefore if the power is turned off, interrupted, or you experience a power failure, the remote control remembers the previous setting for both fan and light.

Button operation:

Rapid button operation causes erratic fan operation.

For reliable operation of the remote control and fan, you must wait one second between button presses to allow the radio signal to be transmitted to the fan and received.

OPERATION

Fan Operation

The Advan•Touch fan is controlled by the remote control. The FAN button located in the center top row turns the fan on or off.

With the fan on, the control display will show an up or down moving arrow that indicates direction and places a box around the operating speed. It also will show you a moving fan image that tells you the fan is on and what direction the blades are moving (looking up from underneath the fan).

Just below the fan button, there are two ▲ and ▼ buttons. Press the ▲ button (on the left) to increase fan speed, once for each press, and the ▼ button (on the right) to decrease speed, once for each press.

Use the REVERSE button to change the direction of the rotation. REVERSE operates at any speed. The fan returns to its set speed after reversing. You will see the airflow direction arrow change each time you press REVERSE.

Light Operation

The light is turned on or off independently of the fan by pressing the LIGHT button. If you hold down the button, it becomes a dimmer. The light varies from “bright” to “dim” over approximately 8 seconds. This sequence will reverse the light when it reaches the brightest or dimmest level if you continue to hold the LIGHT button. Release the button when the desired level is reached.

Safe Exit™ Feature

To turn off the light, press the LIGHT button once. The light will increase slightly if less than 100% and gradually turn off, taking approximately 20 seconds. (If set at 100%, light will decrease to about 50% and then gradually turn off.) This enables you to leave a room or your home safely before the lights go out completely.

Press the LIGHT button two times and the light will immediately dim to about half and then turn off completely.

The fan will remember the last light setting and will come on at that setting until charged.

Bulb Saver Feature

When the light is turned on, the brightness will take 1.5 seconds until it reaches the present level. This feature helps extend lightbulb life.



Light Operation

Your W-63 control allows for the separate or combined control of the uplight and downlight.

Choosing the Light Control Sequence

1. Press the LIGHT button.
2. The light icon will come on and right next to it will either be:
 - Up** – For controlling the uplight only
 - Dn** – For controlling the downlight only
 - Up
Dn** – For controlling both the uplight and the downlight at the same time.
3. Leaving the LIGHT button on, press and hold the REVERSE button for at least 3 seconds until the light graphic changes. Press and hold the REVERSE button until the desired light control is shown.



Controlling Both Lights at the Same Time

1. Make sure you have the **Up** icon next to the bulb icon. If not, repeat the steps under "choosing the light control sequence."
2. Turn the light off, then press and hold the LIGHT button. After 2 seconds, the lights will both come on at the lowest setting and gradually become brighter.
3. Release the LIGHT button when the desired brightness is reached.



Controlling the Uplight Only

1. Make sure you have the **UP** icon next to the bulb icon. If not repeat the steps under "choosing the Light Control Sequence."
2. Turn the light off, then press and hold the LIGHT button. After 2 seconds, the down light will come on at the lowest setting and gradually become brighter.
3. Release the LIGHT button when the desired brightness is reached.

Controlling the Downlight Only

1. Make sure you have the **Dn** icon next to the bulb icon. If not repeat the steps under "Choosing the Light Control Sequence."
2. Turn the light off, then press and hold the LIGHT button. After 2 seconds, the downlight will come on at the lowest setting and gradually become brighter.
3. Release the LIGHT button when the desired brightness is reached.

For All Light Sequences

1. The fan will remember at which sequence you last set the light function. Every time the LIGHT button is pushed on, the light's brightness and the last sequence will come on.
2. The light's control will go through a "Safe Exit" program when you push the LIGHT button ONCE. The light will increase slightly and then will gradually decrease until it turns off. This will take approximately 20 seconds.
3. To turn the light off immediately, push the LIGHT button two times rapidly.





SECURITY FEATURE

Pressing the SECURITY button will start the Security lighting program. The controller beeps and indicates "SECURITY." The light will automatically turn ON and OFF in a seemingly random manner over an eight and 8¼-hour programmed cycle that is designed to give the home a "lived-in" look.

Regardless of the light setting when switching to the Security mode (lights on or off, dim or bright), the lights will increase to high brightness and then begin the Security cycle. This cycle is then repeated continuously until cancelled by pressing the SECURITY button.

At any time during Security mode, you can adjust the fan speed, reverse the direction, operate in Auto Speed or Winter mode, use Saver, or run the Test mode without affecting Security mode.

You may still turn the light ON and OFF (or OFF and ON) manually for temporary lighting, but the light will continue to operate automatically at its programmed times.



SECURITY MODE CYCLE

- | | |
|------------------------------------|-----------------------------------|
| 1. On for 60 minutes (80% bright) | 4. Off for 60 minutes |
| 2. Off for 30 minutes | 5. On for 90 minutes (50% bright) |
| 3. On for 120 minutes (30% bright) | 6. Off for 60 minutes |

HOME-SAFE® PROGRAM

The Home-Safe Program makes an unoccupied home appear occupied by turning the lights on and off at random times.

To enter the Home-Safe Program:

1. Turn the **POWER** off for at least three seconds.
2. Turn the **POWER** on.
3. Immediately operate the buttons in the following sequence:
4. A tone and flashing light indicate this command has been accepted.

This program overrides all manual control of lights and fan. The lights will now be automatically cycled on and off in a controlled sequence as follows: On 1 hour, off 1/2 hour, on 2 hours, off 1 hour, on 1/2 hour then off 2 hours.

This seven hour pattern will repeat continuously so that a different pattern of lighting is seen each day of the week.

To cancel the Home-Safe Program, turn the **POWER** off for three seconds.

CHANGING FREQUENCY SETTING

Note: All fans leave the factory set to "10000."

You will have to change the dip switch settings in the remote if you are using more than one fan in the same area and want to control them separately.

Step 1. At the circuit breaker or fusebox, turn the power off for the fan you want to change.

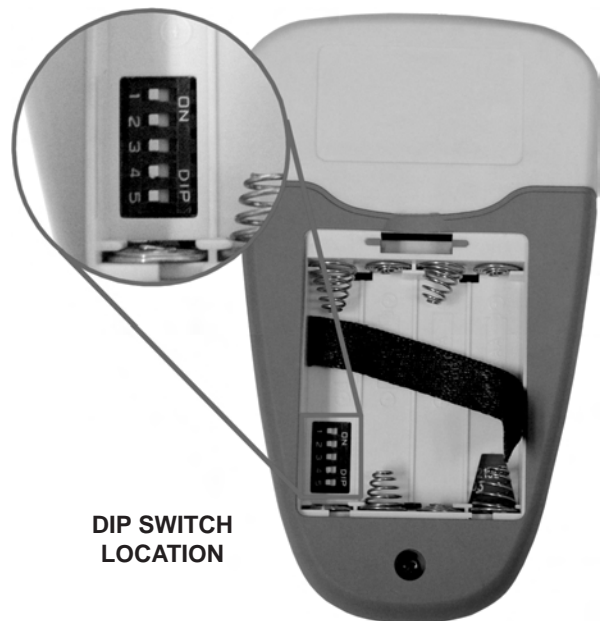
Step 2. Open the battery door of the Advan•Touch control and remove the first battery on the left to gain access to the dip switches.

Step 3. Change the dip switch settings, assuring that they are different from the previously installed Advan•Touch fan(s).

Step 4. Re-install the battery in the proper polarity and the battery door on the control.

Step 5. At the circuit breaker or fuse box, turn the power back on for the fan whose frequency you are changing.

Step 6. Within 20 seconds of restoring power, push the up and down buttons at the same time. Hold for a few seconds. You will see the LCD screen flash all of the graphics. You will now have control of the fan.



DIP SWITCH LOCATION

Note: You may want to label your controls to ensure you do not mix them up.

TROUBLESHOOTING TIPS

Please refer to this troubleshooting guide before requesting service or contacting your dealer for assistance.

PROBLEM	POSSIBLE REMEDIES
Fan will not start	<ul style="list-style-type: none"> • Check the main circuit fuses, circuit breakers, and wall switch position. Check all wire connections. Make sure the power is turned off during this inspection. • Pin connectors are not making good contact. Check all connections. • The battery is weak. Install a fresh battery. • The fan receiver is defective. Replace the fan receiver. • Check the frequency setting: Turn the power off at the circuit breaker for the fan that is not functioning only. Check that the jumper switches match in both the receiver and the transmitter. Turn the power back on (at the circuit breaker) and push the up and down buttons at the same time, within 20 seconds from restoring power.
Fan wobbles or shakes excessively	<ul style="list-style-type: none"> • Be sure the canopy pin is set properly into the slot on the ball. • Check that the bladeholders have not been bent during installation and the blades are balanced. • The hanger bracket and/or the ceiling outlet are attached too loosely. Make sure the hanger bracket is attached tightly to the ceiling outlet box and the downrod assembly is secured firmly. • The downrod is attached to the downrod base too loosely. Make sure all the screws are securely tightened.
Fan is noisy during operation	<ul style="list-style-type: none"> • When changing fan speeds, you may hear several audible clicks. This is normal operation. • Check and tighten the light fixture retaining screws, glass shade screws, and/or lightbulb(s). • Tighten the canopy screws and mounting plate assembly. Make sure the wire nuts inside the canopy and switch housing are not touching the metal parts and that they have not fallen off the wire splices. Tighten as necessary. • Tighten the blade holders to the flywheel (or Direct Drive motor) and the blades to the bladeholder screws. • Make sure all the screws in the motor housing are snug but not overly tight.
Fan does not run on low speed	<ul style="list-style-type: none"> • If fan is new, it may need to be “broken in.” Run at high speed for several days.
Battery life is short	<ul style="list-style-type: none"> • Replace with alkaline batteries.

NOTE: In compliance with US Federal Energy Regulations, this ceiling fan contains a device that restricts the light fixture to a maximum of 190 watts. Exceeding that limit or the marked limit on this product may result in a fire hazard or improper operation.

This device complies with RSS-210 of Industry Canada. Operation is subject to the following two conditions: (1) this device may not cause interference, and (2) this device must accept any interference, including interference that may cause undesired operation of the device.

1. This device complies with part 15 of the FCC Rules. Operation is subject to the following two conditions: (1) this device may not cause harmful interference, and (2) this device must accept any interference received, including interference that may cause undesired operation.

2. This equipment has been tested and found to comply with the limits for a Class B digital device, pursuant to Part 15 of the FCC Rules. These limits are designed to provide reasonable protection against harmful interference in a residential installation. This equipment generates, uses and can radiate radio frequency energy and, if not installed and used in accordance with the instructions, may cause harmful interference to radio communications. However there is no guarantee that interference will not occur in a particular installation. If this equipment does cause harmful interference to radio or television reception, which can be determined by turning the equipment off and on, the user is encouraged to try to correct the interference by one or more of the following measures: Reorient or relocate the receiving antenna, increase the separation between the equipment and receiver, connect the equipment into an outlet on a circuit different from that to which the receiver is connected. Consult the dealer or an experienced radio/TV technician for help. Note: Any changes or modifications to the transmitter or receiver not expressly approved by Casablanca Fan Company may void one's authority to operate this remote control.

CARE RECOMMENDATIONS

Fan Finishes

- For cleaning, a soft brush or lint-free cloth should be used to prevent scratching the finish.
- A vacuum cleaner brush nozzle can remove heavier dust.
- Surface smudges or an accumulation of dirt and dust can be removed easily using a mild detergent and slightly dampened soft cloth. An antistatic agent may be used, but **never use abrasive cleaning agents** as these will damage the finish.

Blades

- Wood-finish blades should be cleaned with a furniture polishing cloth. Occasionally, a light coat of furniture polish may be applied for added protection and beauty.
- For painted and high-gloss blades, surface smudges or an accumulation of dirt and dust can be removed easily using a mild detergent and slightly dampened soft cloth. An antistatic agent may be used, but **never use abrasive cleaning agents** as these will damage the finish.

No Need for Lubrication

- **Never lubricate this fan!** The precision motor at the heart of your Casablanca fan features sealed bearings that are lubricated for life.
- Do not attempt to oil the motor.

Changing Lightbulbs

- Be sure to turn the power to OFF at the wall switch or circuit breaker before changing lightbulbs.
- Replace bulbs with the same type as you removed from the light fixture.
- The maximum wattage rating for this fan's light kit is 90 watts for the uplight, 100 watts for the downlight.

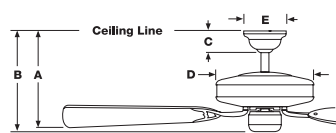
For questions or to locate the nearest Casablanca Authorized Service Center
call toll free: 1-888-227-2178
 or visit us on the web at: www.casablancafanco.com

PRODUCT SPECIFICATIONS

Model Name: Vita
Model Number: C17GxxA

Dimensions:
 A = 11.6"
 B = 16.5"
 C = 2.7"
 D = 16"
 E = 7"

NOTE: Dimension B includes light fixture and glass.



Weight: 39 lbs.

Motor: XLP Plus™
Blade Span: 52"
Blade Iron Pitch: 13°
No. of Blades: 5
Technology: Advan•Touch™ W-63
Lightbulbs: (6) 15-Watt C7
 (2) 50-watt halogen

Airflow: 6,885 cfm
Electricity Use*: 120 watts
Airflow Efficiency*: 57.6 cfm/watt

** Performance data is for fan only. No lighting wattage is included.*