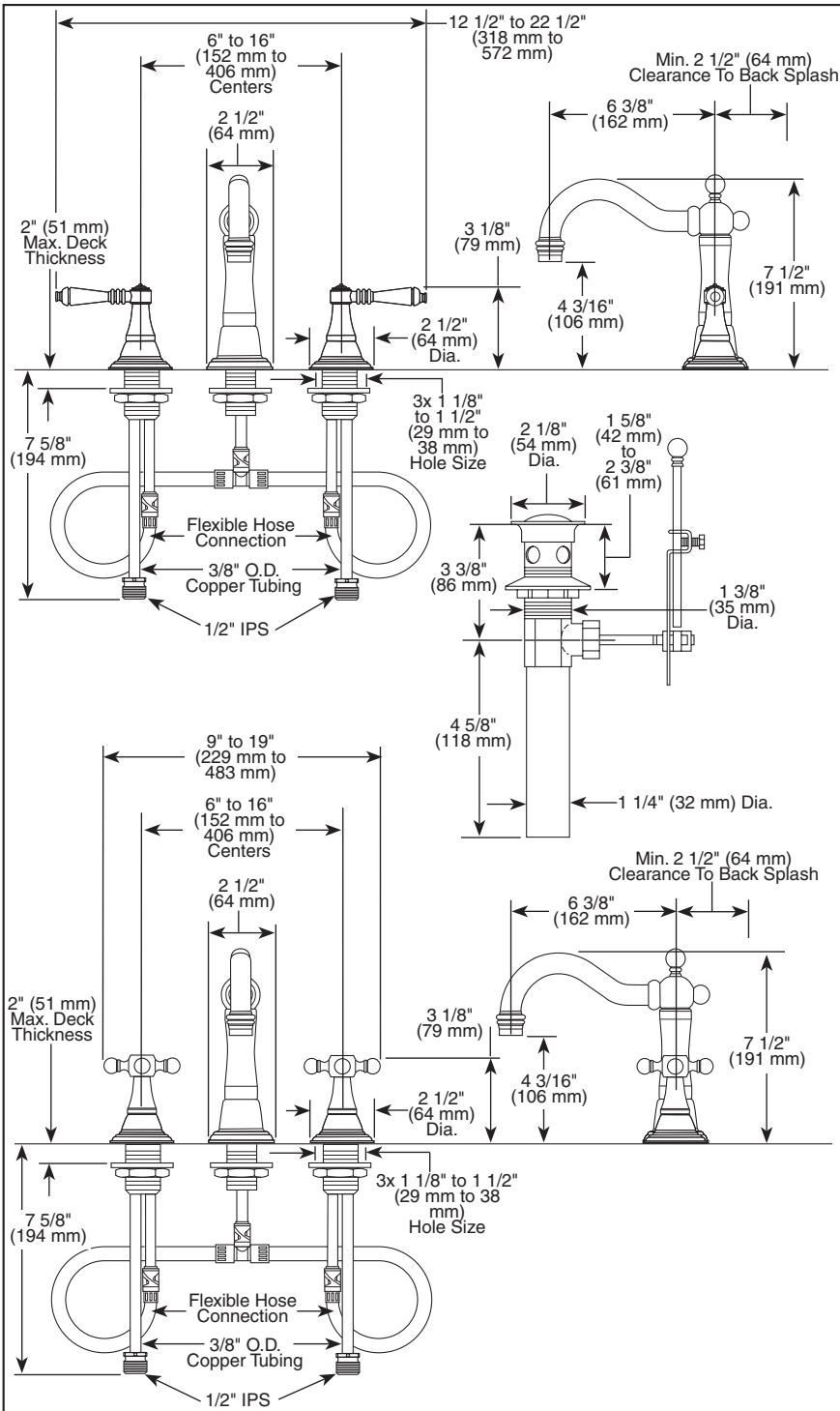


Submitted Model No.: _____

Specific Features: _____



▲ Designate Proper Finish Suffix

Delta reserves the right (1) to make changes in specifications and materials, and (2) to change or discontinue models, both without notice or obligation. Dimensions are for reference only. See current full-line price book or www.brizo.com for finish options and product availability.

BSP-L-65336 Rev. C

BRIZO®

LAVATORY

FAUCETS

- Tresa® Bath Collection
- Two Handle Widespread Deck Mount
- 3 Hole Sink Applications
- 6" to 16" Centers
- Quick-Snap® Installation

STANDARD SPECIFICATIONS:

- Solid brass fabricated end valve and spout bodies.
- Widespread - 6" (152mm) to 16" (406 mm) centers.
- 6 3/8" (162 mm) long, 7 1/2" (191 mm) high rigid spout.
- Quick-Snap® installation.
- 1/4 turn handle stops.
- Hot and cold stems are interchangeable.
- Control mechanism is a rotating cylinder with 90° rotation, with replaceable non-metallic seats operating in stainless steel lined sockets.
- 3/8" O.D. copper supply tubes with 1/2" IPS adapters.
- Models have metal drain with pop-up type fitting with plated flange and stopper.
- Flexible hose connections.
- Accomodates up to 2" deck thickness.
- Maximum flow rate 1.5 gpm @ 60 PSI.
- Ceramic disc valving.
- Note: Standard mounting deck thickness can be extended 1" with RP10612.

WARRANTY

- Lifetime Faucet and Finish Limited Warranty to the original consumer purchase to be free from defects in material and workmanship.
- 5 Year Limited Warranty for usage in all industrial, commercial and business applications.

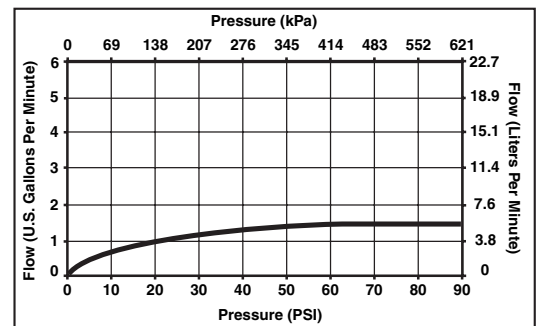


COMPLIES WITH:

- ASME A112.18.1 / CSA B125.1
- ASME A112.18.2 / CSA B125.2



- Indicates compliance to ICC/ANSI A17.1
- EPA WaterSense
- "LF" models verified compliant with .25% weighted average Pb content regulations.



Delta Faucet Company

55 E. 111th Street, Indianapolis, Indiana 46280
 395 Matheson Blvd. E., Mississauga, ON L4Z 2H2
 © 2009 Masco Corporation of Indiana