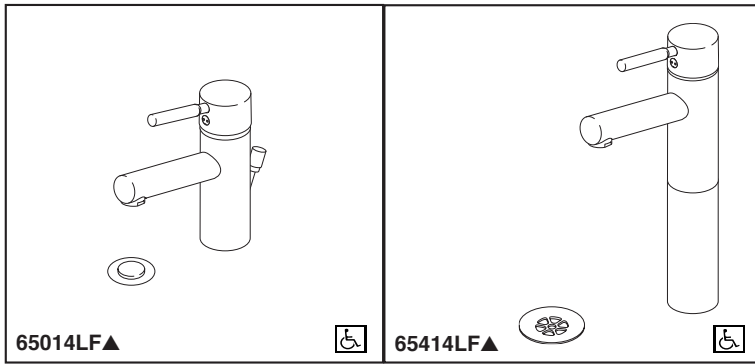


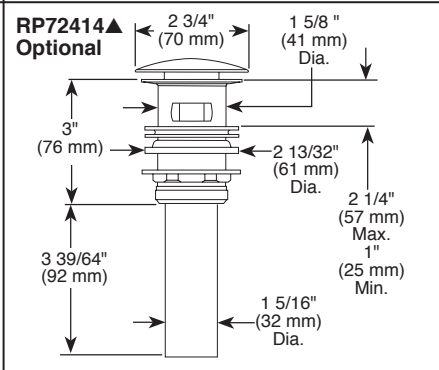
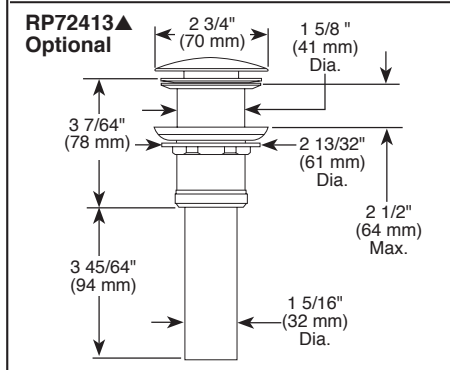
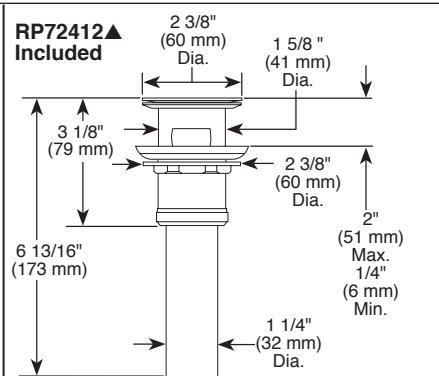
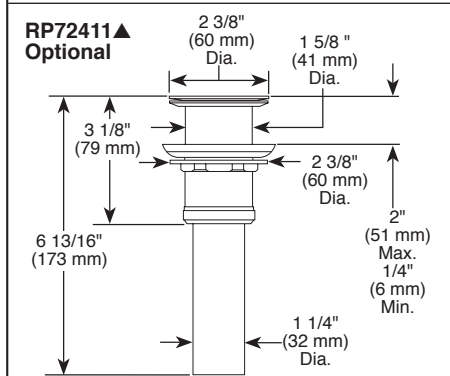
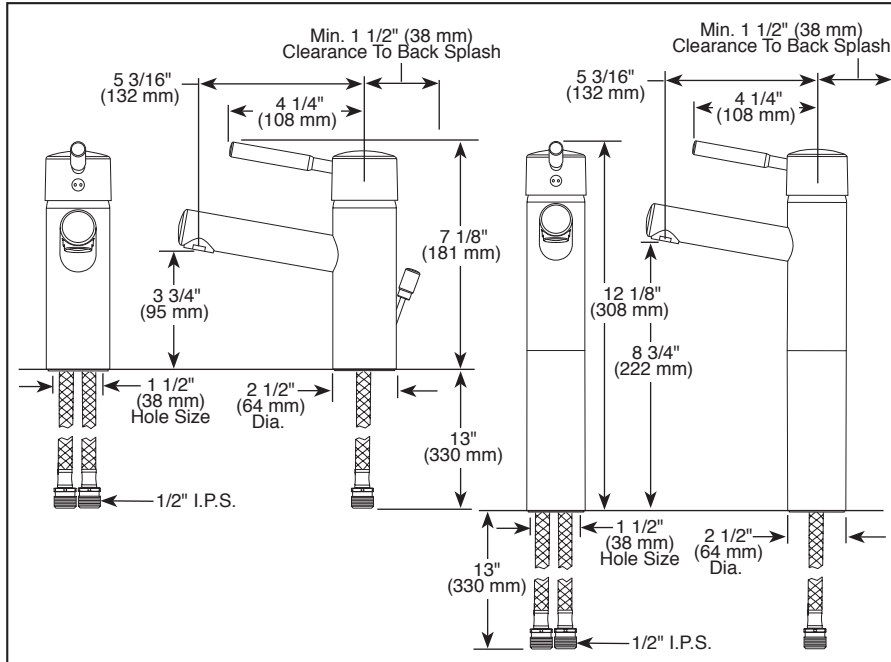
# BRIZO®

## LAVATORY FAUCETS

- Quiescence® Bath Collection
- Single Handle & Vessel Deck Mount
- Single Hole Mount



Submitted Model No.: \_\_\_\_\_  
 Specific Features: \_\_\_\_\_



### STANDARD SPECIFICATIONS:

- Single handle lavatory faucet for concealed mounting on 1 hole applications.
- Control mechanism shall be of the rotating ceramic cartridge type.
- Recommend 1 1/2" hole size.
- Metal drain has pop-up type fitting with plated flange and stopper (RP28653).
- The back edge of the faucet body must be at least 1 1/2" from the backsplash on wall in order to allow the lift rod to function properly.
- Vessel deck model includes metal grid strainer with overflow (RP72412).
- Optional push button drain assembly (RP72414 or RP72413) available. Optional grid strainer without overflow (RP72411) available.
- Maximum flow rate 1.5 gpm @ 60 PSI, 5.7L @ 414Pa.

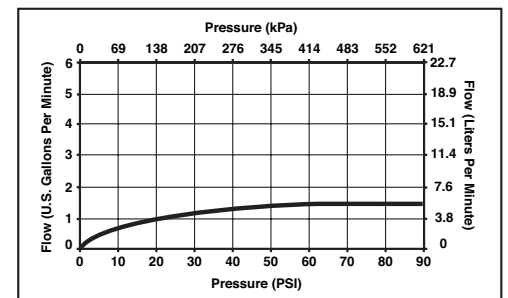
### WARRANTY

- Lifetime limited warranty on parts (other than electronic parts and batteries) and finishes: or, for commercial users, for 5 years from date of purchase.
- 5 year limited warranty on electronic parts (other than batteries); or, for commercial users, for 1 year from the date of purchase. No warranty is provided on batteries.



### COMPLIES WITH:

- ASME A112.18.1 / CSA B125.1
- ASME A112.18.2 / CSA B125.2
- Indicates compliance to ICC/ANSI A117.1
- EPA WaterSense®
- Verified compliant with .25% weighted average Pb content regulations.



### ▲ Designate Proper Finish Suffix

Delta reserves the right (1) to make changes in specifications and materials, and (2) to change or discontinue models, both without notice or obligation. Dimensions are for reference only. See current full-line price book or [www.brizo.com](http://www.brizo.com) for finish options and product availability.

### Delta Faucet Company

55 E. 111th Street, Indianapolis, Indiana 46280  
 350 South Edgeware Road, St. Thomas, ON N5P 4L1  
 © 2013 Masco Corporation of Indiana