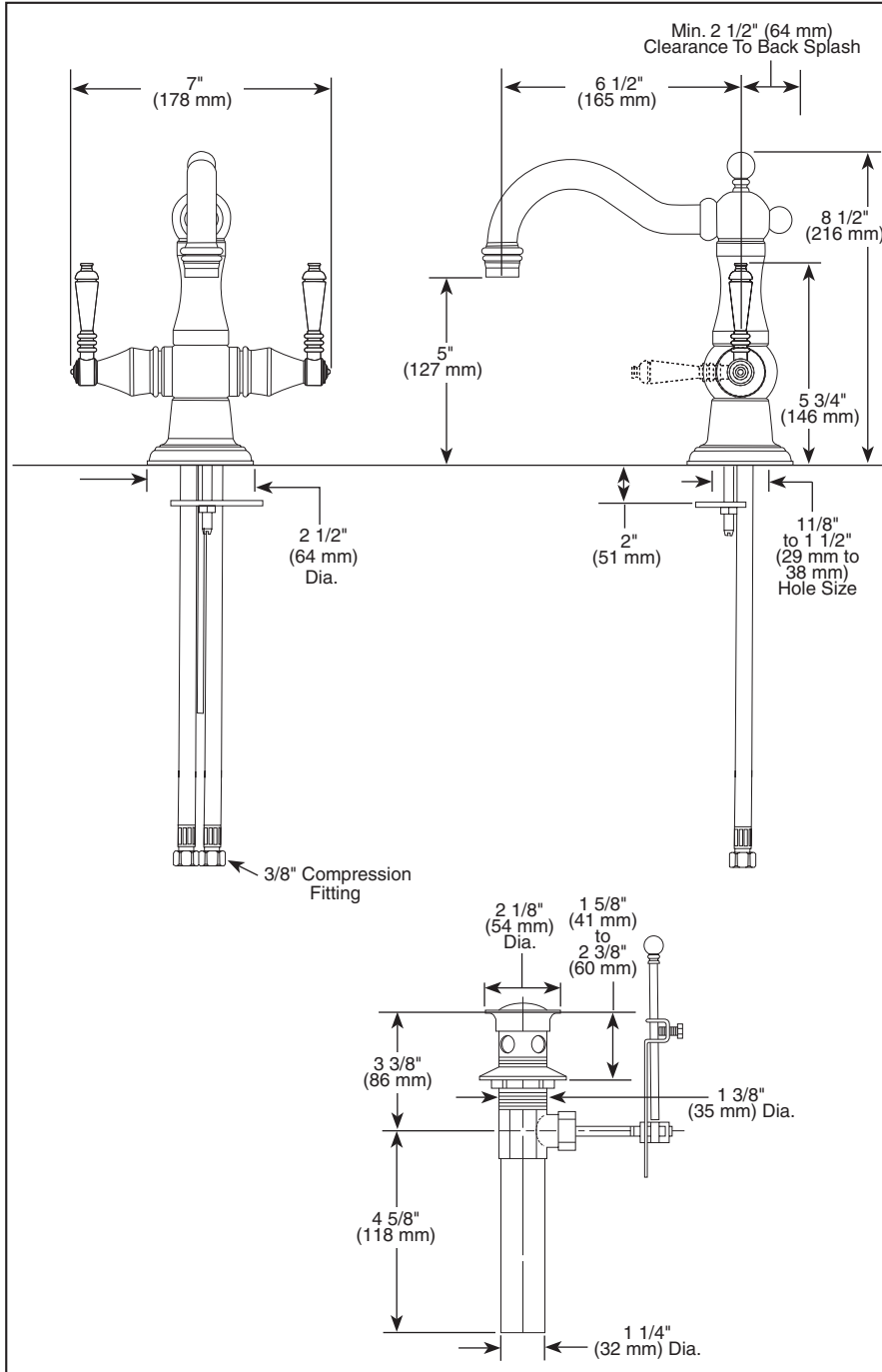


65136▲  
65136LF▲



Submitted Model No.: \_\_\_\_\_

Specific Features: \_\_\_\_\_



# BRIZO®

## LAVATORY FAUCETS

- Tresa® Bath Collection
- Two Handle Deck Mount
- Single Hole Mount

### STANDARD SPECIFICATIONS:

- Two handle lavatory deck faucet.
- Solid brass fabricated body.
- 6 1/2" (165 mm) long spout.
- 1 1/8" minimum - 1 1/2" maximum hole size.
- 30" inlet supply tubing with standard 3/8" compression fittings.
- Model has metal drain with pop-up type fitting with plated flange and stopper.
- Accomodates up to 2" deck thickness.
- Ceramic disc valving.
- Control mechanism shall be of the rotating cylinder type with 90° rotation, with replaceable non-metallic seats, operating in stainless steel lined sockets.
- Maximum flow rate 1.5 gpm @ 60 PSI.

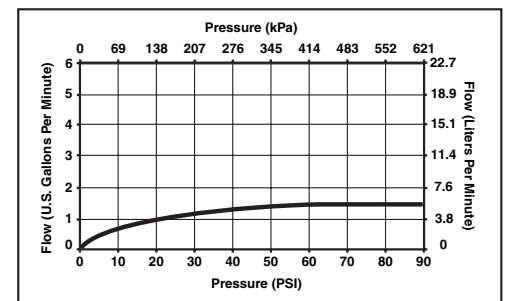
### WARRANTY

- Lifetime Faucet and Finish Limited Warranty to the original consumer purchaser to be free from defects in material and workmanship.
- 5 Year Limited Warranty for usage in all industrial, commercial and business applications.



### COMPLIES WITH:

- ASME A112.18.1 / CSA B125.1
- ASME A112.18.2 / CSA B125.2
- Indicates compliance to ICC/ANSI A117.1
- EPA WaterSense
- "LF" models verified compliant with .25% weighted average Pb content regulations.



### ▲ Designate Proper Finish Suffix

Delta reserves the right (1) to make changes in specifications and materials, and (2) to change or discontinue models, both without notice or obligation. Dimensions are for reference only. See current full-line price book or [www.brizo.com](http://www.brizo.com) for finish options and product availability.

### Delta Faucet Company

55 E. 111th Street, Indianapolis, Indiana 46280  
395 Matheson Blvd. E., Mississauga, ON L4Z 2H2  
© 2009 Masco Corporation of Indiana