

FEATURED MODEL

440598 SATIN NICKEL

ADDITIONAL MODELS

440599 ANTHRACITE & CHROME MIX

440600 CHROME

441203 CAFE BROWN & CHROME MIX

441205 BISCOTTI & CHROME MIX

441329 TRUFFLE & CHROME MIX

FEATURES

- Solid brass body
- Ceramic disk cartridge
- Extra long supply lines
- 2.2 GPM flow rate
- Installation in a 1-3/8" hole
- Color coded hot and cold supply lines
- 360 degree spout swivel
- 2-1/2" backsplash clearance off center
- 3-1/2" maximum deck thickness

CODE/STANDARDS COMPLIANCE

ASME A112.18.1-2011

NSF 61 certified

NSF 61 ANEX G low lead requirements

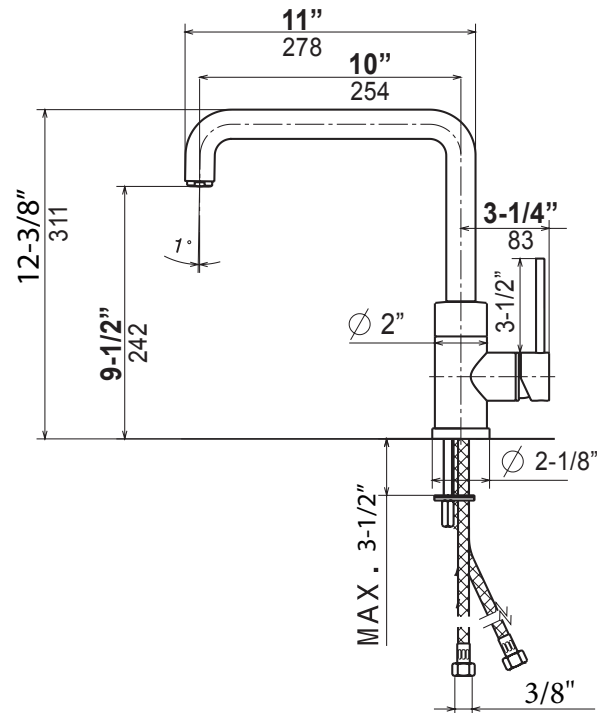
AB1953 Lead Free



Model 440599 shown

NOMINAL DIMENSIONS

REACH	SPOUT HEIGHT	FAUCET HEIGHT
10"	9-1/2"	12-3/8"



WARRANTY

BLANCO'S kitchen and bar faucets feature a LIMITED LIFETIME WARRANTY to be free of all manufacturing defects under normal use. See our complete warranty for details.

While BLANCO endeavors to provide accurate information, all dimensions are nominal, cannot be guaranteed, and are subject to change or cancellation. BLANCO assumes no responsibility for use of superseded or voided specifications.

JOB INFORMATION

Job Name: _____

Contact: _____

Date Specified: _____

Specifier: _____

Contractor: _____

See next page for exploded parts drawing and parts list.

BLANCO AMERICA

800.451.5782

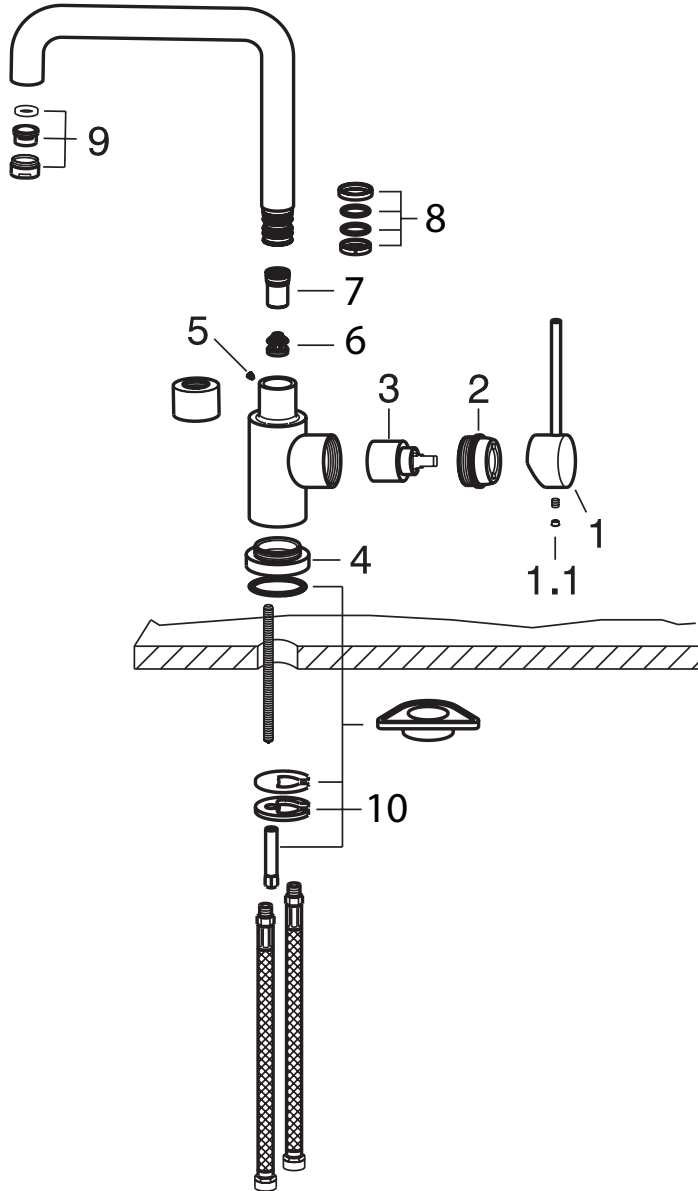
www.blancoamerica.com

© 2013 BLANCO AMERICA

10/14

SPEC-004

Old Model #: 157-097-ST



REPAIR PART GUIDE		
Num.	Description	Part #
1, 1.1	Handle - Satin Nickel	440896
1.1	Handle screw and cap	440890
2	Cartridge Lock Nut	441862
3	Cartridge	440877
4	Base - Satin Nickel	441864
5	Body set screw	441745
6	Diverter Tool for Diverter	440881 440873
7	Brass bushing	441898
8	Spout - Ring set	441744
9	Aerator kit	441748
10	Mounting assembly	441899

Need to Change a Faucet Cartridge?



Scan this QR code
to see our how-to video

For faucet technical support or questions,
please e-mail us at faucets@blancoamerica.com