

FEATURED MODEL

440320 Single, 7" bowl depth

FEATURES

- Required outside cabinet: 27"
- 20 gauge, 304 series stainless steel
- Premium 18/8 chrome/nickel content
- Satin finish
- Rear drain placement
- Sound deadening insulation

OPTIONAL ACCESSORIES

Stainless Steel Sink Grid: 221033

CODE/STANDARDS COMPLIANCE

ASME 112.19.3-00
IAPMO/UPC listed

For ADA guideline compliance, cabinet height must be a minimum of 34"

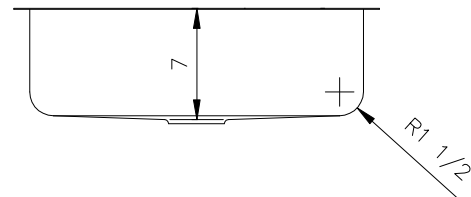
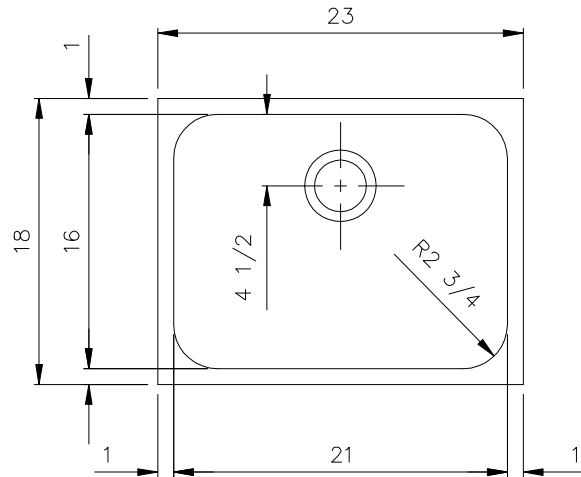


NOMINAL DIMENSIONS

Model 440320 shown

OVERALL	CUT OUT SIZE	BOWL DEPTH	DRAIN
23" x 18"	Template provided with approximate 1/8" reveal	7"	3-1/2"

DXF cutout templates available on our website.



WARRANTY

Blanco America's Stainless Steel sinks feature a LIMITED LIFETIME WARRANTY to be free of all manufacturing defects under normal use. See our complete warranty for details.

While Blanco America endeavors to provide accurate information, all dimensions are nominal, cannot be guaranteed, and are subject to change or cancellation. Blanco America assumes no responsibility for use of superseded or voided specifications.

JOB INFORMATION

Job Name: _____

Contact: _____

Date Specified: _____

Specifier: _____

Contractor: _____

BLANCO AMERICA

800.451.5782

www.blancoamerica.com

© 2013 BLANCO AMERICA

6/13

SPEC-003