

FEATURED MODEL

440164 Single Bowl, 8" bowl depth

FEATURES

- 18 gauge, 304 series stainless steel
- 18/10 chrome/nickel content
- Long-lasting, easy-to-clean, satin polished finish
- Rear drain placement
- Required outside cabinet: 21"
- Sound deadening pads

OPTIONAL ACCESSORIES

Sink Grid: 220994

CODE/STANDARDS COMPLIANCE

ASME 112.19.3-00

IAPMO/UPC listed

WARRANTY

Blanco America's Stainless Steel sinks feature a LIMITED LIFETIME WARRANTY to be free of all manufacturing defects under normal use. See our complete warranty for details.

While Blanco America endeavors to provide accurate information, all dimensions are nominal, cannot be guaranteed, and are subject to change or cancellation. Blanco America assumes no responsibility for use of superseded or voided specifications.

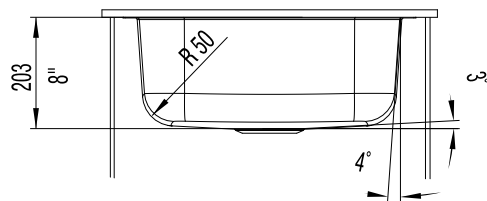
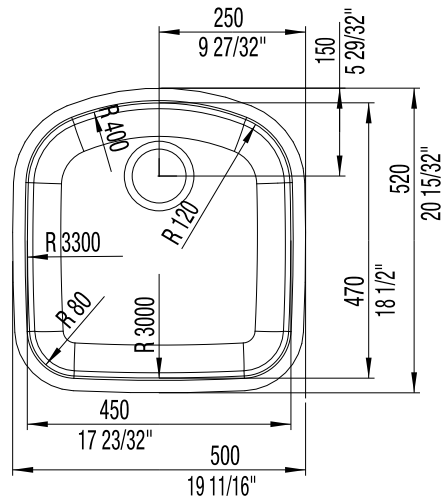


MODEL 440164

NOMINAL DIMENSIONS

MODEL	OVERALL	CUTOUT SIZE	BOWL DEPTH	DRAIN DIAMETER
440164	19-11/16" x 20-1/2"	Template provided with approximate 1/8" reveal	8"	3-1/2"

DXF cutout templates available on our website.



JOB INFORMATION

Job Name: _____

Contact: _____

Date Specified: _____

Specifier: _____

Contractor: _____

BLANCO AMERICA

800.451.5782

www.blancoamerica.com

© 2013 BLANCO AMERICA

6/13

SPEC-003