

FEATURED MODEL

440064 Super Single, 10" & 7-3/4" bowl depths, ANTHRACITE

ADDITIONAL MODELS

441291 Super Single, 10" & 7-3/4" bowl depths, TRUFFLE

441227 Super Single, 10" & 7-3/4" bowl depths, BISCOTTI

440066 Super Single, 10" & 7-3/4" bowl depths, WHITE

440065 Super Single, 10" & 7-3/4" bowl depths, BISCUIT

440067 Super Single, 10" & 7-3/4" bowl depths, METALLIC GRAY

440063 Super Single, 10" & 7-3/4" bowl depths, CAFE BROWN

441476 Super Single, 10" & 7-3/4" bowl depths, CINDER

FEATURES

- Raised ledge for placement of colander to rinse fruits, vegetables and utensils
- Functional drain grooves remove excess water into main sink
- Required outside cabinet: 36"
- 80% solid granite
- Heat resistant up to 536°F
- Unsurpassed cleanability backed by industry leading 7 patents!
- Resistant to scratches, stains and all household acids and alkali solutions
- Template provided with approximate 1/8" reveal
- Under mount clips included
- Limited lifetime warranty

INCLUDED ACCESSORY

Stainless Steel Mesh Colander (sits on ledge): 222401

OPTIONAL ACCESSORIES

Stainless Steel Sink Grid Large: 222472

Walnut Cutting Board: 222591

CODE/STANDARDS COMPLIANCE

ANSI Z124.6-97

IAPMO/UPC listed

WARRANTY

BLANCO'S SILGRANIT II Series sinks feature a LIMITED LIFETIME WARRANTY to be free of all manufacturing defects under normal use. See our complete warranty for details.

While BLANCO endeavors to provide accurate information, all dimensions are nominal, cannot be guaranteed, and are subject to change or cancellation. BLANCO assumes no responsibility for use of superseded or voided specifications.

JOB INFORMATION

Job Name: _____

Contact: _____

Date Specified: _____

Specifier: _____

Contractor: _____

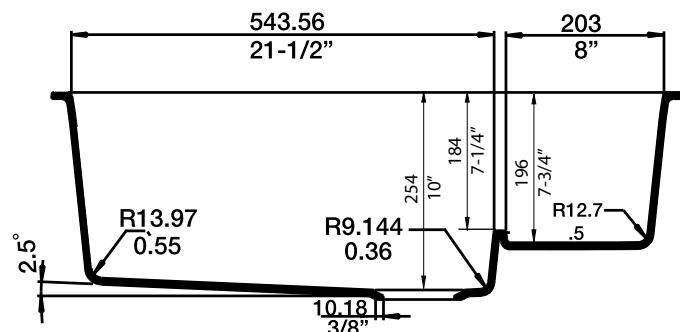
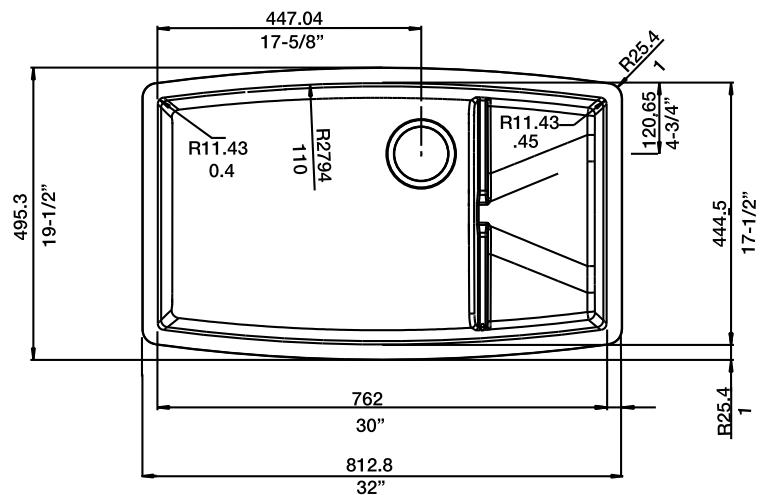


NOMINAL DIMENSIONS

Model 440063 shown

OVERALL	CUT OUT SIZE	BOWL DEPTHS		DRAIN
		LEFT	RIGHT	
32" x 19-1/2"	Template provided with approximate 1/8" reveal	10"	7-3/4"	3-1/2"

DXF cutout templates available on our website.



BLANCO AMERICA

800.451.5782

www.blancoamerica.com

© 2013 BLANCO AMERICA

6/13

SPEC-003