

N460 01

N460 01

ROMAN TUB FAUCET

Product Features

- 8-15" Adjustable centers
- 4.0 GPM @ 20 PSI minimum flow rate
- Brass valve body
- Ceramic Cartridges
- Braided Stainless Steel Connector hoses
- Metal Lever Handle

Standards/Approvals

- N460 01 meets or exceeds:
 - ANSI/ASME A112.18.1
 - IAPMO/UPC
 - Massachusetts
- N460 01 meets ADA requirements



UPC®

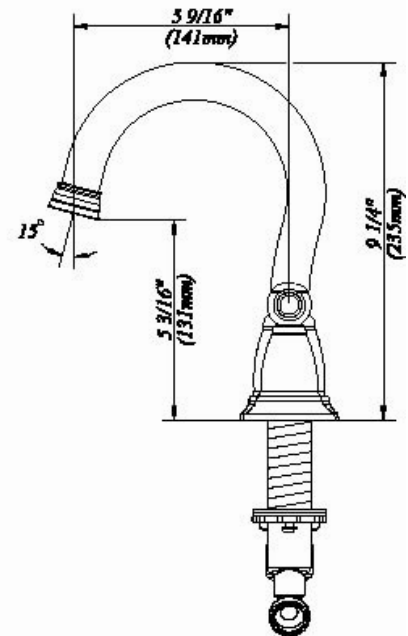
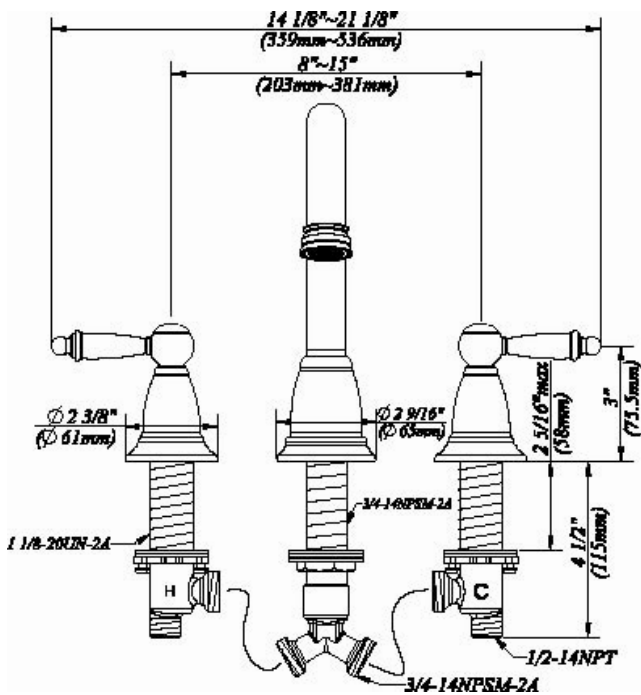
PRODUCT SPECIFICATION:

Roman Tub faucet shall have a brass body, ceramic cartridge, 5-9/16" spout and metal lever handle. Product shall be able to be installed 8" to 15" centers applications. Product shall be Belle Forêt model N460 01.



Belle Forêt
collection

N460 01 ROMAN TUB FAUCET



Other Specifications

Faucet Hole diameter	1-1/2"
Max Deck Thickness	2-5/16"
Spout reach	5 9/16"
Aerator clearance	5 3/16"

Available Finishes

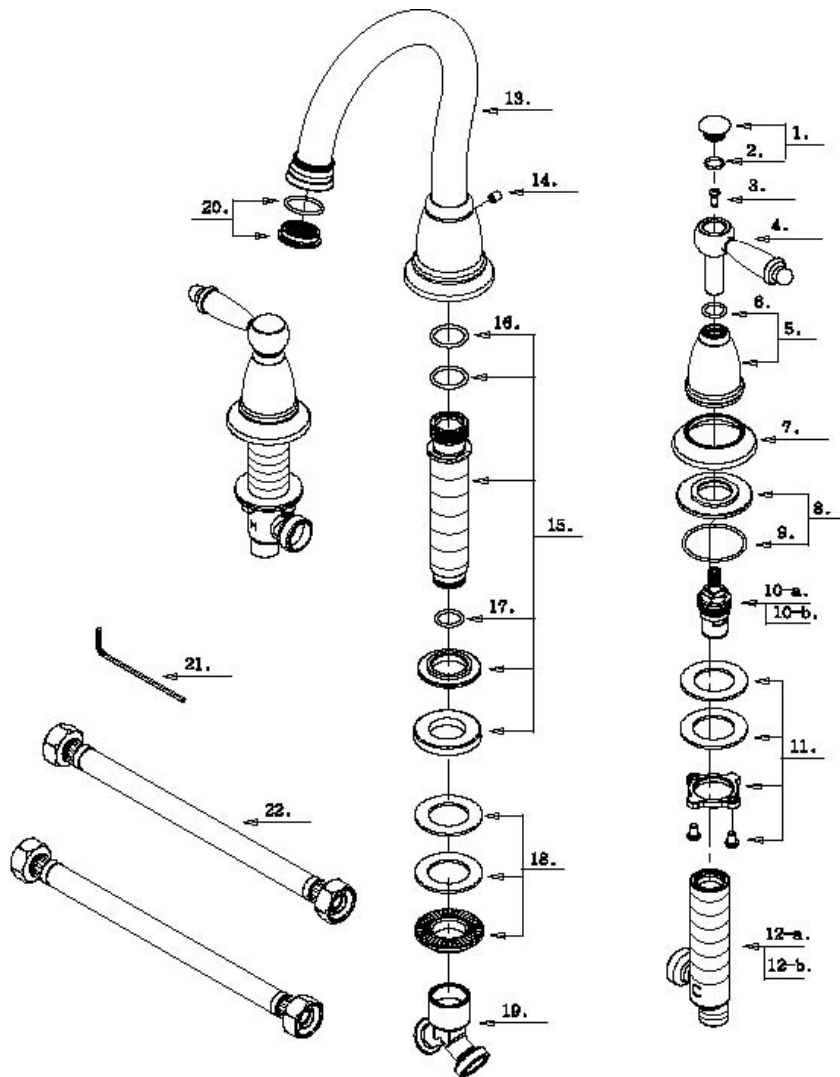
- Chrome
- Tumbled Bronze
- Satin Nickel
- Oil Rubbed Bronze



Belle Forêt
collection

N460 01 ROMAN TUB FAUCET

PARTS BREAKDOWN





N460 01

ROMAN TUB FAUCET

PARTS LISTING

NO	Part Name	Part Number	Q'ty
1	Handle Cap	A663718xx	2
2	O-Ring (Φ7/16" ID * Φ9/16" OD)	A048084	2
3	Screw (3/16" -24 * 7/16" L)	A008283	2
4	Metal Handle	A66E115xx	2
5	Handle Base	A66D430xx	2
6	O-Ring(Φ9/16" ID * Φ11/16" OD)	A004021N	3
7	Handle Trim Ring	A071338xx	2
8	Lock Nut	A66D423	1
9	O-Ring (Φ1-5/8" ID * Φ1-13/16" OD)	A072032N	1
10-a	Ceramic Disc Cartridge-Cold	A507376N	1
10-b	Ceramic Disc Cartridge-Hot	A507375N	1
11	Mounting Hardware	A66D424	1
12-a	Handle Valve Body -Cold	A002544C	1
12-b	Handle Valve Body -Hot	A002544Hxx	1
13	Spout Assembly	A666193N	1
14	Screw (1/4" -28UNF * 5/16" L)	A008002	1
15	Spout Body	A663493	1
16	O-Ring (Φ7/8" ID *Φ1-1/16" OD)	A063031	1
17	O-Ring(Φ5/8" ID * Φ13/16" OD)	A004010N	1
18	Mounting Hardware	A663491	1
19	"Y" Adaptor	A015007	1
20	Flow Straightener	A603582	1
21	Hex Wrench(H3.18 * 22 mm L * 92 mm L)	A031202	1
22	Supply Hose	A105111	1

xx designates finish matched parts.