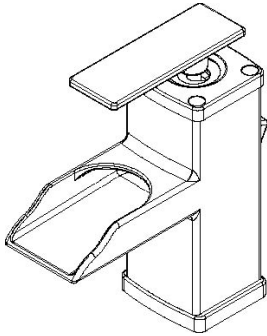


s c h ö n
brass works

L425

SINGLE HANDLE LAVATORY FAUCET



L425

Product Features

- 1 Hole Installation
- 2.2 GPM @ 60PSI Max Flow Rate
- Brass body
- ½" 14 NPS Inlet
- Ceramic cartridge
- Metal lever handle

Standards/Approvals

- L425 meets or exceeds:
- ANSI/ASME A112.18.1
- ANSI/NSF 61 – Sec 9
- IAPMO/UPC
- California Proposition 65
- Massachusetts
- L425 meets ADA requirements



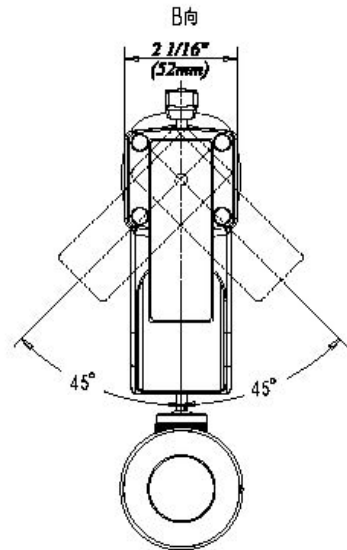
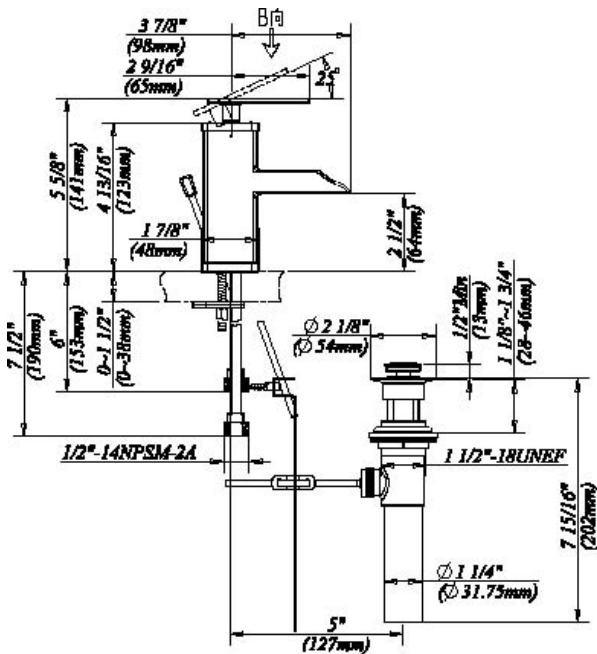
UPC®



PRODUCT SPECIFICATION:

Single handle lavatory faucet shall have a brass body, ceramic cartridge, open spout and metal lever handle. Product shall be able to be installed in either single hole or 4" centerset applications. Product shall be schön brass works model L425.

4" Centerset Installation



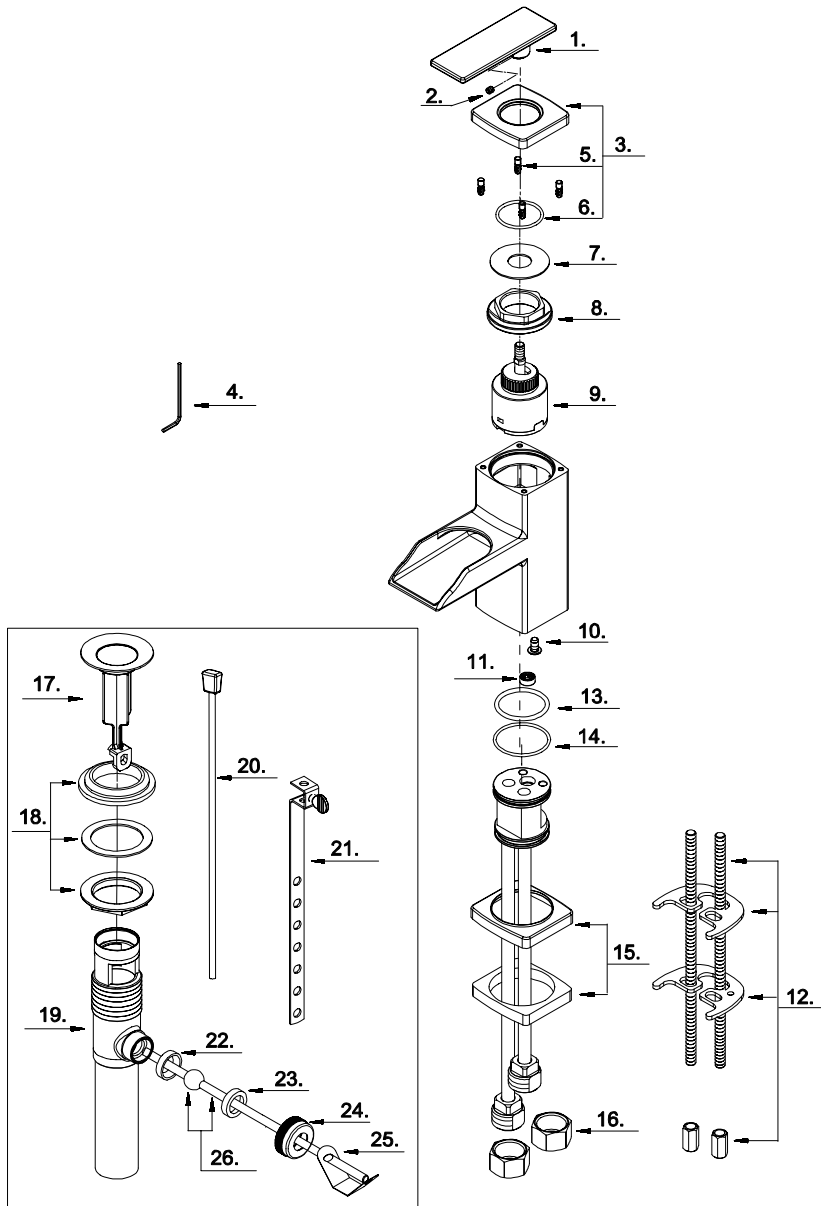
Other Specifications

Faucet Hole diameter	1-1/2"
Max Deck Thickness	1-1/2"
Spout reach	3 - 7/8"
Body base diameter	1-7/8"

Available Finishes

- Chrome
- Satin Nickel
- Oil Rubbed Bronze

PARTS BREAKDOWN



PARTS LISTING

NO	Part Name	Part Number	Q'ty
1	Metal Handle	A029646xx	1
2	Screw (M4 * 4 mm L)	A065121	1
3	Handle Trim Ring Assembly	A667822xx	1
4	Hex Wrench(H2 * 17 mm L * 49 mm L)	A031003	1
5	Screw	A003155	4
6	O-Ring (Φ1-1/8" ID * Φ1-1/4" OD)	A048029	1
7	Washer	A013160xx	1
8	Locking Nut	A104264	1
9	Ceramic Disc Cartridge	A507348N	1
10	Screw(3/16" -24 * 5/16 " L)	A008616	1
11	Flow Restrictor	A113571N	1
12	Mounting Hardware	A663107	1
13	O-Ring(Φ1-5/16" ID * Φ1-7/16" OD)	A004103N	1
14	O-Ring(Φ1-3/16" ID * Φ1-3/8"OD)	A048016N	1
15	Base Trim Ring	A667216xx	1
16	Coupling Nut	A009016	1
17	Pop-up Plunger Assembly	A663121xx	1
18	Washer and Nut	A663122	1
19	Pop-Up Body	A605222	1
20	Lift Rod	A025475xx	1
21	Lift Rod Strap	A663521	1
22	Washer (inner)	A200109	1
23	Washer (outer)	A200009	1
24	Ball Nut	A009063	1
25	Spring Clip	A120030	1
26	Ball Rod (6-5/16"L)	A026004	1

XX designates finish matched parts