



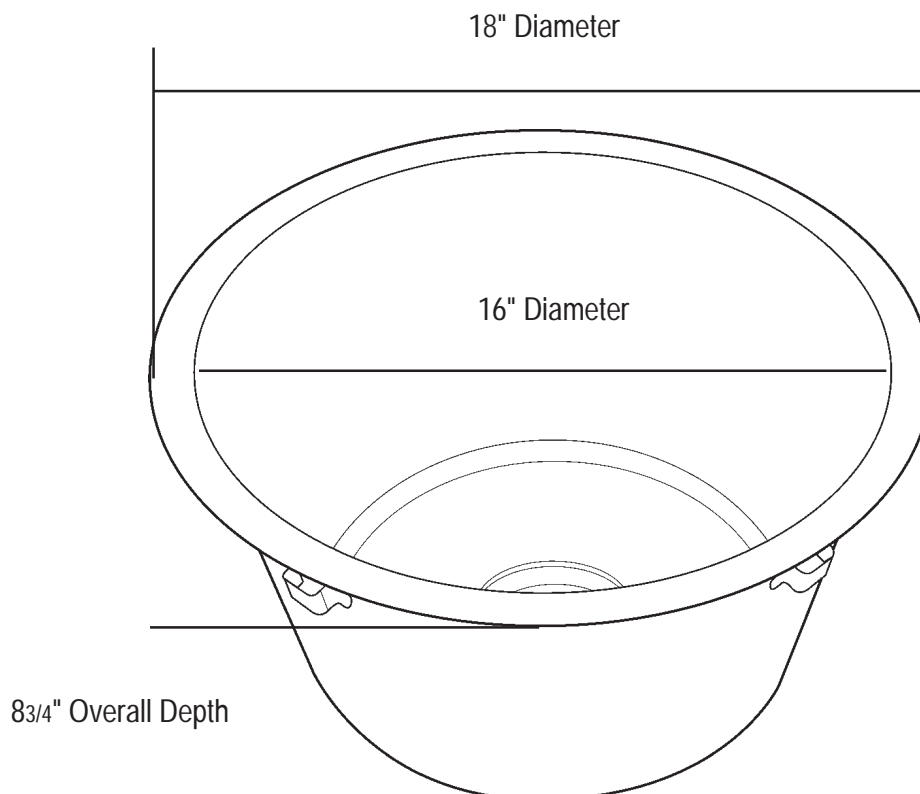
Specifications for **BFC3KIT** **Copper Bar Basin**

Requires kitchen basket strainer
16 Gauge Copper

Inside Dimensions

Diameter At Rim :	16"
Diameter At Bottom:	10"
Basin Depth:	8 1/2"

Belle Forêt copper basins are handmade and, therefore, overall dimensions may vary slightly from those listed on this specification sheet. It is strongly recommended that the actual basin to be installed be used as a cut-out template.



Revised 8/22/03