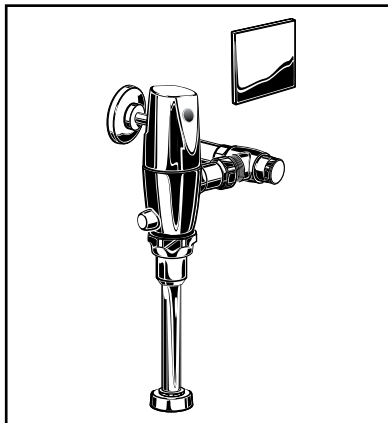




# SELECTRONIC™ FloWise® EXPOSED 0.25 GPF URINAL FLUSH VALVE HARD-WIRED AC POWERED, SENSOR OPERATED



## GENERAL DESCRIPTION:

Exposed, Hardwired AC Powered, Sensor Operated Selectronic™ Urinal Flush Valve for 3/4" top spud urinals.

Inlet includes 3/4" I.P.S. angle stop with back-flow protection, vandal-resistant cap, sweat solder kit, cover tube and wall flange.

Outlet includes 3/4" vacuum breaker, spud coupling and flange.

## PRODUCT FEATURES:

- Exclusive Pressure Compensation feature eliminates the need for the installer to adjust the stop valves, saving time and money and ensuring water savings
- Electronic flush valve with Selectronic™ proximity system for "Hands Free" operation
- Includes UL approved hardwired AC transformer
- Input Voltage: 100 - 250 VAC, 50 / 60 Hz. Output Voltage: 6 VDC.
- Self-Cleaning Piston operation with integral wiper spring prevents clogging and reduces maintenance
- Piston operation delivers superior flush accuracy and repeatability
- Adjustable tailpiece
- Chemical resistant EPDM seals are unaffected by chloramines and ammonia
- Valve remains closed and does not need to be reset after loss of power or water pressure
- Stadium Feature: Valve automatically switches to water conservation mode during periods of heavy usage
- Fully Mechanical Manual Override Button can flush toilet during a power outage
- Vandal-resistant metal cover plate (for 2-gang electric box supplied by others) with no visible fasteners
- Sensor & electronic controls are fully enclosed and water resistant
- Range can be adjusted manually or by remote control
- Sanitary Flush - Valve automatically flushes after 24 hours of non-use to clean fixture & maintain trap seal
- No external volume adjustment
- 5 second Arming Delay prevents unintentional flushing
- 3-second Flush Delay
- Can be installed left or right-handed

## MODEL NUMBER:

☐ **6062.025.002 HARD-WIRED AC POWERED:**  
Includes UL-approved Hard-Wired AC transformer (electrical box by others). 11-1/2" rough-in

☐ **6061.025.002 MULTI-AC POWERED:**  
Includes 10' extension cable and Y connector. One transformer (sold separately) can operate up to 15 faucets and/or flush valves. 11-1/2" rough-in

## OPERATING PRESSURE:

Overall Range: 20-125 psi\*\*

Recommended: 20 psi (flowing)-80 psi (static)

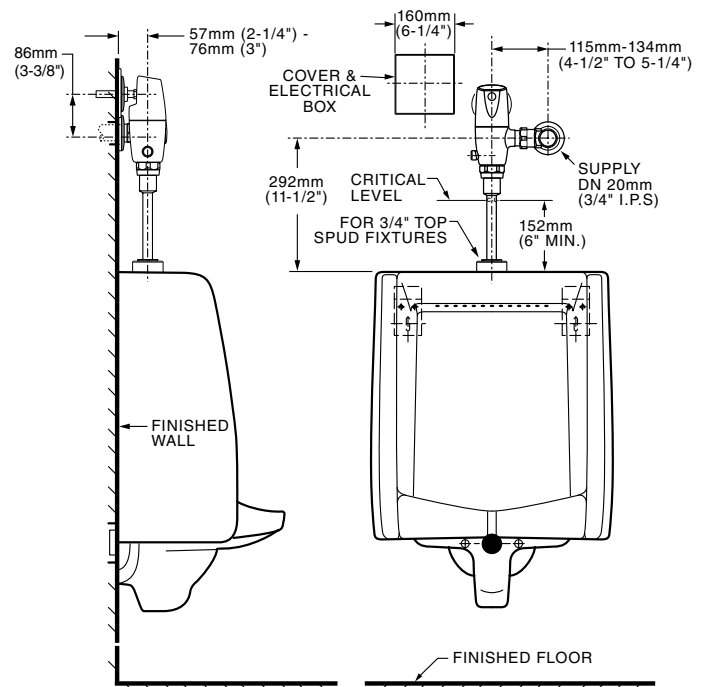
## FLOW REQUIREMENT:

10gpm (37.9 L/min.)

\*\* Water pressure over 80 psi is not recommended for most plumbing fixtures.

## ACCESSORIES:

- Cast wall flange (3/4")



 MEETS THE AMERICANS WITH DISABILITIES ACT GUIDELINES AND ANSI A117.1 REQUIREMENTS FOR ACCESSIBLE AND USABLE BUILDING FACILITIES-CHECK LOCAL CODES

## RECOMMENDED SPECIFICATION:

Electronic proximity infrared sensor activated toilet flush valve shall feature self-cleaning piston valve. Includes a UL listed hardwired power supply that provides 6 VDC power to run system. Includes a fully mechanical manual over-ride that can provide a complete flush without power. Includes cast brass valve body and metal cover with chrome finish and vandal resistant stop cap. Angle stop with back-flow protection and vacuum breaker included. 0.25 gpf / 1.0 Lpf. Flush valve shall be American Standard Model # 606\_.025.002

**SELECTRONIC™ FloWise® EXPOSED  
0.25 GPF URINAL FLUSH VALVE  
HARD-WIRED AC POWERED, SENSOR OPERATED**

**LISTINGS:**

- ASSE 1037
- ANSI/ASME A112.19.2
- ADA Compliant

**Roughing-in Dimensions**

