

METERING PILLAR TAP FAUCET

Thank you for selecting American-Standard...the benchmark of fine quality for over 100 years.

To ensure that your installation proceeds smoothly—please read these instructions carefully before you begin.

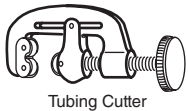
1340.105
1340M.105
1340.109
1340M.109
1340.107
1340M.107
1340.119
1340M.119



Certified to comply with ANSI A112.18.1M

M968497 REV.1.3

TOOLS REQUIRED



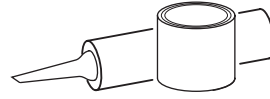
Tubing Cutter



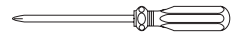
Channel Locks



Adjustable Wrench



Plumbers' Putty or Caulking



Phillips Screwdriver

1 FAUCET INSTALLATION (With optional 4" Deck Plate)

CAUTION Turn off hot and cold water supplies before beginning.

Note: Faucet can be installed as single hole installation or with (OPTIONAL) 4" or 8" DECK PLATES. 4" No. 605P400 & 8" No. 605P800 Deck Plates must be ordered separately.

- Install SEAL (1) into base of FAUCET (2). Assemble Optional DECK PLATE (3), and PUTTY PLATE (4) to FAUCET BODY (2) with SCREW (5). Apply a bead of putty to underside of PUTTY PLATE (3). Fig. 1a.
- Insert FLEX HOSE (6) and SPOUT SHANK (7) through center hole of mounting surface. Fig. 1a.
- Assemble "C" WASHER (8) and LOCKNUT (9) onto threads of SPOUT SHANK (7) from underside of mounting surface. Fig. 1b.
- Align FAUCET (2) and tighten LOCKNUT (9). If installing DECK PLATE (3) hand tighten DECK PLATE SPIN NUTS (10) to secure FAUCET (2) to mounting surface. Fig. 1b.

Fig. 1a

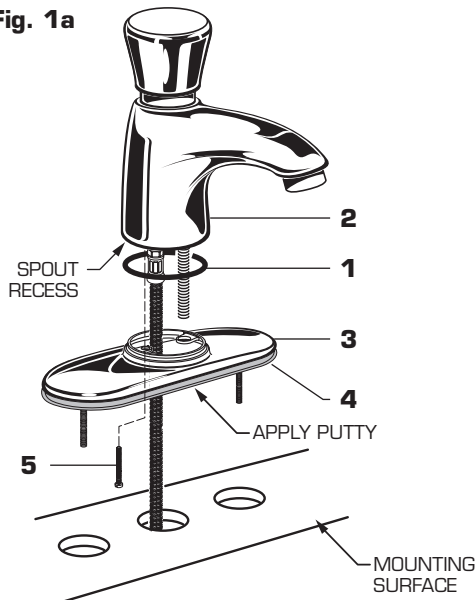
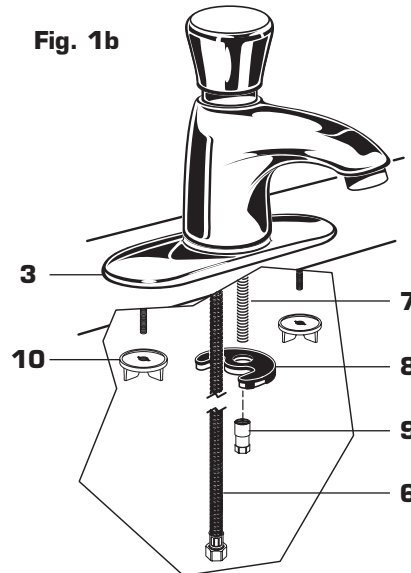
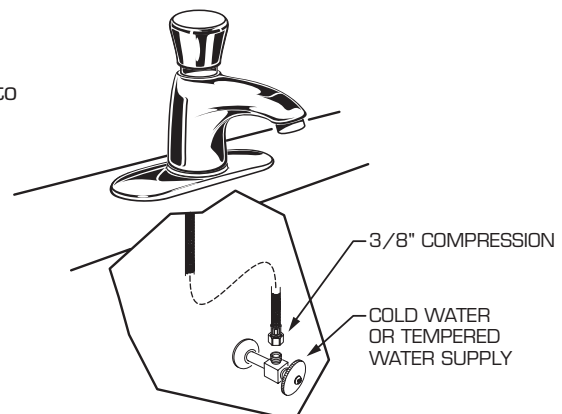


Fig. 1b



2 CONNECT WATER SUPPLY

- Connect 3/8" compression coupling nut on fitting supply hose to cold water supply or tempered water supply.
- Note: Hose connection will not mate with Mechanical Mixing Valve number O21943-0070A.



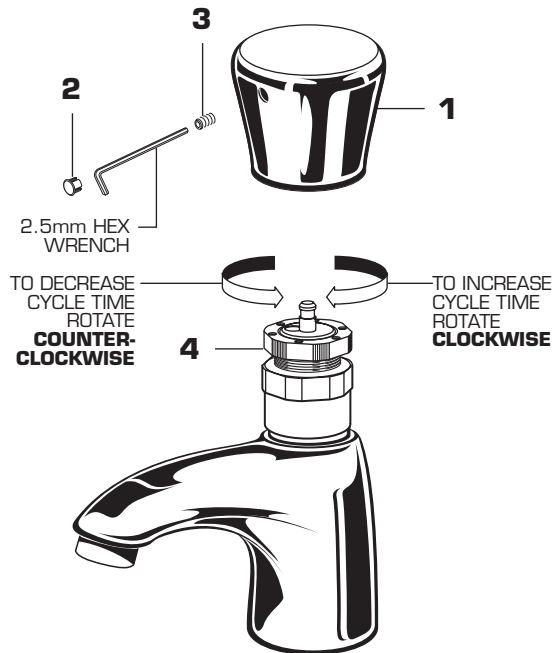
3 TEST INSTALLED FITTING

- Turn on water supplies and check connections for leaks.
- Remove AERATOR (1) with KEY (2) supplied.
- Operate FAUCET by pressing down on HANDLE (3). Handle is set for approximately 8 second operating cycle.
- Replace AERATOR (1).



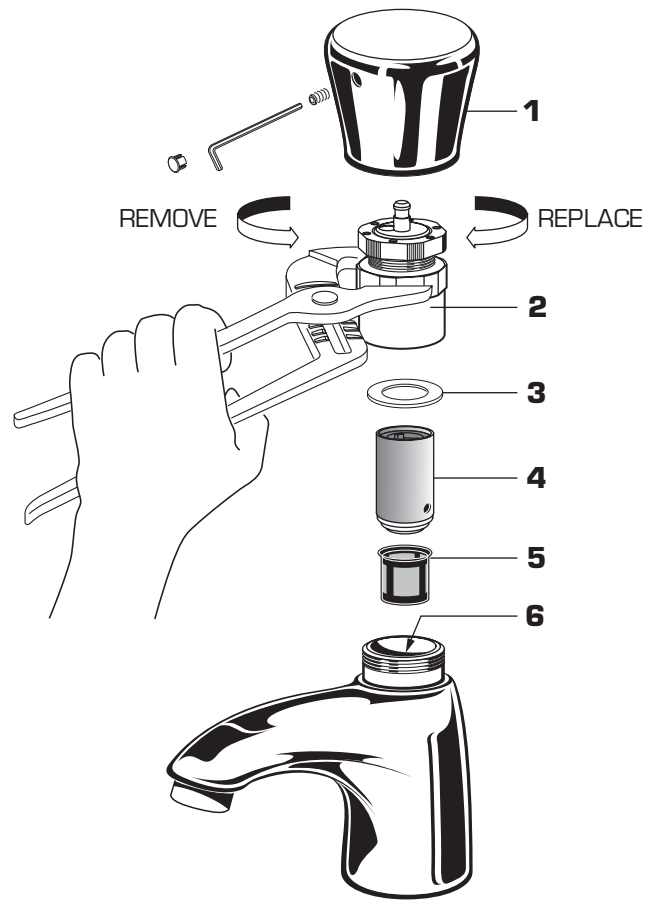
4 TO ADJUST CYCLE TIME

- Remove HANDLE (1) by removing INDEX BUTTON (2) and SET SCREW (3) with a 2.5mm hex wrench.
- Pull off HANDLE (1).
- To increase cycle time, turn the gray PLASTIC ADJUSTING NUT (4) **clockwise**.
- To decrease cycle time, turn the gray PLASTIC ADJUSTING NUT (4) **counter-clockwise**.
- Replace SET SCREW (3), INDEX BUTTON (2) and HANDLE (1). Test faucet for proper operation and cycle time.



5 SERVICE

- Remove HANDLE (1). Refer to Step 4 for handle removal.
- Remove ACTUATOR ASSEMBLY (2).
- Remove WASHER (3). Pull out VALVE ASSEMBLY (4) and FILTER SCREEN (5).
- Inspect that VALVE ASSEMBLY (4), FILTER SCREEN (5) and VALVE SEAT (6) are clean and free from debris. VALVE ASSEMBLY (3) and FILTER SCREEN (5) can be cleaned with soap and water.
- Replace FILTER SCREEN (5) and VALVE ASSEMBLY (4). Place WASHER (3) on top of VALVE ASSEMBLY (4). Thread VALVE ACTUATOR (2) onto faucet. Torque VALVE ACTUATOR (2) to 12-15 ft. lbs (15-20 Nm).
- Replace HANDLE (1).



CARE INSTRUCTIONS:

DO: SIMPLY RINSE THE PRODUCT CLEAN WITH CLEAR WATER. DRY WITH A SOFT COTTON FLANNEL CLOTH.

DO NOT: CLEAN THE PRODUCT WITH SOAPS, ACID, POLISH, ABRASIVES, HARSH CLEANERS, OR A CLOTH WITH A COARSE SURFACE.