

INSTALLATION INSTRUCTIONS

American Standard

Style That Works Better

Porcelain Enameled Steel Bathtubs

0255.112 New Salem® Bathtub, RHO

0255.212 New Salem® Bathtub, LHO

0263.112 New Solar® AFR Bathtub, RHO

0263.212 New Solar® AFR Bathtub, LHO

0138.014 Mackenzie™ 4-1/2' Bathtub, RHO

0139.011 Mackenzie™ 4-1/2' Bathtub, LHO

0131.012 Huron® 4' Bathtub, RHO

0133.017 Huron® 4' Bathtub, LHO

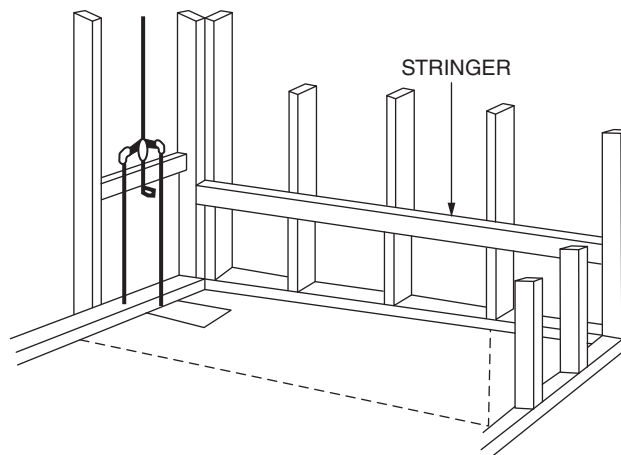
⚠ CAUTION: THIS NEW FIXTURE HAS A DURABLE FINISH; HOWEVER, EXTRA CARE SHOULD BE EXERCISED DURING INSTALLATION WHEN ROUGH HANDLING AND THE DANGER OF DROPPED TOOLS MAY CAUSE DAMAGE.

| | | |
|--|---|--|
| <p>1 Check the tub thoroughly for shipping damage, report any apparent damage to the location that furnished the tub and request their advice on continuing with the installation.</p> | <p>2 Protect this bathtub during installation and construction by using this corrugated container as indicated. Cut along the dotted lines and place the corrugated protector over the top and front of the tub. The center cut-out drops into the center of the tub.</p> | <p>3 After measuring the dimensions of the product, frame the construction area.</p> |
| <p>4 Locate the tub in position and mark a joist so that a 2x4 stringer can be nailed in place. The stringer will be located under the flange against the wall. Nail in place the 2x4 support. Re-position the tub and check for level, both front to back and left to right.</p> | <p>5 It may be necessary to shim the tub to achieve a good level condition. Only small shims should be used in conjunction with the bathtub's own support pad.</p> <p>Note: There will be a small gap between the apron panel and the floor to allow for tile, carpeting, etc. Caulking could be used to seal this gap.</p> | <p>6 Overflow and drain assembly, faucet and the shower head should be installed to the manufacturers specifications. Over-tightening the drain can damage the tub.</p> |

SAVE FOR FUTURE USE

CARE AND CLEANING

Clean with warm water, a soft cloth and mild detergent. Never use abrasive scouring powders, cleansers or pads.



AS AMERICA, INC. ONE YEAR LIMITED WARRANTY

If inspection of this AS America, Inc. ("American Standard") plumbing product, within one year after its initial purchase, confirms that it is defective in materials or workmanship, American Standard will repair or, at its option, exchange the product for a similar model.

This limited warranty applies only to the original purchaser and installation of these products. In the event of a limited warranty claim, proof of purchase will be required—save sales receipt.

This limited warranty does not apply to local building code compliance. Since local building codes vary considerably, the purchaser of this product should check with a local building or plumbing contractor to insure local code compliance before installation.

This limited warranty is void if the product has been moved from its initial place of installation; if it has been subjected to faulty maintenance, abuse, misuse, accident or other damages; if it was not installed in accordance with American Standard's instructions; or if it has been modified in a manner inconsistent with the product as shipped by American Standard.

American Standard's option to repair or exchange the product under this limited warranty does not cover any labor or other costs of removal or installation. **IN NO EVENT WILL AMERICAN STANDARD BE LIABLE FOR THE COST OF REPAIR OR REPLACEMENT OF ANY INSTALLATION MATERIALS, INCLUDING BUT NOT LIMITED TO, TILES, MARBLE, ETC.** American Standard will not be responsible for any other incidental or consequential damages attributable to a product defect or to the repair or exchange of a defective product, all of which are expressly excluded from this limited warranty. This limited warranty does not cover any liability for consequential or incidental damages, all of which are hereby expressly disclaimed, or the extension beyond the duration of this limited warranty of any implied limited warranties, including those of merchantability or fitness for an intended purpose. (Some states or provinces do not allow the exclusion or limitation of implied limited warranties, so this exclusion may not apply to you.)

This limited warranty gives you specific legal rights. You may have other statutory rights that vary from state to state or from province to province, in which case this limited warranty does not affect such statutory rights.

In the United States:

American Standard Brands
P.O. Box 6820
Piscataway, New Jersey 08855
Attention: Director of Consumer Affairs

For residents of the United States, warranty information may also be obtained by calling the following toll free number: (800) 442-1902
www.americanstandard-us.com

In Canada:

AS Canada ULC
5900 Avebury Ave.
Mississauga, Ontario
Canada L5R 3M3
Toll Free: (800) 387-0369
www.americanstandard.ca

In Mexico:

Customer Service Manager
AS Maquila, S.A. de C.V.
Via Morelos #330
Col. Santa Clara
Ecatepec 55540 Edo. Mexico
www.americanstandard.com.mx