

18 GAUGE STAINLESS STEEL KITCHEN SINK 32 7/8"

Undermount Series

- 18 Gauge Stainless Steel
- 18-10 Chrome Nickel content
- Large bowl/small bowl combination sink
- Installation hardware, template and instructions included
- **Waste fittings included**
- **33" cabinet required**



Nominal Dimensions:

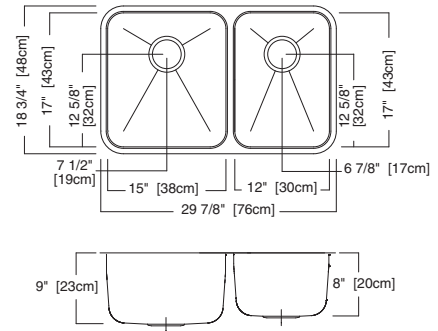
29 7/8" x 18 3/4" x 9"

Large Bowl Size:

15" wide
17" front to back
9" deep

Small Bowl Size:

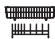



12" wide
17" front to back
8" deep



Compliance Certifications:

IMPORTANT: Dimensions of fixtures are nominal and may vary within the range of tolerances established by ASME A112.19.3
These measurements are subject to change or cancellation. No responsibility is assumed for use of superseded or voided leaflet.

To Be Specified:

- 8241.121500.075  Stainless steel drainer basket
- 8443.101500.075  Stainless steel mesh colander
- 8445.101500.075  Stainless steel bottom grid
- 8445.131500.075  Stainless steel bottom grid