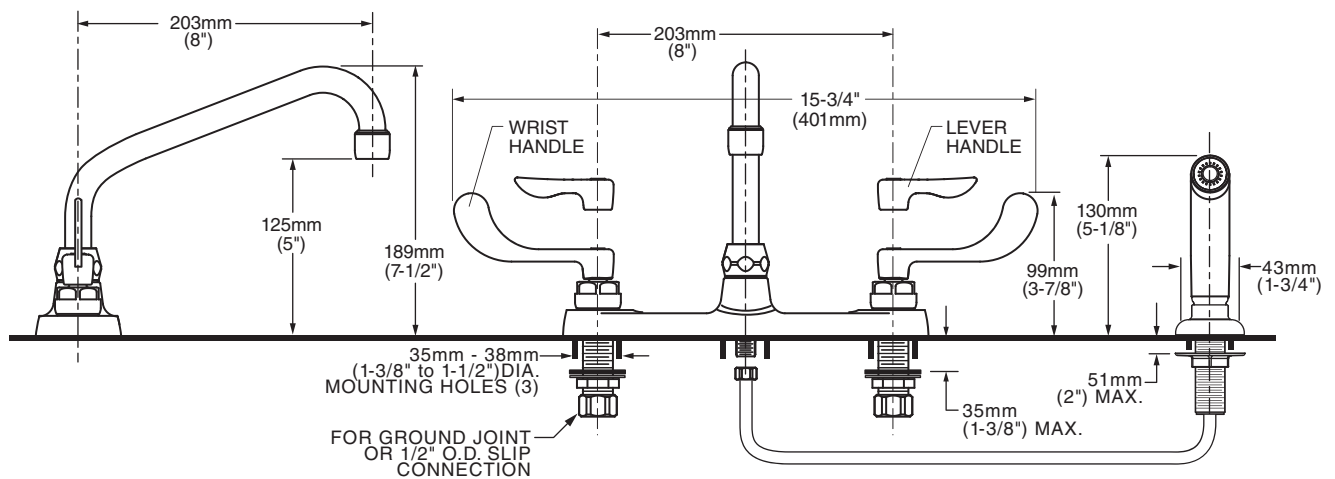


6408.171 Shown



GENERAL DESCRIPTION:

Durable cast brass construction. 1/4 turn ceramic disc valve cartridges. 1/2" male threaded inlet shanks with brass shank nuts and coupling nuts. Tubular brass swivel spout (8" reach, 7-1/2" overall height, 5" height to outlet). Choice of vandal-resistant wrist blade or lever handles with blue & red color indexes. 1.5 gpm/5.7L/min. maximum flow rate.

PRODUCT FEATURES:

Ceramic Disc Valve Cartridges: Assure a lifetime of drip-free performance.

Pressure Compensating Aerator: Provides a constant water flow of 1.5 gpm throughout the pressure range

Tubular Swivel Spout: 8" reach, 7-1/2" overall height, 5" height to outlet.

Solid Brass Construction: Durable. Excellent in high use applications. Ideal for prolonged contact with water.

Handle Choice: Vandal-resistant lever or wrist blade handles with red & blue indexed handles.

Lead Free: Faucet contains ≤ 0.25% total lead content by weighted average.

5 Year Warranty: 5 year limited warranty for commercial installations.

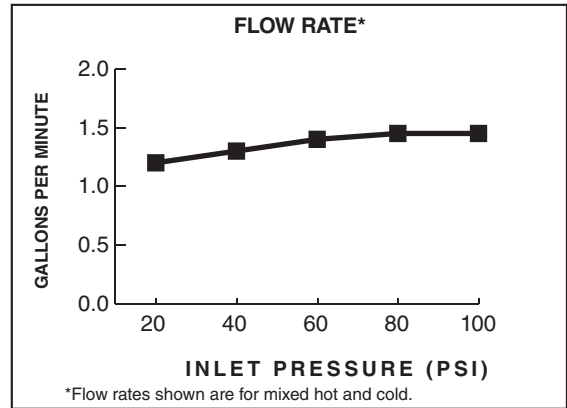
SUGGESTED SPECIFICATION:

Two handle top-mount kitchen faucet shall feature cast brass construction with all brass coupling nuts. Shall feature tubular brass swivel spout with 8" reach. Shall also feature 1/4 turn washerless ceramic disc valve cartridges. Fitting shall be American Standard Model #6408.1__002.

CODES AND STANDARDS

These products meet or exceed the following codes and standards:

- ASME A112.18.1**
- CSA B 125**
- NSF 61/Section 9, Annex G**
- CALGreen**



Product Number	Description	Finish
		Polished Chrome
		002
6408.141	Top mount faucet with tubular brass swivel spout. VR lever handles. 1.5 gpm PCA aerator. With color matched spray.	
6408.140	Top mount faucet with tubular brass swivel spout. VR lever handles. 1.5 gpm PCA aerator. Less spray.	
6408.171	Top mount faucet with tubular brass swivel spout. VR wrist blade handles. 1.5 gpm PCA aerator. With color matched spray.	
6408.170	Top mount faucet with tubular brass swivel spout. VR wrist blade handles. 1.5 gpm PCA aerator. Less spray.	

 MEETS THE AMERICANS WITH DISABILITIES ACT GUIDELINES AND ANSI A117.1 REQUIREMENTS FOR ACCESSIBLE AND USABLE BUILDING FACILITIES-CHECK LOCAL CODES

Other Aerators Available:

Part Suffix	Description
LV15	1.5 gpm (5.7 Lpm) Vandal-Resistant PCA Non-Aerated Laminar Flow Outlet
L15	1.5 gpm (5.7 Lpm) PCA Non-Aerated Laminar Flow Outlet
V15	1.5 gpm (5.7 Lpm) Vandal-Resistant PCA Aerator
LV10	1.0 gpm (3.8 Lpm) Vandal-Resistant PCA Non-Aerated Laminar Flow Outlet
L10	1.0 gpm (3.8 Lpm) PCA Non-Aerated Laminar Flow Outlet
V10	1.0 gpm (3.8 Lpm) Vandal-Resistant PCA Aerator
V05	0.5 gpm (1.9 Lpm) Vandal-Resistant PCA Non-Aerated Spray
V035	0.35 gpm (1.3 Lpm) Vandal-Resistant PCA Non-Aerated Spray

*PCA - Pressure Compensating
 All modifications meet CALGreen Code