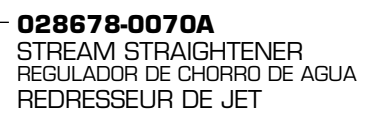
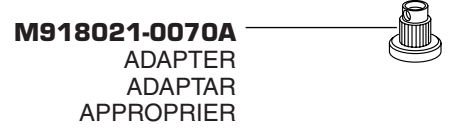
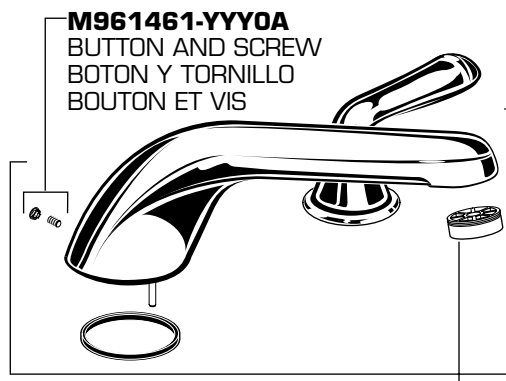
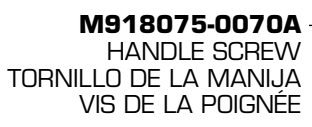
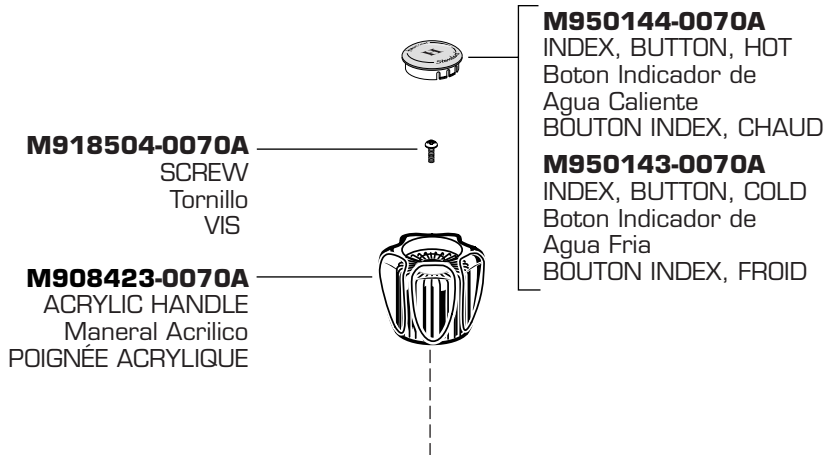


American Standard

COLONY SOFT DECK MOUNT TRIM KIT
JUEGO DECORATIVO PARA CUBIERTA COLONY
TROUSSE DE GARNITURE POUR MONTAGE SUR
PLAGE D'ÉVIER COLONY

MODEL NUMBER
 NÚMERO DE MODELO
 NUMÉRO DE MODÈLE

T975.400BP
T975.400
T975.500BP
T975.500



Replace the "YYY" with appropriate finish code
 Reemplace las letras "YYY" por el código de acabado
 Remplacer le "YYY" par le code de finition approprié

CHROME, CROMO, CHROME	002
POLISHED BRASS, BRONCE PULIDO, LAITON POLI	099

American Standard

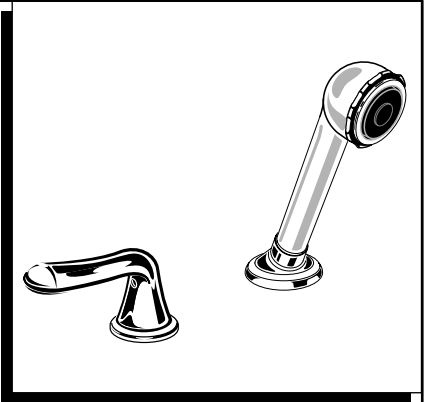
DECK MOUNT TUB FILLERS

COLONY DIVERTER & PERSONAL SHOWER TRIM KIT

Thank you for selecting American-Standard...the benchmark of fine quality for over 100 years.

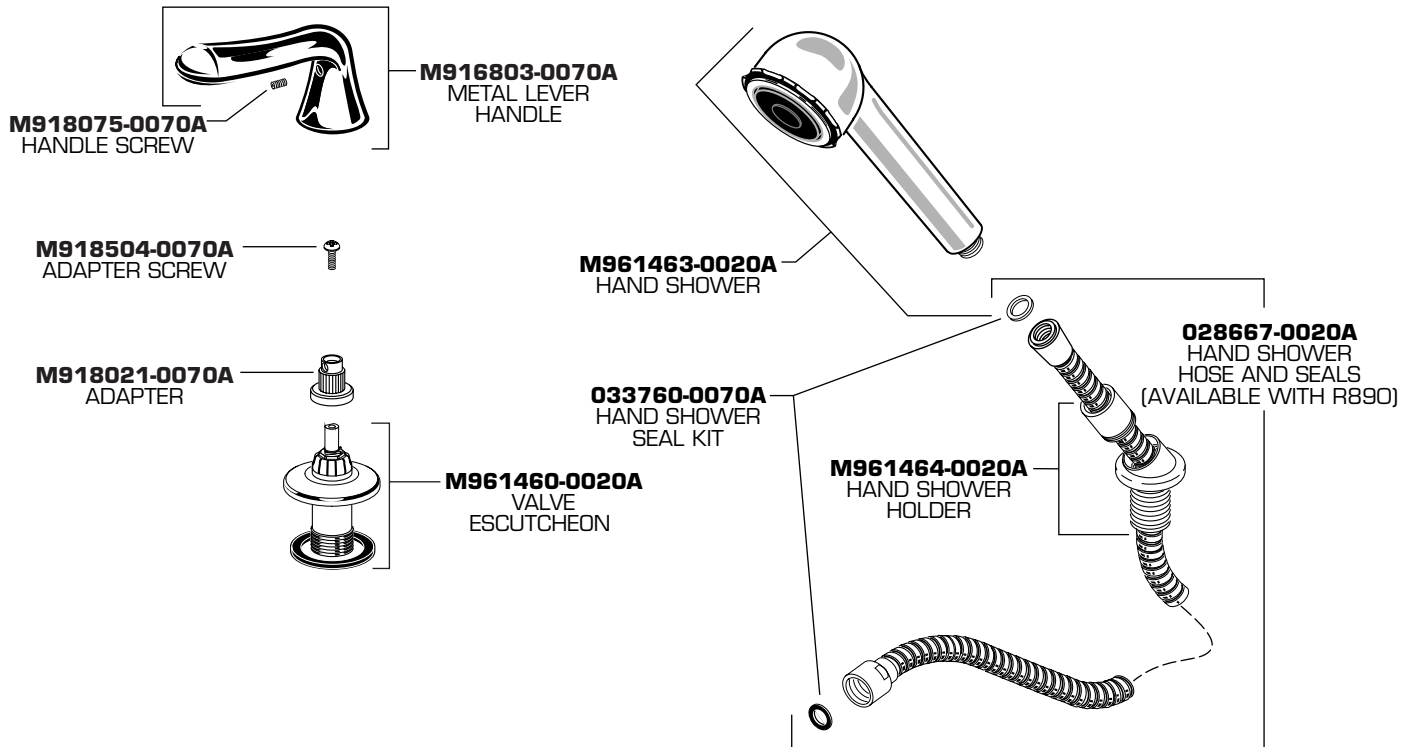
To ensure that your installation proceeds smoothly—please read these instructions carefully before you begin.

Installation Instructions T990.5XX



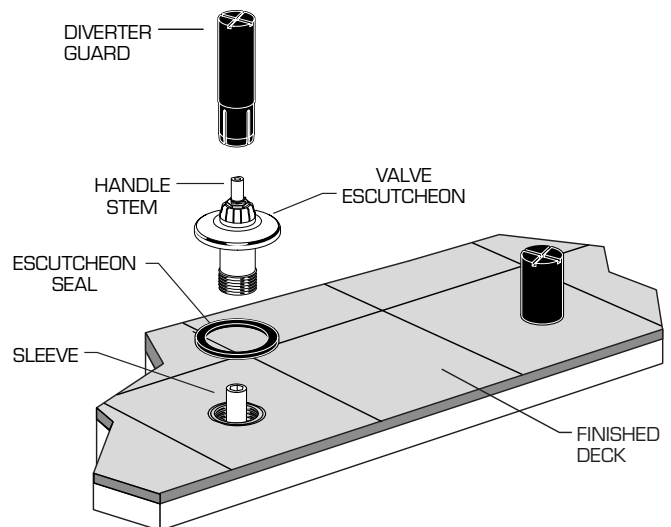
Certified to comply with ANSI A112.18.1
U.S. Patent No. D403,750

M968762

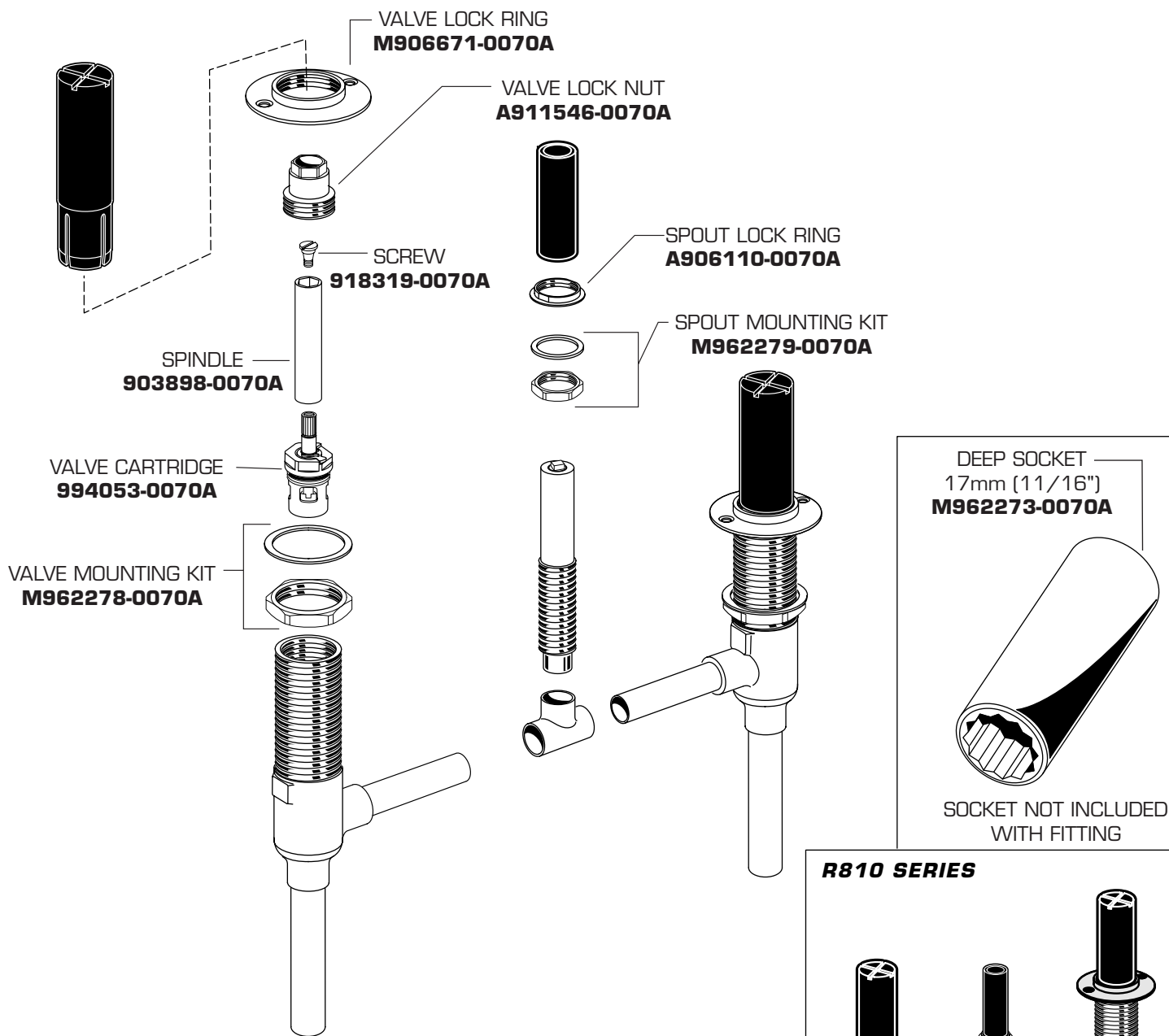


1 INSTALL DIVERTER VALVE TRIM

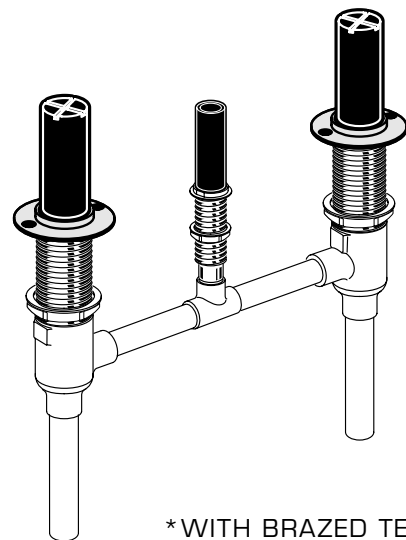
- REMOVE THE DIVERTER GUARD.
- Place the ESCUTCHEON SEAL over the DIVERTER BODY.
- Thread the VALVE ESCUTCHEON into the DIVERTER BODY. Align the HANDLE STEM with the SLEEVE as necessary. Thread the VALVE ESCUTCHEON into the BODY until the ESCUTCHEON contacts the finished deck.



R800
R810



R810 SERIES



*WITH BRAZED TEE



HOTLINE FOR HELP

For toll-free information and answers to your questions, call:

1 (800) 442-1902

Weekdays 8:00 a.m. to 7:00 p.m. Eastern Time

IN CANADA 1-800-387-0369 (TORONTO 1-905-306-1093)

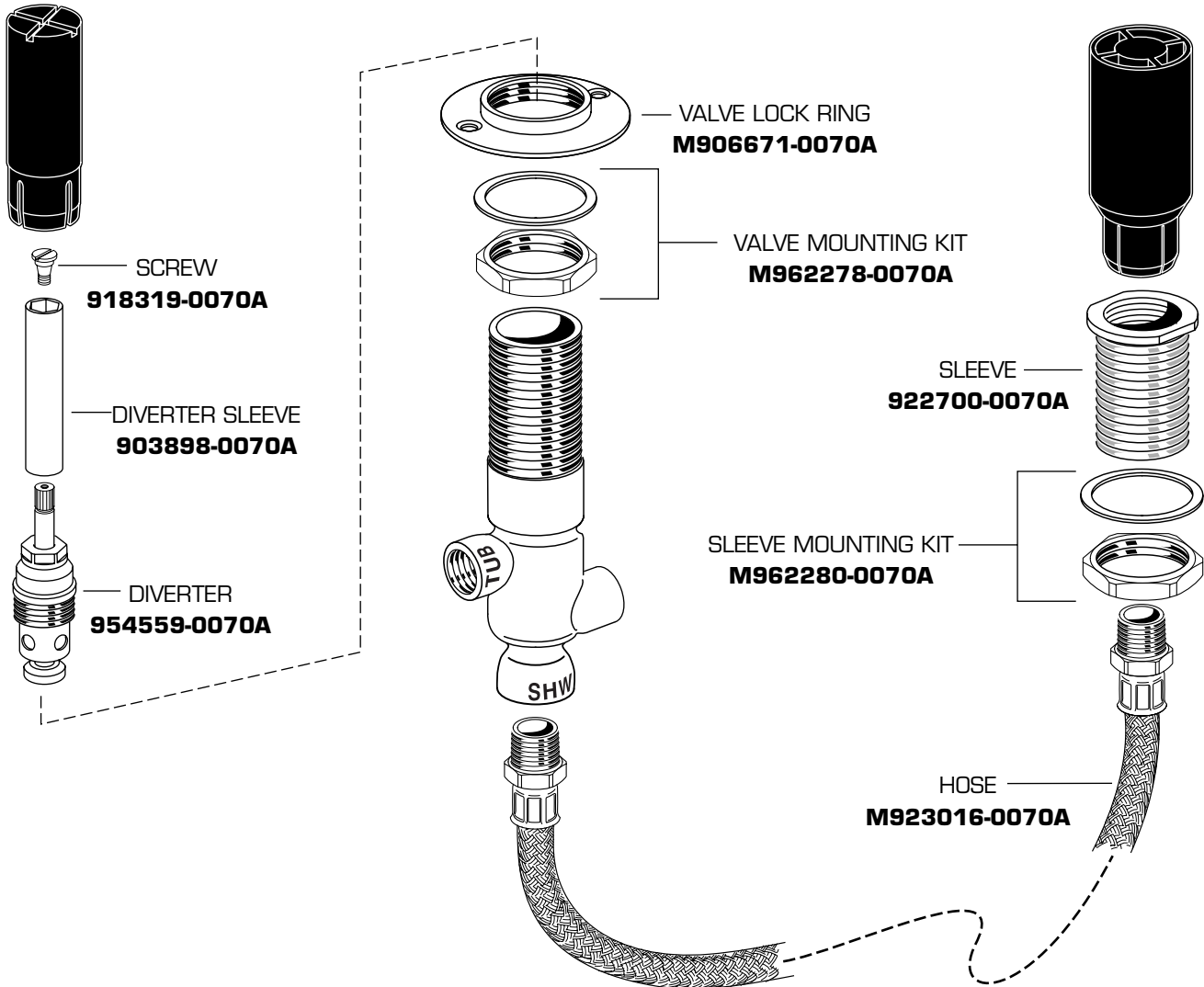
Product names listed herein are trademarks of American Standard Inc.
©American Standard Inc. 2003

American Standard

**DIVERTER & PERSONAL SHOWER
ROUGH VALVE KIT**

MODEL NUMBER

R890



HOT LINE FOR HELP
For toll-free information and answers to your questions, call:
1-800-442-1902
Weekdays 8:00 a.m. to 8:00 p.m. EST
IN CANADA 1-800-387-0369 (TORONTO 1-905-306-1093)
Weekdays 8:00 a.m. to 7:00 p.m. EST
IN MEXICO 01-800-839-12-00

Product names listed herein are trademarks of American Standard Inc.
© American Standard Inc. 2004