

CLINIC SERVICE SINKS

MODEL NUMBERS

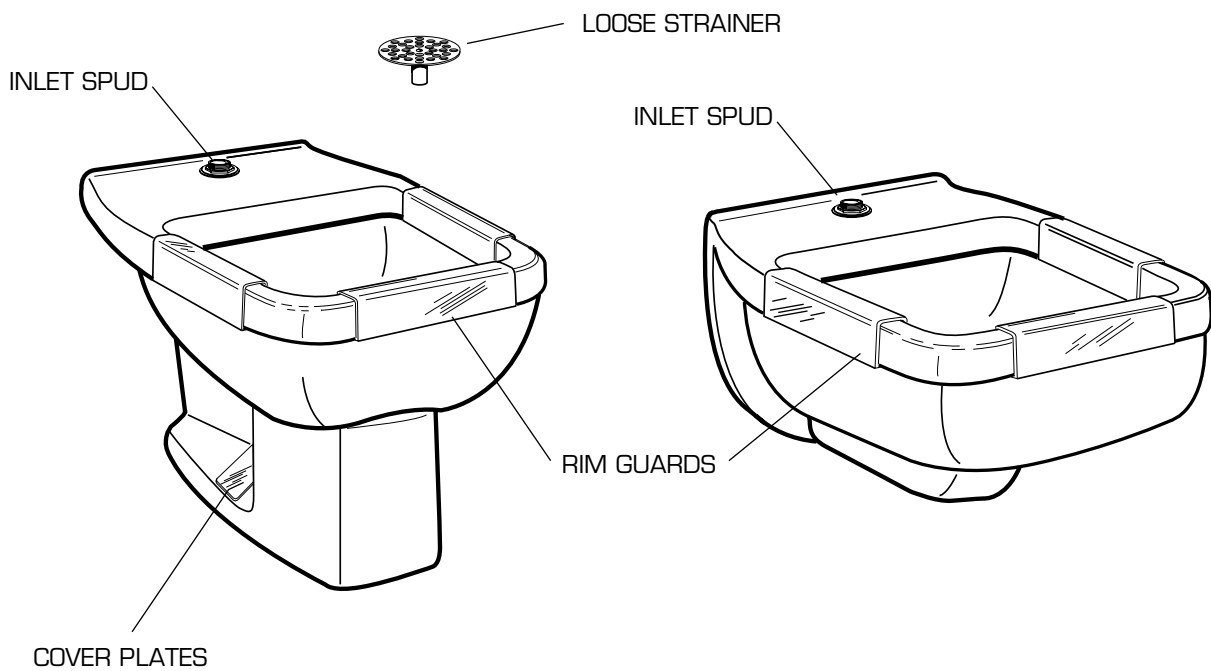
FLOOR MOUNT
9504.010

WALL HUNG
9512.013

American Standard

FLOOR MOUNT

WALL HUNG



| DESCRIPTION | ▷ COMPONENT | PKG QTY |
|------------------------|--------------|---------|
| 11" Rim Guards | 7832.017 | 1 |
| DESCRIPTION | PART NUMBER | PKG QTY |
| Inlet Spud 1-1/2x1-1/2 | 047007-0070A | 1 |
| Loose Strainer | 037640-0020A | 1 |
| Cover Plates | 047202-0070A | 2 |

▷ FOR COMPONENT PART ORDERING SEE CURRENT PRODUCT SELECTOR AND PRICING GUIDE.