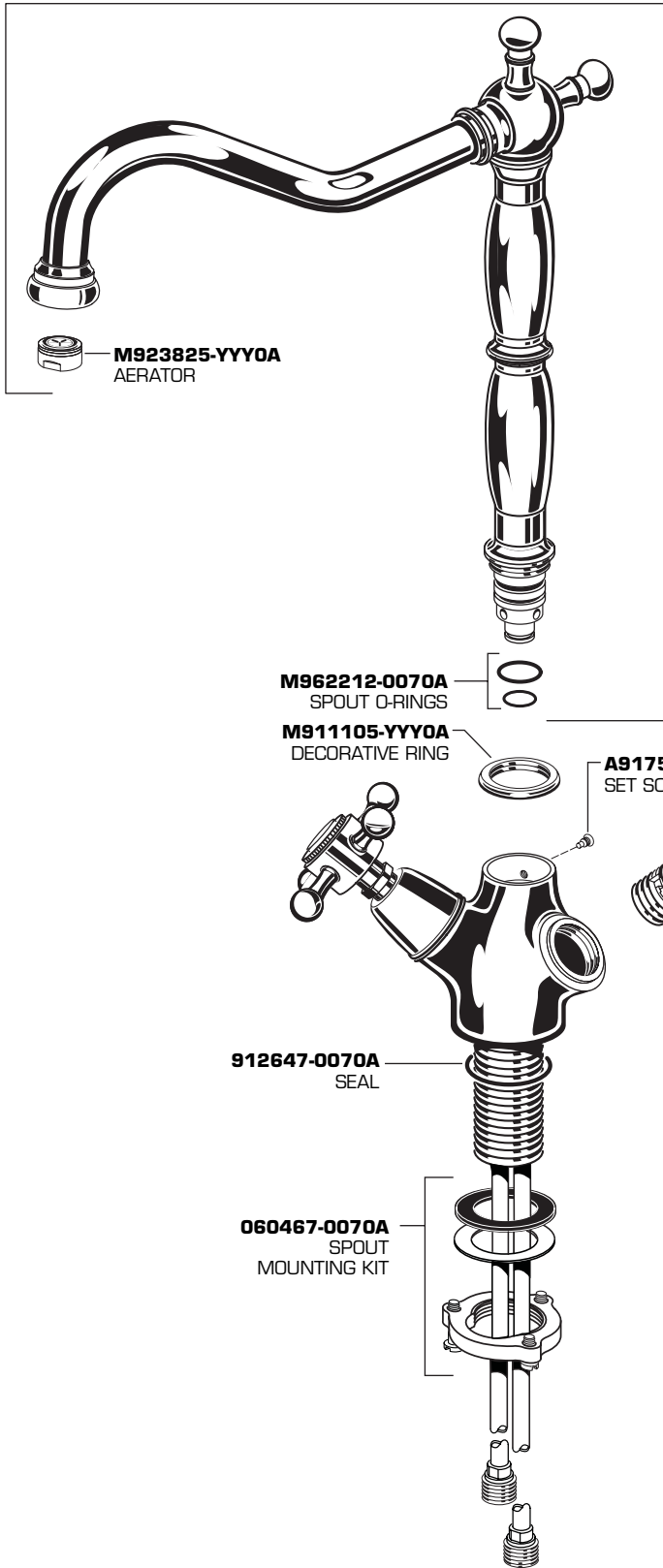


American Standard

Culinaire™
BAR/PANTRY
KITCHEN FAUCET

MODEL NUMBER

4233.400



M962211-YYY0A
SPOUT

M923825-YYY0A
AERATOR

M962213-YYY0A
INDEX BUTTON (HOT)
M962214-YYY0A
INDEX BUTTON (COLD)

E908443-YYY0A
CROSS HANDLE

M962212-0070A
SPOUT O-RINGS

M911105-YYY0A
DECORATIVE RING

A917514-0070A
SET SCREW

918555-0070A
HANDLE SCREW

M962215-YYY0A
HANDLE BASE

994053-0070A
VALVE

912647-0070A
SEAL

060467-0070A
SPOUT
MOUNTING KIT

Replace the "YYY" with appropriate finish code

CHROME	002
POLISHED BRASS	099
SATIN NICKEL	295
BLACKENED BRONZE	068



HOT LINE FOR HELP

For toll-free information and answers to your questions, call:
 1-800 442-1902
 Weekdays 8:00 a.m. to 8:00 p.m. EST

IN CANADA 1-800-387-0369 (TORONTO 1-905-306-1093)
 Weekdays 8:00 a.m. to 7:00 p.m. EST
 IN MEXICO 01-800-839-12-00

Product names listed herein are trademarks of American Standard Inc.
 © American Standard Inc. 2002

5

EverClean™ Finish Care Instructions

American Standard's EverClean finish will wipe clean with a soft, dry cloth. A soft cloth with clean water may also be used, if desired. No additional cleaning products are required.

DO NOT USE: Soaps, acid, polish, abrasives, harsh cleaners, or a cloth with a coarse surface.