

American Standard

JASMINE  
AMARILIS

# Installation Instructions 3808.101

## Centerset Lavatory Faucet with Speed Connect™ Drain

Congratulations on purchasing your American Standard faucet with Speed Connect drain, a feature found only on American Standard faucets.

### Speed Connect™ Drain\*

- Fewer parts, installs in less time
- Never needs adjustment
- Guaranteed to seal properly the first time, every time.

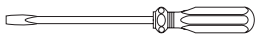
To ensure that your installation proceeds smoothly-please read these instructions carefully before you begin.



Certified to comply with ANSI A112.18.1

51314 Rev.1.3

### Recommended tools



Screwdriver



Channel Locks



Adjustable Wrench

1

## INSTALL FAUCET

### CAUTION

Turn off water at  
main supply.

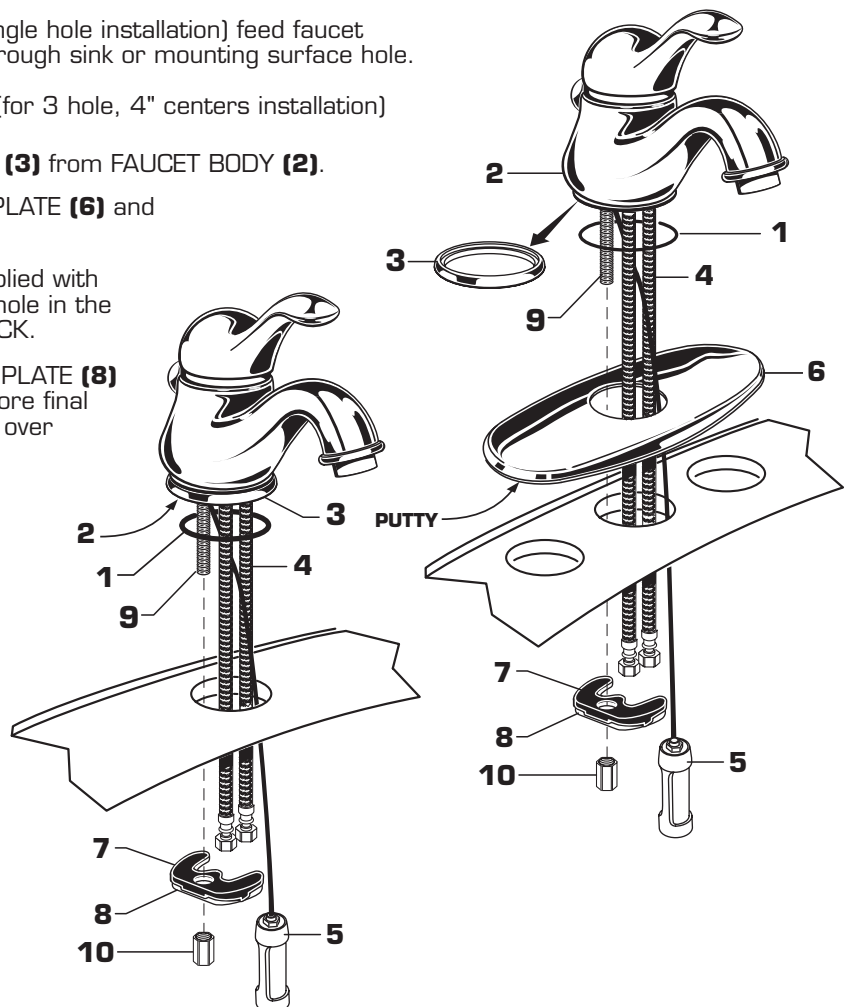
- For single hole installation. **Fig. A.**  
Make sure that O-RING (1) is installed into base of FAUCET (2).
- For installation with DECORATIVE RING (3) (single hole installation) feed faucet SUPPLIES (4) and CABLE CONNECTOR (5) through sink or mounting surface hole.

For installation with ESCUTCHEON PLATE (6) (for 3 hole, 4" centers installation) use the following steps: **Fig. B.**

- Unscrew and remove DECORATIVE RING (3) from FAUCET BODY (2).
- Apply putty to underside of ESCUTCHEON PLATE (6) and place over mounting holes.
- Feed faucet tubes through O-RING (1) supplied with ESCUTCHEON PLATE (6) and through the hole in the ESCUTCHEON (6) and through SINK or DECK.
- From below, push GASKET (7) and RETAINER PLATE (8) over STUD (9) and secure with NUT (10) Before final tightening, adjust faucet so that it is centered over mounting hole.

**Fig. B.**

### INSTALLATION WITH ESCUTCHEON PLATE

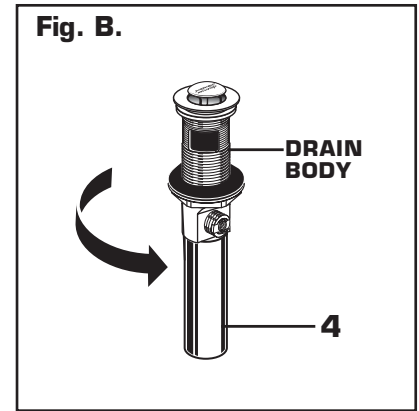
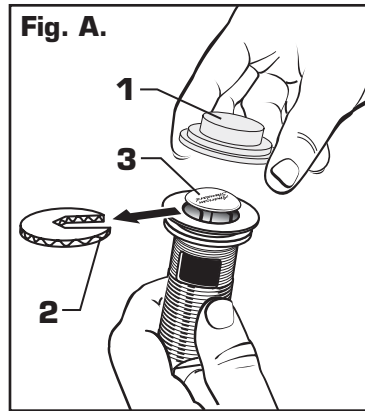


**Fig. A.**

### SINGLE HOLE INSTALLATION

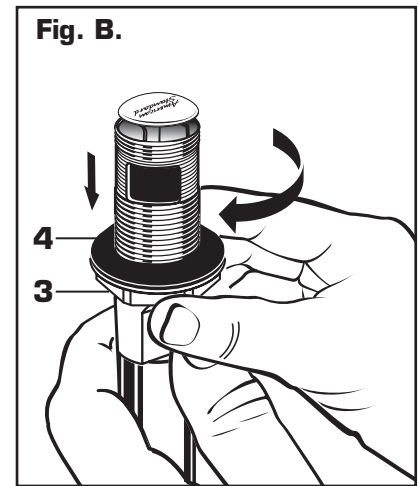
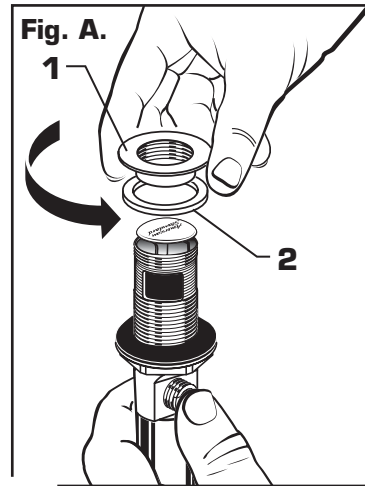
## 2 POP-UP DRAIN

- Remove CLEAR PLASTIC COVER (1).
- Remove CARDBOARD SPACER (2) from under DRAIN POP-UP (3).
- Tighten TAILPIECE (4) on DRAIN BODY before installing DRAIN BODY. **Fig. B.**



## 3 REMOVE FLANGE

- Thread FLANGE (1) counter-clockwise and remove FLANGE (1) and FOAM GASKET (2) from drain body. **Fig. A.**
- Thread LOCKNUT (3) clockwise to bottom of drain body. Push GASKET (4) down against LOCKNUT (3). **Fig. B.**

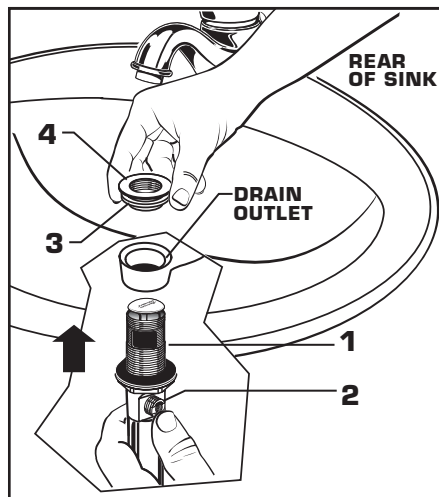


## 4 INSTALL DRAIN FROM BELOW FIXTURE

- From under side of SINK install DRAIN BODY (1) up through drain outlet.

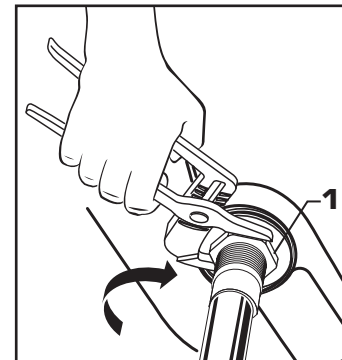
**Note:** No plumber's putty or caulk is required. The CABLE ATTACHMENT POINT (2) must face towards the rear of the SINK.

- Install FOAM GASKET (3) and FLANGE (4) onto drain body from above SINK and tighten FLANGE (4) firmly.



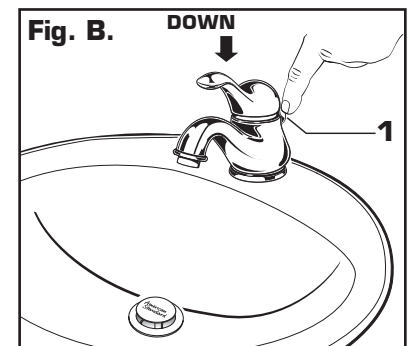
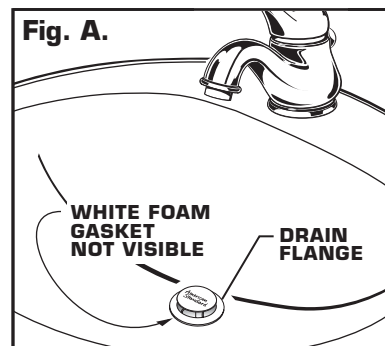
## 5 TIGHTEN LOCKNUT

- Tighten LOCKNUT (1) firmly with Adjustable Wrench or Channel Locks.



## 6 FLANGE GASKET AND POP-UP KNOB

- Check DRAIN FLANGE in SINK to ensure that WHITE FOAM GASKET (3) is fully compressed and not visible. **Fig. A.**
- POP-UP KNOB (1) must be fully down. **Fig. B.**



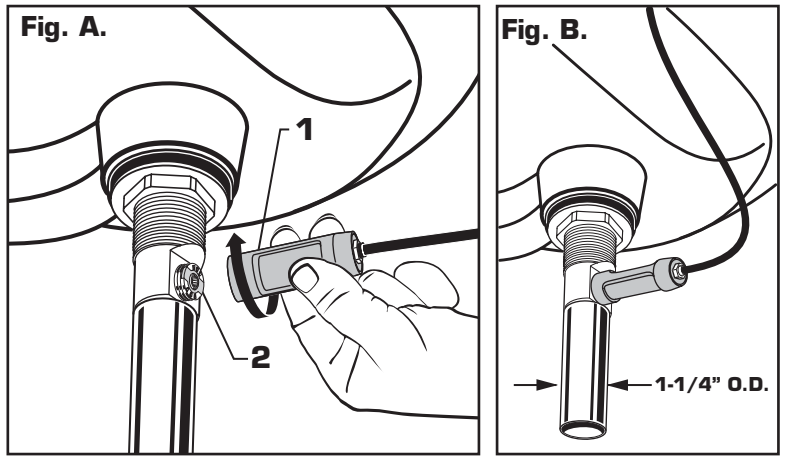
# 7

## ATTACH CABLE CONNECTOR

- Thread CABLE CONNECTOR (1) clockwise onto DRAIN BODY CONNECTION (2) and hand tighten. **Fig. A.**

Your new POP-UP DRAIN installation is now complete. **Fig. B.**

**Note:** Tailpiece on pop-up drain is 1-1/4" O.D. **Fig. B.**

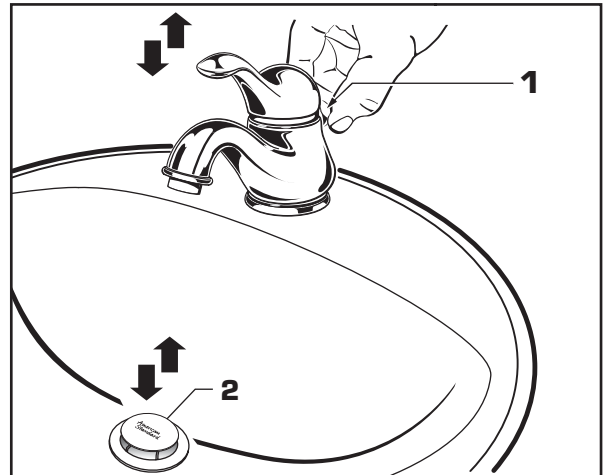


# 8

## CHECK OPERATION OF POP-UP

- Operate LIFT KNOB (1) to verify that STOPPER (2) opens and closes.

**Note:** If STOPPER (2) does not open and close properly then refer to the "troubleshooting section" of these instructions.



# 9

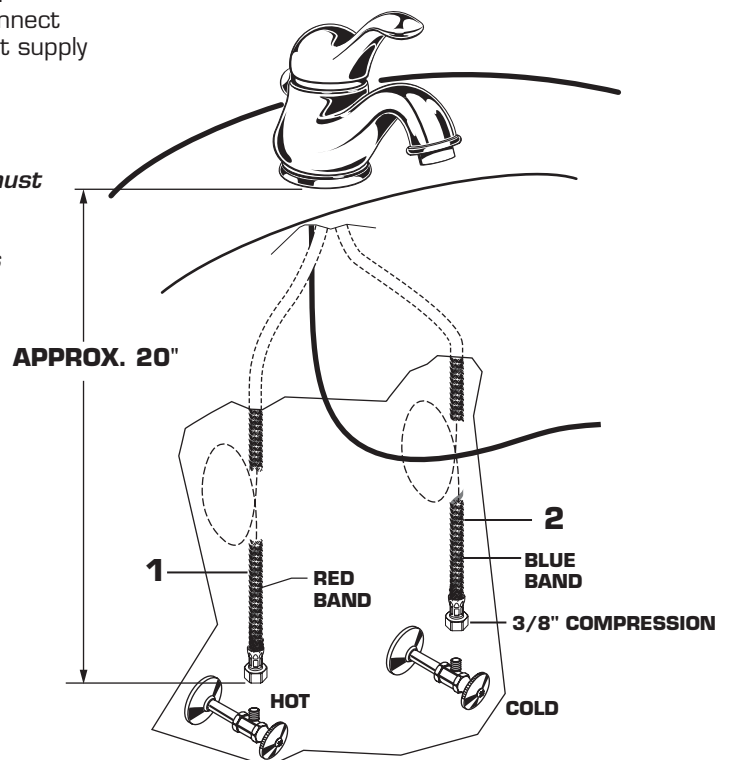
## MAKE WATER SUPPLY AND WASTE CONNECTIONS

- Connect FLEXIBLE SUPPLIES (1, 2) directly to wall supplies. Connection on fitting supplies are 3/8" compression. Connect left SUPPLY (1) to Hot (Marked with a Red Band) and right supply to COLD (2) wall supply.
- Faucet supplies are 20" long from faucet base.

**Note:** If additional supply length is required, installer must purchase additional parts separately.

**Important:** If SUPPLY HOSES (1, 2) are to long, loop as illustrated to avoid kinking.

- Connect 1-1/4" O.D. tailpiece on POP-UP DRAIN to waste outlet.



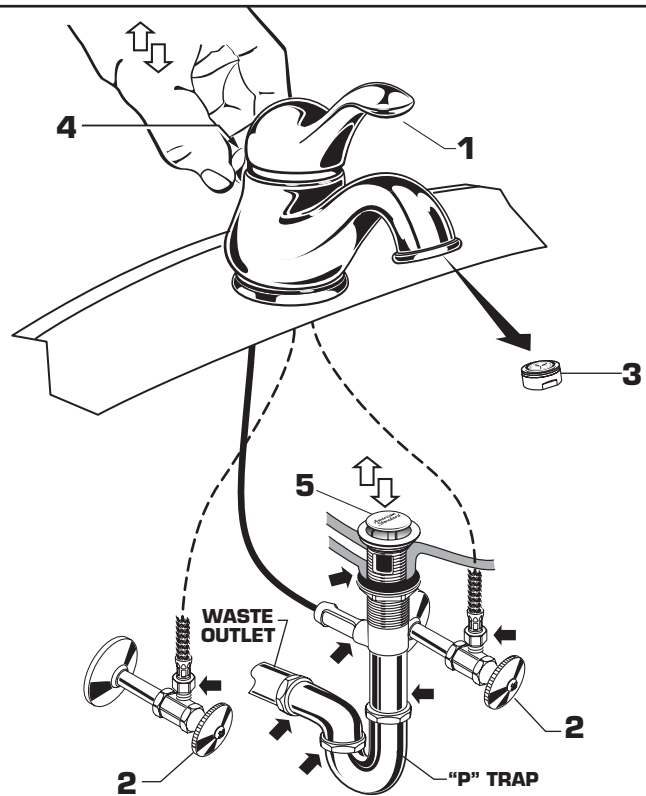
# 10

## TEST INSTALLED FITTING

- With HANDLE (1) in OFF position, turn on WATER SUPPLIES (2) and check all connections for leaks. ➡
- Remove AERATOR (3).
- Operate HANDLE (1) to flush water lines thoroughly.
- Replace AERATOR (3).

## CHECK DRAIN CONNECTIONS

- Operate POP-UP KNOB (4) and fill lavatory with water. Check that DRAIN STOPPER (5) makes a good seal and retains water in SINK. If DRAIN STOPPER (5) does not seal properly, please refer to Troubleshooting section in these instructions.
- Release POP-UP KNOB (4) down and check all drain connections and "P" trap for leaks. ➡ Tighten if necessary.

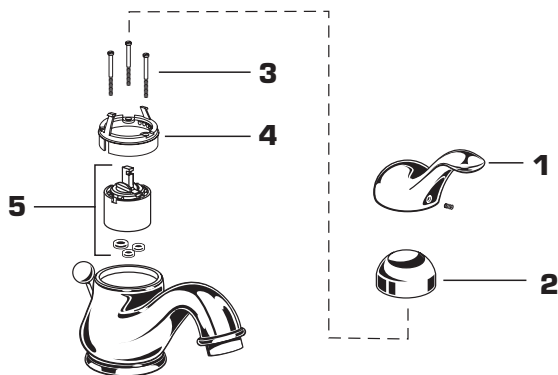


# 11

## SERVICE

### IF FAUCET DRIPS

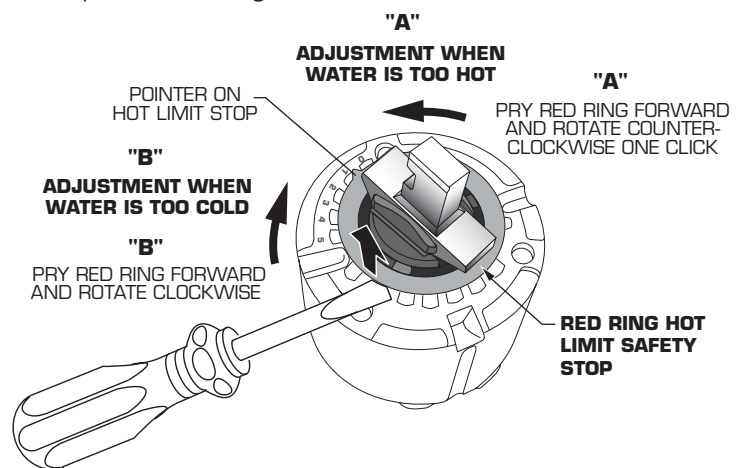
- If faucet drips, operate handle several times from "off" to "on". Do not apply excessive force.
- Clogged CARTRIDGE (5) inlets may cause reduced flow in "full on" hot or cold. To clean inlets, first turn off water supply, then:
  - Remove HANDLE (1), CAP (2) CARTRIDGE SCREWS (3) RETAINER (4) and CARTRIDGE (5).
  - Clean inlets on CARTRIDGE (5).
  - Reassemble CARTRIDGE (5), RETAINER (4) alternately tightening SCREWS (3), CAP (2) and HANDLE (1). Check flow.



### HOT LIMIT SAFETY STOP

By restricting handle rotation and limiting the amount of hot water allowed to mix with the cold, the HOT LIMIT SAFETY STOP reduces risk of accidental scalding. To set the maximum hot water temperature of your faucets, all you need to do is adjust the setting on the HOT LIMIT SAFETY STOP.

- Remove necessary trim parts. Use a flat blade screwdriver or pull forward with your fingers to rotate red HOT LIMIT SAFETY STOP. Follow Step "A" or "B" to adjust max./min. discharge temperature. "0" being the hottest to "7" the coldest temperature setting.



# 12

## CARE INSTRUCTIONS:

**DO: SIMPLY RINSE THE PRODUCT CLEAN WITH CLEAR WATER. DRY WITH A SOFT COTTON FLANNEL CLOTH.**

**DO NOT: DO NOT CLEAN THE PRODUCT WITH SOAPS, ACID, POLISH, ABRASIVES, HARSH CLEANERS, OR A CLOTH WITH A COARSE SURFACE.**