

TOWN SQUARE™ WHIRLPOOL AND BATHING POOL

- 2748.018W Whirlpool Massage System**
 - Acrylic with fiberglass reinforcement
 - Pre-leveled tub bottom
 - Two person design with center drain and dual lumbar ends
 - Faucet/Accessory deck area
 - 1.5 HP single speed, self-draining pump/motor
 - Factory installed power cord with plug
 - Six multi-directional and flow adjustable jets
 - Deck-mounted air switch On/Off
 - Two silent air volume controls
 - Quick Connect Safe-T-Heater connection system
 - Factory installed and tested whirlpool system

- 2748.018WC StayClean™ Whirlpool Massage System**
 - Same as 2748.018W except with the StayClean™ whirlpool system featuring Antimicrobial AlphaSan®

- 2748.002 Bathing Pool only**

Nominal Dimensions: 59-3/4 x 41-3/4 x 23
(1518 x 1060 x 584mm)

- Compliance Certifications - Meets or Exceeds the Following Specifications:**
- Underwriters Laboratories - Hydromassage Bathtubs UL 1795
 - ASME A112.19.7M for Whirlpool Appliances
 - ANSI Z124.1 for Plastic Bathtubs
 - ASTM E162 for Flammability
 - NFPA 258 for Smoke Density

NOTE: Roughing-in dimensions and product specifications shown on reverse side of page.



To Be Specified - Required:

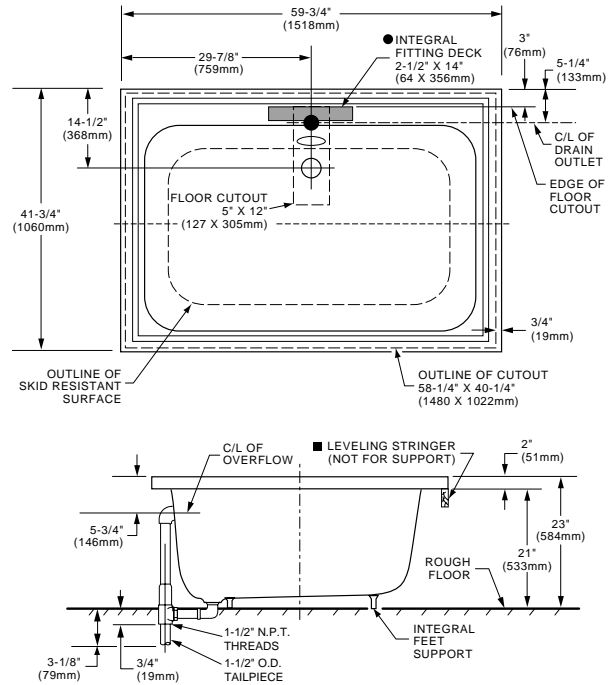
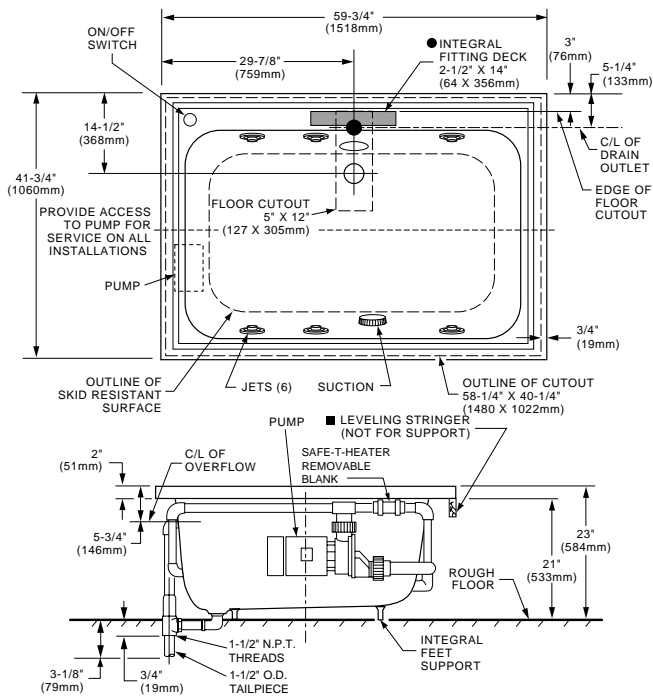
- Color:
- Drain 1594.170 (specify finish):
- Town Square Bath Faucet:
 - D/M Filler with Personal Shower: 2555.901 (specify finish)
 - D/M Filler less Personal Shower: 2555.900 (specify finish)
- Town Square Bath/Shower Faucet:
 - B/S for Wall Mount Spout: 2555.602 (specify finish)
 - B/S for Deck Mount Spout: 2555.652 (specify finish)
- Other Bath Faucet (specify finish):

To Be Specified - Optional:

- Safe-T-Heater*: 9075.120
- Apron: 9460.018 (specify color)
- Tile Bead Kit: 751755-200

For color/finish availability and other faucet choices, please see the Product Selector and Pricing Guide.

* **NOTE:** the Safe-T-Heater is designed to maintain water temperature during operation. It will not heat cold water to desired bathing temperature.



GENERAL SPECIFICATIONS FOR 2748 WHIRLPOOL

INSTALLED SIZE	59-3/4 x 41-3/4 x 23 In. (1518 x 1060 x 584mm)
WEIGHT	110 Lbs. (50 Kg.)
WEIGHT w/WATER	611 Lbs. (278 Kg.)
GAL. TO OVERFLOW	60 Gal. (227 L)
WHIRLPOOL MIN. OPERATING VOL.	55 Gal. (208 L)
BATHING WELL AT SUMP	34 x 24 In. (864 x 610mm)
BATHING WELL AT RIM	52 x 31 In. (1321 x 1321mm)
WATER DEPTH TO OVERFLOW	12-1/2 In. (318mm)
FLOOR LOADING (PROJECTED AREA)	40 Lbs./Sq.Ft. (194 Kgs./Sq.m)
PTS.	27.8
CUBE (FT ³)	45.4

WHIRLPOOL ELECTRICAL SPECIFICATIONS

WHIRLPOOL PUMP	1.6 HP, 9.7 AMPS, 120V.
----------------	-------------------------

GENERAL SPECIFICATIONS FOR 2748 BATHING POOL

INSTALLED SIZE	59-3/4 x 41-3/4 x 23 In. (1518 x 1060 x 584mm)
WEIGHT	110 Lbs. (50 Kg.)
WEIGHT w/WATER	611 Lbs. (278 Kg.)
BATHING WELL AT SUMP	34 x 24 In. (864 x 610mm)
BATHING WELL AT RIM	52 x 31 In. (1321 x 1321mm)
WATER DEPTH TO OVERFLOW	12-1/2 In. (318mm)
FLOOR LOADING (PROJECTED AREA)	40 Lbs./Sq.Ft. (194 Kgs./Sq.m)
PTS.	27.8
CUBE (FT ³)	45.4

NOTES:

BATH CAN BE INSTALLED EITHER ABOVE OR BELOW FLOOR LINE AS PIER, ISLAND OR PENINSULA TYPE INSTALLATION. SUMP OF BATH IS SUPPORTED BY INTEGRAL FEET. NO ADDITIONAL SUPPORT REQUIRED. ENCLOSING MATERIALS BY OTHERS.

- IF INSTALLING A DECK-MOUNTED FITTING, BEFORE DRILLING ANY HOLES: CHECK FOR INTERFERENCE WITH CIRCULATING SYSTEM PIPING AND DRAIN OVERFLOW. MOUNTING HOLES DRILLED BY INSTALLER.

OPTIONAL TILING BEAD KIT No. 751755-200 AVAILABLE.

- REFER TO INSTALLATION INSTRUCTIONS SUPPLIED WITH WHIRLPOOL FOR ADDITIONAL INFORMATION.

FITTINGS NOT INCLUDED AND MUST BE ORDERED SEPARATELY.

PROVIDE SUITABLE REINFORCEMENT FOR ALL SUPPORTS.

IMPORTANT: Dimensions of fixtures are nominal and may vary within the range of tolerances established by ANSI Standard Z124.1 / CSA Certified. These measurements are subject to change or cancellation. No responsibility is assumed for use of superseded or voided leaflet.

TOWN SQUARE™ AIR MASSAGE SYSTEM

2748.328 Air Massage System

- Acrylic with fiberglass reinforcement
- Pre-leveled tub bottom
- Two person design with center drain and dual lumbar ends
- Faucet/accessory deck areas
- 1.0 HP variable speed, heated blower
- Factory installed power cord with plug
- Twelve air injectors in Chrome
- Deck-mounted electronic control with Chrome bezel:
 - Operates variable speed blower
 - Automatic purge cycle after each use
 - User set 24-Hour purge cycle
- Drain waste and overflow in Chrome
- Factory installed and tested air system

Nominal Dimensions: 59-3/4 x 41-3/4 x 23
(1518 x 1060 x 584mm)

Compliance Certifications -

Meets or Exceeds the Following Specifications:

- Underwriters Laboratories - Hydromassage Bathtubs UL 1795
- ASME A112.19.7M for Whirlpool Appliances
- ANSI Z124.1 for Plastic Bathtubs
- ASTM E162 for Flammability
- NFPA 258 for Smoke Density

NOTE: Roughing-in dimensions and product specifications shown on reverse side of page.



To Be Specified - Required:

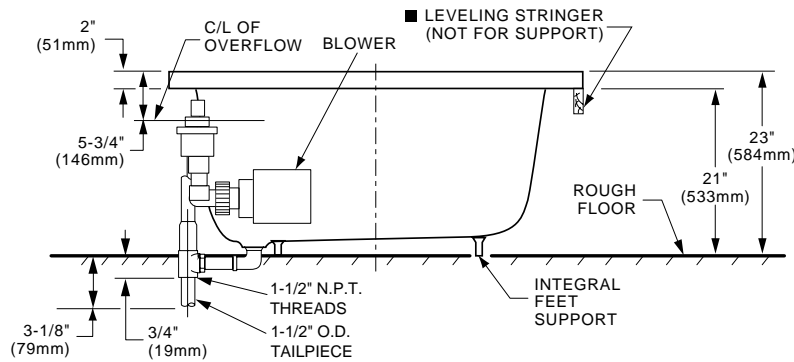
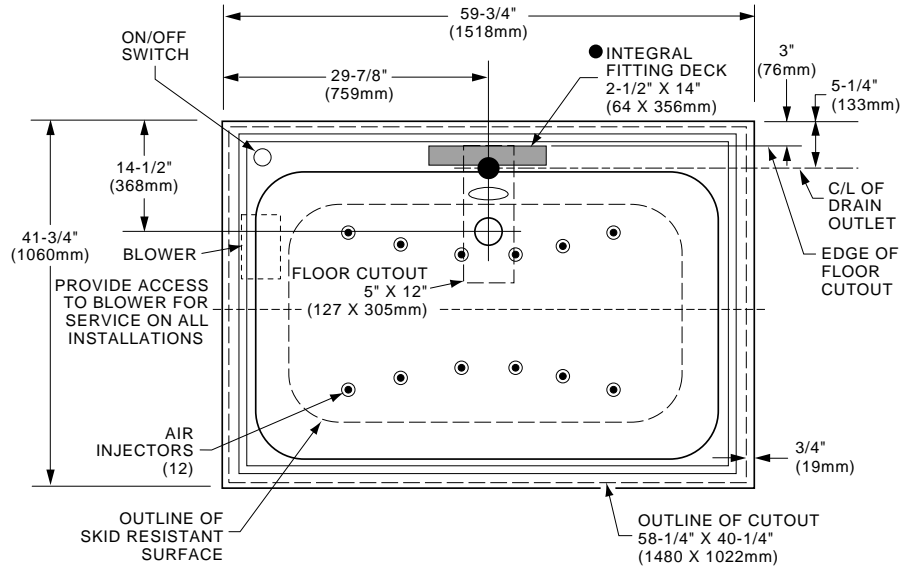
- Color:
- Town Square Bath Faucet:
 - D/M Filler with Personal Shower: 2555.901 (specify finish)
 - D/M Filler less Personal Shower: 2555.900 (specify finish)
- Town Square Bath/Shower Faucet:
 - B/S for Wall Mount Spout: 2555.602 (specify finish)
 - B/S for Deck Mount Spout: 2555.652 (specify finish)
- Other Bath Faucet (specify finish):

To Be Specified - Optional:

- Tile Bead Kit: 751755-200

For color/finish availability and other faucet choices, please see the Product Selector and Pricing Guide.

* **NOTE:** the Safe-T-Heater is designed to maintain water temperature during operation. It will not heat cold water to desired bathing temperature.



GENERAL SPECIFICATIONS FOR 2748 AIR MASSAGE SYSTEM	
INSTALLED SIZE	59-3/4 x 41-3/4 x 23 in. (1518 x 1060 x 584mm)
WEIGHT	110 Lbs. (50 Kg.)
WEIGHT w/WATER	611 Lbs. (278 Kg.)
GAL. TO OVERFLOW	60 Gal. (227 L)
WHIRLPOOL MIN. OPERATING VOL.	55 Gal. (208 L)
BATHING WELL AT SUMP	34 x 24 in. (864 x 610mm)
BATHING WELL AT RIM	52 x 31 in. (1321 x 1321mm)
WATER DEPTH TO OVERFLOW	12-1/2 in. (318mm)
FLOOR LOADING (PROJECTED AREA)	40 Lbs./Sq.Ft. (194 Kgs./Sq.m)
PTS.	27.8
CUBE (FT ³)	45.4
WHIRLPOOL ELECTRICAL SPECIFICATIONS	
AIR PUMP	1.0 HP, 6.1 AMPS, 120V.

NOTES:

BATH CAN BE INSTALLED EITHER ABOVE OR BELOW FLOOR LINE AS PIER, ISLAND OR PENINSULA TYPE INSTALLATION. SUMP OF BATH IS SUPPORTED BY INTEGRAL FEET. NO ADDITIONAL SUPPORT REQUIRED. ENCLOSING MATERIALS BY OTHERS.

- IF INSTALLING A DECK-MOUNTED FITTING, BEFORE DRILLING ANY HOLES: CHECK FOR INTERFERENCE WITH CIRCULATING SYSTEM PIPING AND DRAIN OVERFLOW. MOUNTING HOLES DRILLED BY INSTALLER.

OPTIONAL TILING BEAD KIT No. 751755-200 AVAILABLE.

- REFER TO INSTALLATION INSTRUCTIONS SUPPLIED WITH WHIRLPOOL FOR ADDITIONAL INFORMATION.

FITTINGS NOT INCLUDED AND MUST BE ORDERED SEPARATELY.

PROVIDE SUITABLE REINFORCEMENT FOR ALL SUPPORTS.

IMPORTANT: Dimensions of fixtures are nominal and may vary within the range of tolerances established by ANSI Standard Z124.1 / CSA Certified. These measurements are subject to change or cancellation. No responsibility is assumed for use of superseded or voided leaflet.

TOWN SQUARE™ COMBINATION MASSAGE SYSTEM

2748.428W Combination Massage System

- Acrylic with fiberglass reinforcement
- Pre-leveled tub bottom
- Two person design with center drain and dual lumbar ends
- Faucet/accessory deck areas
- Combines whirlpool and air massage systems

Whirlpool Massage System:

- 1.5 HP single speed, self-draining pump/motor
- Factory installed power cord with plug
- Six multi-directional and flow adjustable jets
- Two silent air volume controls
- Quick Connect Safe-T-Heater connection system

Air Massage System:

- 1.0 HP variable speed, heated blower
- Factory installed power cord with plug
- Twelve air injectors in Chrome
- Drain waste and overflow in Chrome

Deck mounted electronic Control:

- Operates whirlpool pump/motor and blow functions
- Automatic purge cycle after each Air Massage use
- User set 24-Hour purge cycle

2748.428WC StayClean™ Combination Massage System

- Same as 2748.428W except with the StayClean™ whirlpool system featuring Antimicrobial AlphaSan®

Nominal Dimensions: 59-3/4 x 41-3/4 x 23
(1518 x 1060 x 584mm)

Compliance Certifications -

Meets or Exceeds the Following Specifications:

- Underwriters Laboratories - Hydromassage Bathtubs UL 1795
- ASME A112.19.7M for Whirlpool Appliances
- ANSI Z124.1 for Plastic Bathtubs
- ASTM E162 for Flammability
- NFPA 258 for Smoke Density

NOTE: Roughing-in dimensions and product specifications shown on reverse side of page.



To Be Specified - Required:

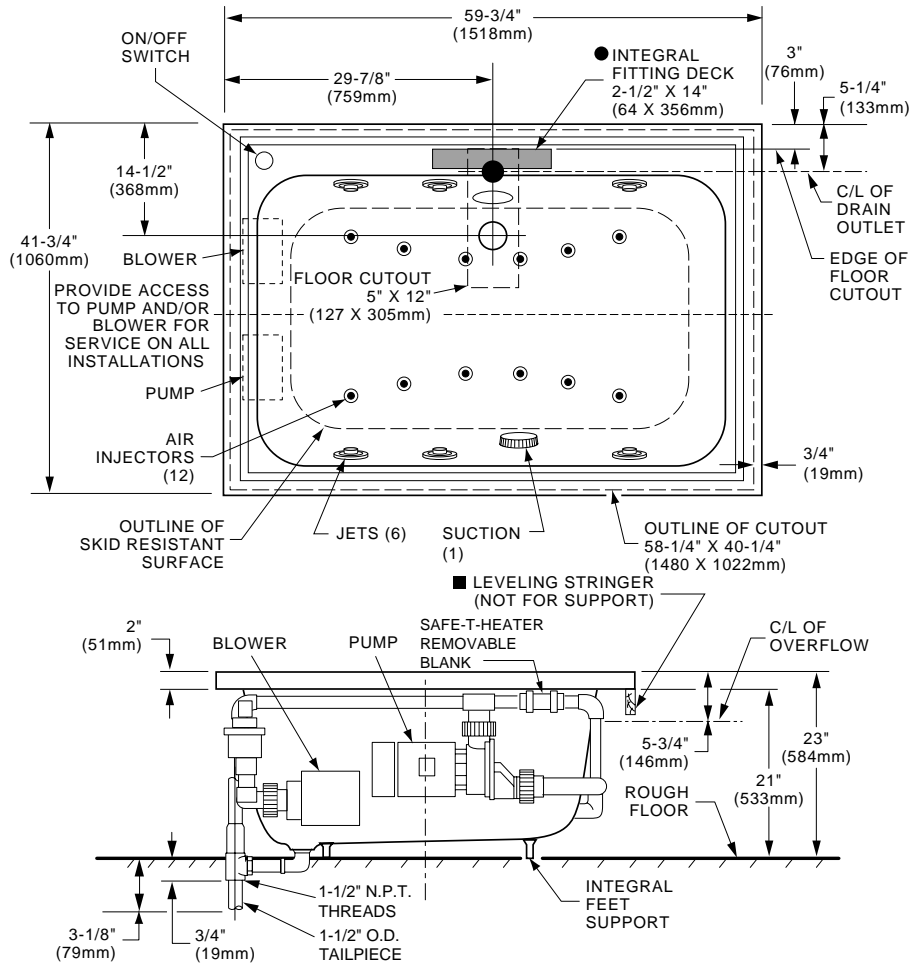
- Color:
- Town Square Bath Faucet:
 - D/M Filler with Personal Shower: 2555.901 (specify finish)
 - D/M Filler less Personal Shower: 2555.900 (specify finish)
- Town Square Bath/Shower Faucet:
 - B/S for Wall Mount Spout: 2555.602 (specify finish)
 - B/S for Deck Mount Spout: 2555.652 (specify finish)
- Other Bath Faucet (specify finish):

To Be Specified - Optional:

- Safe-T-Heater*: 9075.120
- Tile Bead Kit: 751755-200

For color/finish availability and other faucet choices, please see the Product Selector and Pricing Guide.

* **NOTE:** the Safe-T-Heater is designed to maintain water temperature during operation. It will not heat cold water to desired bathing temperature.



GENERAL SPECIFICATIONS FOR 2748 COMBINATION MASSAGE SYSTEM	
INSTALLED SIZE	59-3/4 x 41-3/4 x 23 In. (1518 x 1060 x 584mm)
WEIGHT	110 Lbs. (50 Kg.)
WEIGHT w/WATER	611 Lbs. (278 Kg.)
GAL. TO OVERFLOW	60 Gal. (227 L)
WHIRLPOOL MIN. OPERATING VOL.	55 Gal. (208 L)
BATHING WELL AT SUMP	34 x 24 In. (864 x 610mm)
BATHING WELL AT RIM	52 x 31 In. (1321 x 1321mm)
WATER DEPTH TO OVERFLOW	12-1/2 In. (318mm)
FLOOR LOADING (PROJECTED AREA)	40 Lbs./Sq.Ft. (194 Kgs./Sq.m)
PTS.	27.8
CUBE (FT ³)	45.4
WHIRLPOOL ELECTRICAL SPECIFICATIONS	
WHIRLPOOL PUMP	1.6 HP, 9.7 AMPS, 120V.
AIR PUMP	1.0 HP, 6.1 AMPS, 120V.

NOTES:

BATH CAN BE INSTALLED EITHER ABOVE OR BELOW FLOOR LINE AS PIER, ISLAND OR PENINSULA TYPE INSTALLATION. SUMP OF BATH IS SUPPORTED BY INTEGRAL FEET. NO ADDITIONAL SUPPORT REQUIRED. ENCLOSING MATERIALS BY OTHERS.

- IF INSTALLING A DECK-MOUNTED FITTING, BEFORE DRILLING ANY HOLES: CHECK FOR INTERFERENCE WITH CIRCULATING SYSTEM PIPING AND DRAIN OVERFLOW. MOUNTING HOLES DRILLED BY INSTALLER.

OPTIONAL TILING BEAD KIT No. 751755-200 AVAILABLE.

- REFER TO INSTALLATION INSTRUCTIONS SUPPLIED WITH WHIRLPOOL FOR ADDITIONAL INFORMATION.

FITTINGS NOT INCLUDED AND MUST BE ORDERED SEPARATELY.

PROVIDE SUITABLE REINFORCEMENT FOR ALL SUPPORTS.

IMPORTANT: Dimensions of fixtures are nominal and may vary within the range of tolerances established by ANSI Standard Z124.1 / CSA Certified. These measurements are subject to change or cancellation. No responsibility is assumed for use of superseded or voided leaflet.