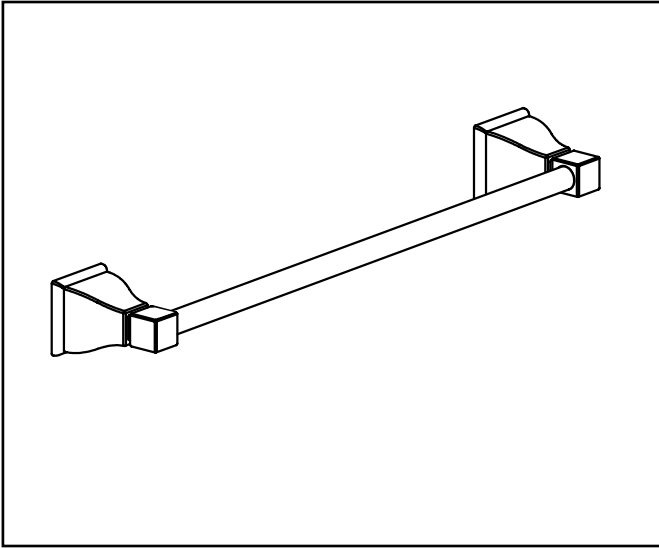


*American Standard*

**TOWN SQUARE™  
ACCESSORIES  
TOWEL BAR**

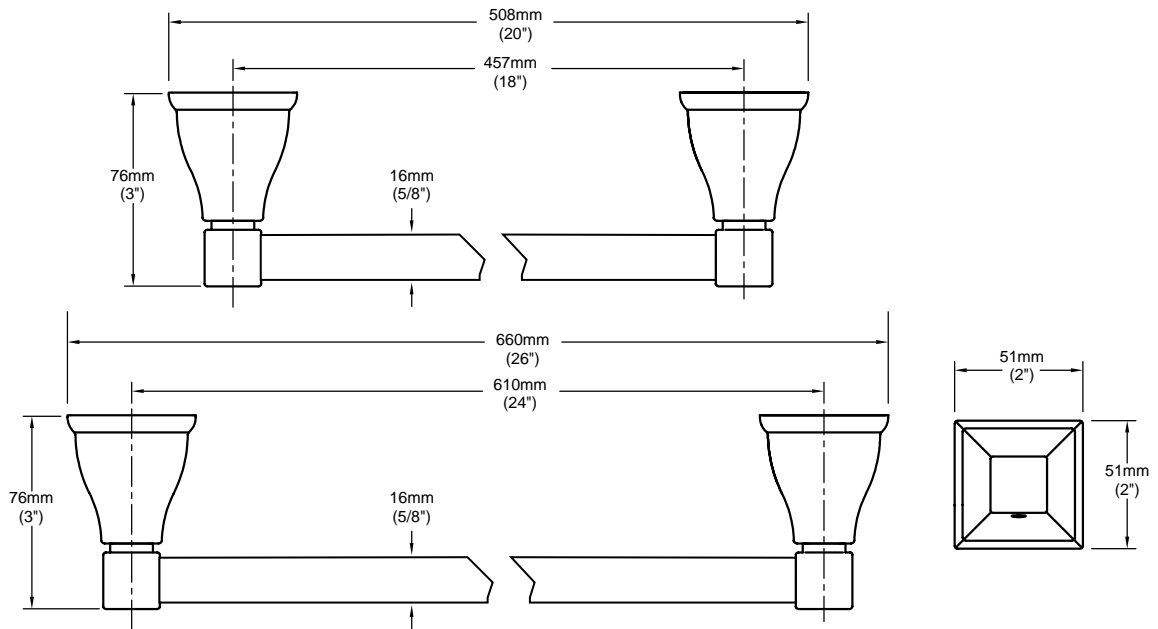


**MODEL NUMBER:**

- ☐ 2555.018 18" Towel Bar
- ☐ 2555.024 24" Towel Bar

**Available Finishes**

.002	Polished Chrome
.099	PVD Polished Brass
.295	PVD Satin



**PRODUCT FEATURES:**

**Heavy duty construction:** Highest quality materials for durability & long life.

**Concealed Mounting**

**Materials of Construction:** Towel bar tube - 0.75mm thick brass. Body and escutcheon - brass.

**Easy to Install**

**Choice of Finishes:** To match Chrome, PVD Brass and PVD Satin finishes. PVD finish on all Polished Brass and Satin components will never tarnish.

**SUGGESTED SPECIFICATION:**

18" and 24" Towel Bar shall feature heavy - duty construction with tarnish - free PVD finish on all Polished Brass and Satin components. Shall feature concealed mounting with no exposed set screws. 18" and 24" Towel Bar tube shall be 0.75mm thick brass tube. Towel Bar shall be American Standard Model # 2555.\_\_\_\_.\_\_\_\_.