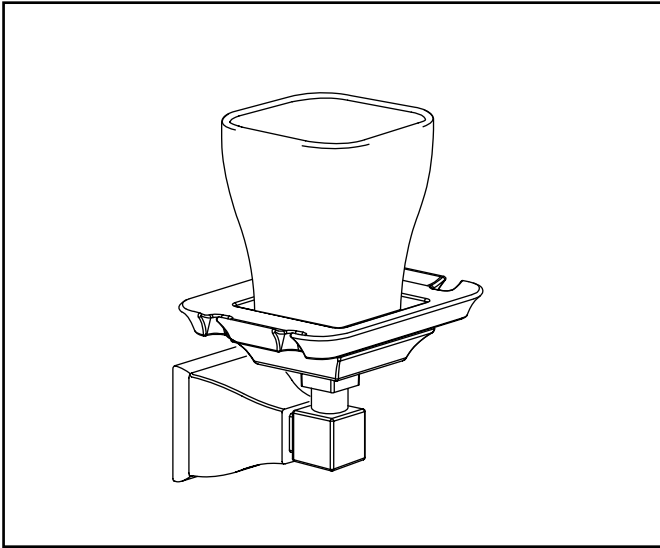


*American Standard*



# TOWN SQUARE™ ACCESSORIES

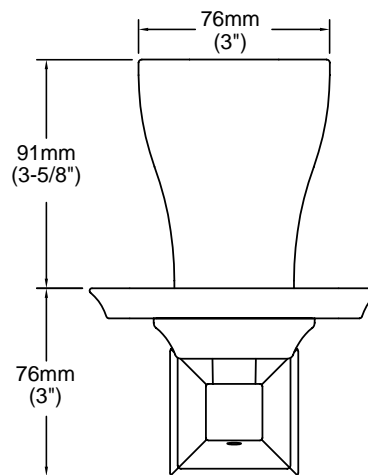
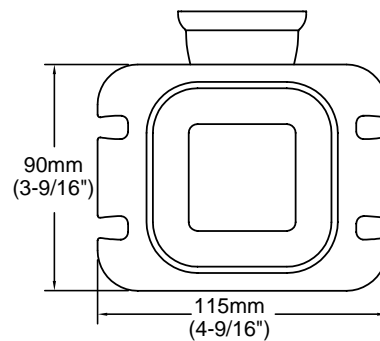
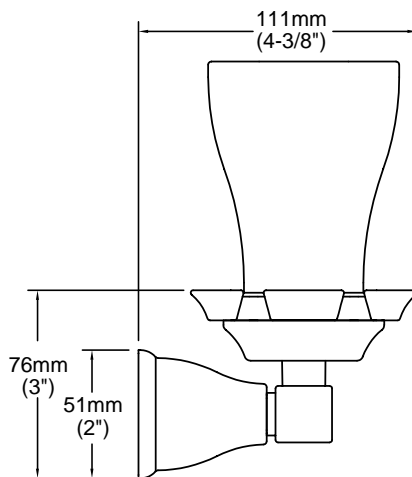
## TOOTHBRUSH/TUMBLER HOLDER

### MODEL NUMBER:

☐ 2555.091 Toothbrush/Tumbler Holder

### Available Finishes

.002	Polished Chrome
.099	PVD Polished Brass
.295	PVD Satin



### PRODUCT FEATURES:

**Heavy duty construction:** Highest quality materials for durability & long life.

**Concealed Mounting**

**Materials of Construction:** Body and Escutcheon - brass.  
Toothbrush Holder and Tumbler - Frosted glass.

**Easy to Install**

**Choice of Finishes:** To match Chrome, PVD Brass and PVD Satin finishes. PVD finish on all Polished Brass and Satin components will never tarnish.

### SUGGESTED SPECIFICATION:

Toothbrush Holder and Tumbler shall feature heavy - duty construction. Shall feature concealed mounting. Toothbrush Holder and Tumbler shall be frosted glass. Toothbrush Holder and Tumbler shall be American Standard Model # 2555.091.\_\_\_\_\_.