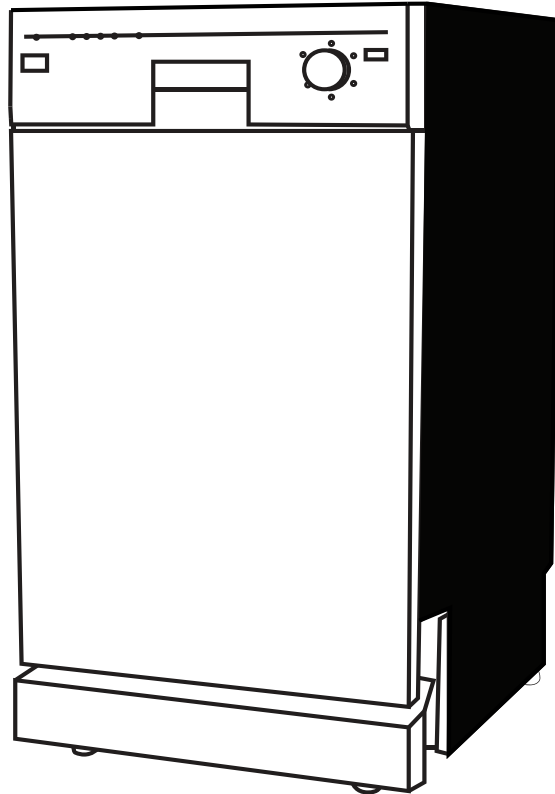


# EDGE STAR<sup>®</sup>

## 18" Built-In Dishwasher



### **BIDW1801SS/BIDW1801W BIDW1801BL Owner's Manual**

*For more information on other great EdgeStar products on the web, go to <http://www.edgestar.com>*

# Important Safety Information

Read the following safety information carefully prior to use. Improper use and/or handling can cause serious damage to the appliance and/or to the user.



## Electrical Safety

- This dishwasher must be connected to a grounded permanent electrical system by a licensed plumber.
- This dishwasher should be properly installed and placed in a location in accordance with the Installation Instructions prior to operation.
- Check with a qualified electrician or service representative if you are in doubt whether the appliance is properly grounded.
- Use only the correct power supply with appropriate amperage.
- Do not exceed the suggested power ratings.
- Use a power supply that cannot be turned off by a switch or pull chain.
- To minimize the possibility of electric shock, disconnect this appliance from the power supply before attempting any maintenance.
- Never plug or unplug the unit with wet hands.
- Do not modify the power cord's length or share the outlet with other appliances.
- Do not start or stop the unit by switching the circuit's power on and off.
- Keep the unit and control panel dry; do not spray water directly on the control panel to avoid electric shock.
- Always turn the unit off and disconnect it from the power supply when cleaning.
- If the power cord is damaged, it must be replaced by the manufacturer, a service agent, or a qualified technician.
- Read the rating label on the product for power requirements.
- If the unit is tipped over while filled with water, immediately unplug the unit. Allow the unit to dry for 24 hours before operating it to minimize the risk of damaging the electronics.



## General Safety

- This appliance is not intended for use by persons, including children, with reduced physical, sensory or mental capabilities, unless they have been given supervision or instruction concerning the use of the appliance by the person(s) responsible for their safety.
- The door should remain closed. Left in the down position, the door presents a tripping hazard.
- Children should be supervised to ensure that they do not play with the controls.
- This unit must be installed indoors.
- Do not place objects on or let any person sit on top of the unit.
- Do not shake the unit when it is in operation.
- Operate this dishwasher only in its upright position with all enclosure panels properly in place.
- Do not remove any part of the casing unless instructed by an authorized technician.
- You should never attempt to repair the unit yourself.
- Contact customer service for service options if the unit needs service.
- Immediately unplug the unit if it makes strange sounds, emits smells or smoke comes out of it, and contact customer service.
- Do not use flammable liquids or gases around the unit.
- This unit is intended for domestic use only. Any other use may invalidate the warranty.
- Do not attempt to repair or replace any part of your dishwasher unless it is specifically recommended in this manual.
- All other service maintenance should be completed by a qualified technician.



**Turning the dishwasher OFF does not disconnect the appliance from the power supply.**

Electrical products should not be disposed of with household waste. Please contact your local recycling center for more information on how to recycle electronic waste.



## WATER HEATER SAFETY PRECAUTION



### Hydrogen gas is flammable!

Under certain conditions, hydrogen gas may be produced in a water heater that has not been used for more than two weeks. To prevent the possibility of damage and/or injury, turn on all hot water faucets and allow them to run for several minutes. Do this before using any electrical appliance connected to the hot water system. This simple procedure will release any built-up hydrogen gas. Since hydrogen gas is flammable, do not smoke, use an open flame or use any appliance during this process.

## PRECAUTIONS FOR OPERATION

When using your dishwasher, follow basic precautions, including the following:

- Use this appliance only for its intended purpose as described in this Owner's Manual.
- This appliance is not intended for use by children.
- Do not allow children to play with, on or inside this or any appliance.
- Close supervision is necessary if this appliance is used near children.
- Use caution when opening or closing the door to avoid injury.
- Do not touch the heating element during or immediately after use.
- Use only powder, tabs, liquid detergents or rinse agents recommended for use in a dishwasher and keep them out of the reach of children.
- Using a detergent that is not specifically designed for dishwashers may have an undesired result such as excessive suds.
- Dishwasher detergents are strongly alkaline and can be extremely dangerous if swallowed. Avoid contact with skin and eyes and keep children away from the dishwasher when the door is open.
- To avoid damage to the door seal, place sharp items strategically.
- Load sharp knives handle-side up to reduce the risk of injury.
- Do not wash plastic unless it is marked as dishwasher safe. For plastic items not marked as dishwasher safe, refer to the manufacturer's recommendations.
- Do not operate your dishwasher unless everything enclosed is securely in place.
- Do not tamper with controls.
- Do not rough-handle, sit or stand on the door or dish rack of the dishwasher. The dishwasher could tip forward if a heavy object is placed on the door.
- Do not discard the dishwasher without removing the door.
- Do not store or use combustible materials such as gasoline or other flammable vapors and liquids in the vicinity of this or any other appliance.
- If your dishwasher is connected to a wall switch, ensure the switch is ON prior to use.
- Do not wash non-dishware items such as furnace filters, paint brushes, etc. in your dishwasher. Discoloration, staining and/or other damage to the dishwasher may result.
- If you choose to turn the switch OFF between wash cycles on dishwashers with electronic controls, allow 5 - 10 seconds after turning the switch ON before touching the START/RESET button. This allows the control system to reboot.
- Check that the detergent receptacle is empty after completion of the wash cycle.

# Table of Contents

<b>IMPORTANT SAFETY INFORMATION</b> .....	<b>I</b>
<b>WATER HEATER SAFETY PRECAUTION</b> .....	<b>II</b>
PRECAUTIONS FOR OPERATION .....	II
<b>TABLE OF CONTENTS</b> .....	<b>III</b>
<b>INTRODUCTION</b> .....	<b>1</b>
<b>PARTS IDENTIFICATION</b> .....	<b>2</b>
<b>BEFORE YOU BEGIN</b> .....	<b>3</b>
FOR BEST RESULTS: .....	4
WATER TEMPERATURE .....	4
<b>INSTALLATION PREPARATION</b> .....	<b>6</b>
<b>INSTALLATION INSTRUCTIONS</b> .....	<b>7</b>
<b>OPERATING INSTRUCTIONS</b> .....	<b>15</b>
<b>WASH CYCLE</b> .....	<b>16</b>
<b>DETERGENT DISPENSER</b> .....	<b>17</b>
WATER HARDNESS .....	17
REMOVING HARD WATER SPOTS .....	17
<b>JET-DRY RINSE AGENT</b> .....	<b>18</b>
<b>LOADING GUIDELINES</b> .....	<b>19</b>
<b>CUTLERY/SILVERWARE BASKET</b> .....	<b>20</b>
<b>STARTING THE WASH CYCLE</b> .....	<b>21</b>
FORGET TO ADD A DISH? .....	21
AT THE END OF THE WASH CYCLE .....	22
REMOVING THE DISHES .....	22
<b>MAINTENANCE</b> .....	<b>23</b>
FILTER SYSTEM .....	23
CARING FOR YOUR DISHWASHER .....	24
PROTECT AGAINST FREEZING .....	24
CLEANING THE SPRAY ARMS .....	24
CLEANING THE DOOR .....	24
HOW TO KEEP YOUR DISHWASHER IN SHAPE .....	25
<b>TROUBLESHOOTING</b> .....	<b>26</b>
<b>SPECIFICATIONS</b> .....	<b>28</b>
<b>EDGE STAR LIMITED WARRANTY</b> .....	<b>29</b>

This owner's manual is provided for reference use only. Specifications may change without prior notice. Refer to the product label on the back of your product for the latest technical information.

# Introduction

Thank you for purchasing this EdgeStar built-in dishwasher. We are glad you chose us. We believe that your purchase of this product opens a relationship between you and EdgeStar. We will provide the customer support needed to nurture that relationship.

This manual contains important information regarding the proper installation, usage and maintenance of your built-in dishwasher. Following this manual will ensure that your product will work at its peak performance and efficiency.

Please save the original product packaging in case you need to safely transport your dishwasher.

### For Your Records:

Please write down the model number and serial number below for future reference. Both numbers are located on the ratings label on the back of your unit and are needed to obtain warranty service. You may also want to staple your receipt to this manual as it is the proof of your purchase, and is also needed for service under your warranty.

Model Number: \_\_\_\_\_

Serial Number: \_\_\_\_\_

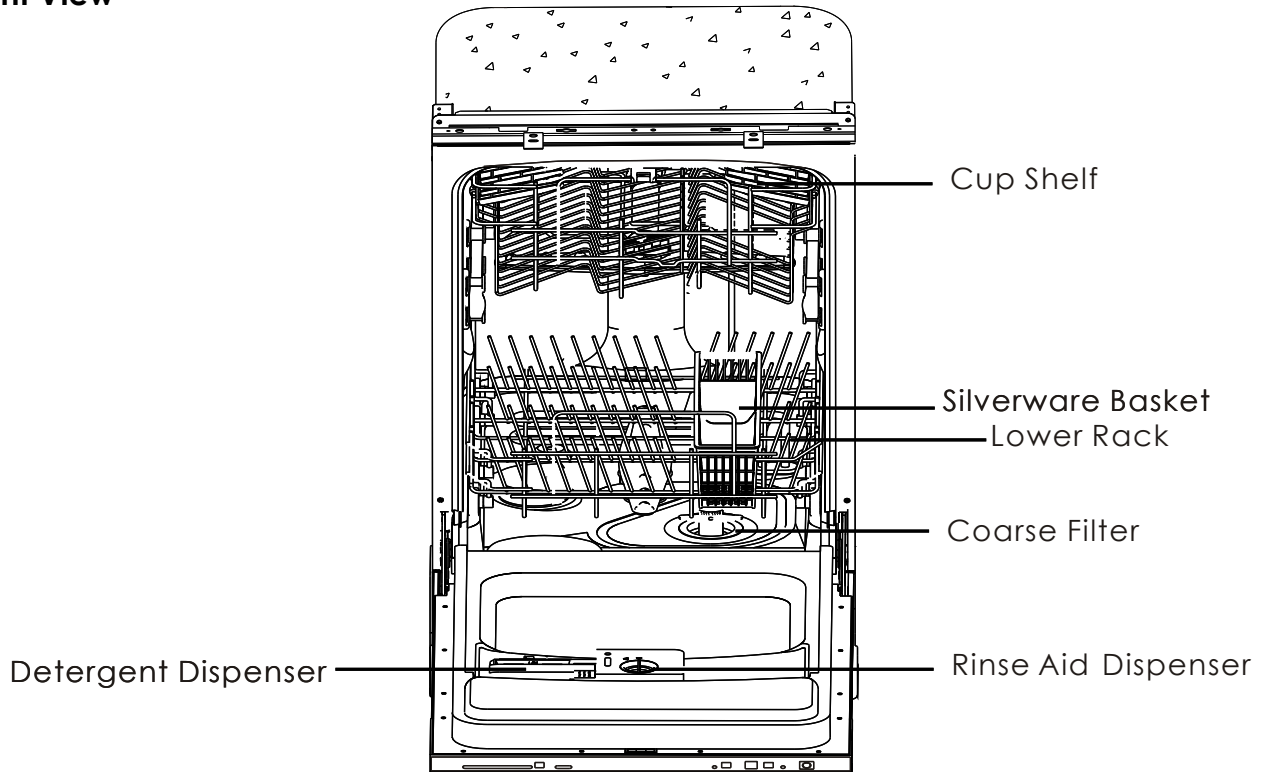
Date of Purchase: \_\_\_\_\_

To better serve you, please do the following before contacting customer service:

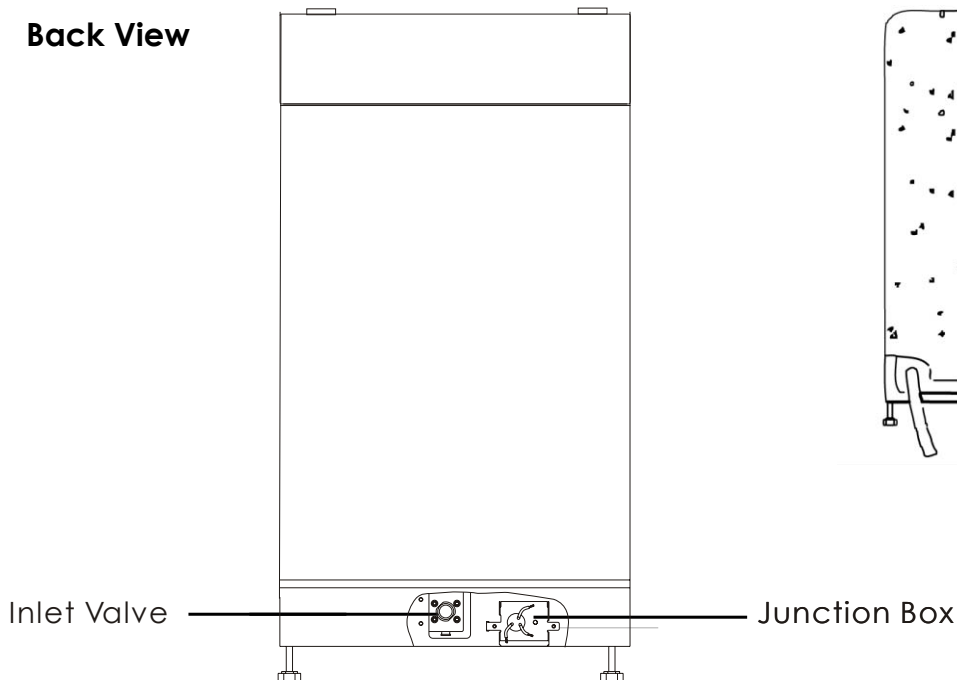
- If you received a damaged product, immediately contact the dealer that sold you the product.
- Read and follow this instruction manual carefully to help you install, use and maintain your evaporative air cooler.
- Read the troubleshooting section of this manual as it will help you diagnose and solve common issues.
- Visit us on the web at <http://www.edgestar.com> to register your product, download product guides, additional troubleshooting resources and up-to-date information.
- If you need warranty service, our friendly customer service representatives are available via email at [service@edgestar.com](mailto:service@edgestar.com) or by telephone at **1 (866) 319-5473**.

# Parts Identification

## Front View



## Back View

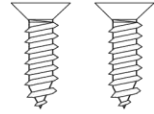


Note: Your dishwasher comes standard with an insulation foam wrap to mitigate its operating noises. The top, sides and back of the unit will be covered with this wrap; the back will appear like the diagram to the left.

## Before You Begin

### PARTS SUPPLIED:

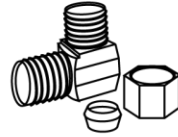
- Two #8 Phillips flat head wood screws, 5/8" long to secure dishwasher to underside of countertop (in literature package).



2 Wood Screws

### MATERIALS YOU WILL NEED:

- Ferrule, compression nut and 90° Elbow (3/8" NPT external thread on one end, opposite end sized to fit water supply)
- Hand shut-off valve
- Thread seal tape
- UL Listed wire nuts (3)



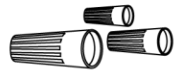
90° Elbow,  
Ferrule and  
Compression Nut



Hand  
Shut-Off  
Valve



Thread  
Seal Tape



Wire Nuts (3)

### Materials For New Installations Only:

- Air gap for drain hose, if required
- Waste tee for house plumbing, if applicable
- Electrical cable or power cord, if applicable
- Screw type hose clamps
- Strain relief for electrical connection
- Water line 3/8" min. copper
- Coupler for extending drain line, if applicable



Waste Tee



Electrical Cable  
(or Power Cord, if applicable)



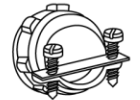
Hot Water line



Air Gap



Screw Type  
Hose Clamps



Strain Relief



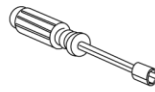
Coupler

### TOOLS YOU WILL NEED:

- Phillips head screwdriver
- 5/16" and 1/4" nutdriver
- 6" Adjustable wrench
- Level
- Carpenters square
- Measuring tape
- Safety glasses
- Flashlight
- Bucket to catch water when flushing the line
- Gloves



Phillips head  
screwdriver



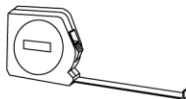
5/16" and  
1/4" nutdriver



6" Adjustable  
wrench



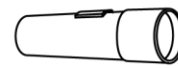
Level



Measuring tape



Safety glasses



Flashlight

Carpenters  
square



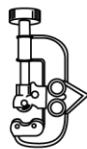
Bucket



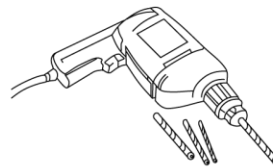
Gloves

### For New Installations Only:

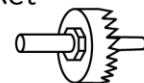
- Tubing cutter
- Drill and appropriate bits
- Hole saw set



Tubing cutter



Drill and Bits



Hole saw set

Note: New installations require more time than replacement installations. Installation of this dishwasher requires basic mechanical, electrical and plumbing skills.

**Proper installation is the responsibility of the installer. Product failure due to improper installation is not covered under the warranty.**

## Before You Begin (Continued)

- Remove all packaging materials carefully.
- The dishwasher must be installed on a solid, level surface.

### For Best Results:

Your dishwasher cleans by spraying a mixture of clean hot water and detergent (under pressure) against the soiled surfaces of dishes. The water is pumped through a rotating spray arm, drained through a filter (removing food and soiled particles) and pumped back through the spray arm. Soiled water is pumped out and replaced with clean water at the end of each cycle (the number of times this is repeated depends on the wash cycle chosen).

### Water Temperature

For best results, the water temperature must be at least 120°F (49°C). To prevent damage to the dishwasher, the temperature of the incoming water supply should not exceed 149°F (65°C).

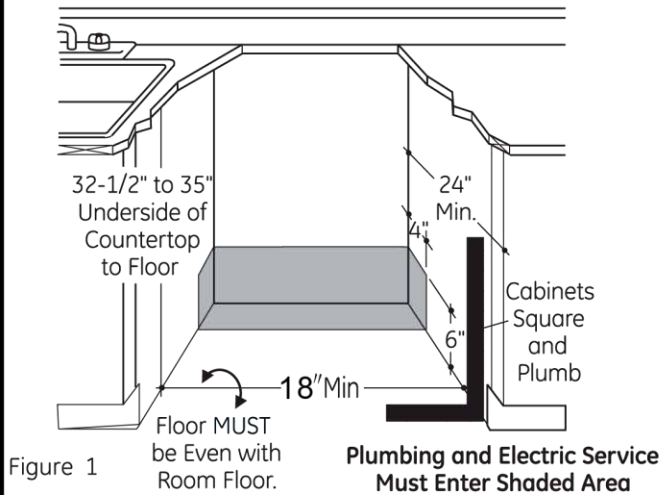
### NOTE:

Hard water conditions will adversely affect the washing performance of your dishwasher. Hard water conditions will also contribute to “lime” (white film substance) deposits and/or “scaling” on the stainless steel surface of the dishwasher tub and heater element, located in the sump underneath the removable filter screen. To assist in minimizing these conditions, it is recommended to periodically operate/rinse the inside of the dishwasher (empty) using 1 cup of white vinegar.



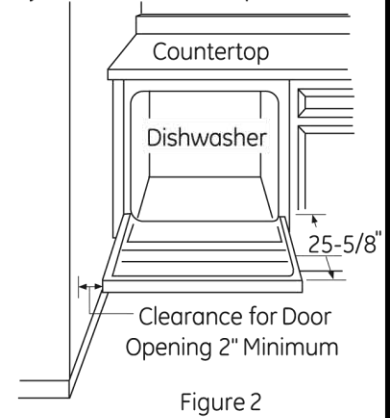
## Before You Begin (Continued)

### PREPARE DISHWASHER ENCLOSURE



- The rough cabinet opening must be at least 24" deep and 18" Wide. The opening should be to 35" max height.
- The dishwasher must be installed so that drain hose is no more than 10 feet in length for proper drainage.
- The dishwasher must be fully enclosed on the top,

**CLEARANCES:** When installed into a corner, allow 2" min. clearance between dishwasher and adjacent cabinet, wall or other appliances. Allow 25-5/8" min. clearance from the front of the dishwasher for door opening. Figure 2



### DRAIN REQUIREMENTS

Follow local codes and ordinances.

- Do not exceed 10 feet distance to drain.
- Do not connect drain lines from other devices to the dishwasher drain hose.
- Dishwasher must be connected to waste line with an air gap (not supplied) or 32" minimum high drain loop, depending on local codes and ordinances to prevent back flow into the dishwasher.
- Air gap must be used if waste tee or disposer connection is less than 18" above the floor to prevent siphoning.

### DRAIN PREPARATION

The type of drain installation depends on answers to the following questions:

- Do local codes or ordinances require an air gap?
- Will waste tee or disposer connection be less than 18" above the floor?
- Will installation have a drain loop less than 32" above floor?

If the answer to **ANY** of the 3 questions above is **YES**, **Method 1 MUST be used**. Otherwise, either Method 1 (Figure 3) or Method 2 (Figure 4) may be used.

### ⚠ CAUTION:

An air gap **MUST BE USED** if the drain hose is connected to waste tee or disposer lower than 18" above the floor. Failure to provide the proper drain connection height with air gap or 32" minimum will result in improper draining of the dishwasher.

### ⚠ PRECAUCIÓN:

DEBE USARSE un espacio de aire si la manguera de drenaje se encuentra conectada a una T de eliminación o desecho inferior a 18" sobre el piso. No brindar la adecuada altura de conexión de drenaje con un espacio de aire o un circuito de desagüe de 32" como mínimo, provocará un drenaje inadecuado del lavaplatos.

### Method 1 Air Gap with Waste Tee or Disposer

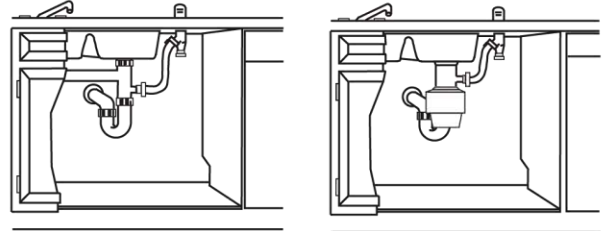


Figure 3

### Method 2 High Drain with Waste Tee or Disposer

Provide a method to attach drain hose to underside of countertop.

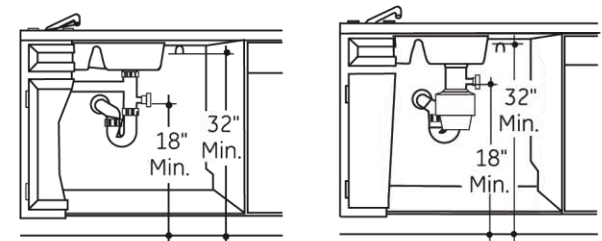


Figure 4

Install waste tee or disposer and air gap according to Manufacturer's instructions.

### CABINET PREPARATION

- Drill a 1 & 1/2" dia. hole in the cabinet wall within the shaded areas shown in Figure 1 for the drain hose connection. The hole should be smooth with no sharp edges.

## Installation Preparation

### PREPARE ELECTRICAL WIRING



### WARNING

**FOR PERSONAL SAFETY:** Remove house fuse or open circuit breaker before beginning installation. Do not use an extension cord or adapter plug with this appliance.

### ADVERTENCIA

**ADVERTENCIA PARA SEGURIDAD PERSONAL:** Quite el fusible o abra el interruptor de circuitos antes de comenzar la instalación. No utilice un cable de extensión o un enchufe adaptador con este artefacto.

#### Electrical Requirements

- This appliance must be supplied with 120V, 60Hz., and connected to an individual properly-grounded branch circuit, protected by a 15 or 20 ampere circuit breaker or time delay fuse.
- Wiring must be 2-wire with ground.
- If the electrical supply does not meet the above requirements, call a licensed electrician before proceeding.

#### Grounding Instructions—Cable Direct

This appliance must be connected to a grounded metal, permanent wiring system, or an equipment grounding conductor must be run with the circuit conductors and be connected to the equipment grounding terminal or lead on the appliance.



### WARNING

**The improper connection of the equipment grounding conductor can result in a risk of electric shock. Check with a qualified electrician or service representative if you are in doubt that the appliance is properly grounded.**

### ADVERTENCIA

**La conexión inadecuada del conductor de conexión a tierra del equipamiento puede provocar un riesgo de descarga eléctrica. Consulte a un electricista calificado o representante de servicio técnico si tiene dudas sobre la correcta conexión a tierra del aparato.**

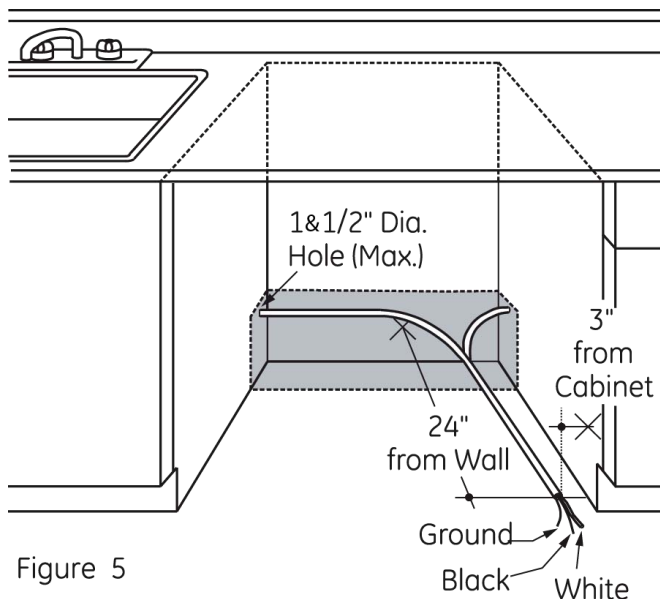


Figure 5

#### Cabinet Preparation & Wire Routing

- The wiring may enter the opening from either side, rear or the floor within the shaded area.
- Cut a 1 & 1/2" max dia. hole to admit the electrical cable. The hole must be free of sharp edges. If the cabinet wall is metal, the hole edge must be covered with a bushing.
- Cable direct connections may pass through the same hole as the drain hose and hot water line, if convenient. If cabinet wall is metal, the hole edge must be covered with a bushing.

#### Electrical Connection to Dishwasher

Electrical connection is on the right front of dishwasher.

- For cable direct connections the cable must be routed as shown in Figure 5. Cable must extend a minimum of 24" from the rear wall.

# Installation Instructions

## PREPARE HOT WATER LINE

- The line may enter from Either side, rear or floor within the shaded area shown in Figure 6.
- The line may pass through the same hole as the electrical cable and Drain hose. Or, cut an additional 1 & 1/2" dia. hole to accommodate the water line.

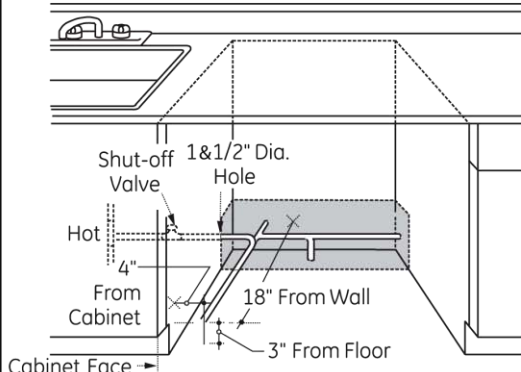


Figure 6

## Water Line Connection

- Turn off the water supply. Install a hand shut-off valve in an accessible location, such as under the sink. (Optional, but strongly recommended and may be required by local codes.)
- Water connection is on the left side of the dishwasher. Install the hot water inlet line, using no less than 3/8" O.D. copper tubing. Route the line as shown in Figure 6 and extend forward at least 18" from rear wall.
- Adjust water heater for 120°F to 150°F temperature.
- Flush water line to clean out debris.
- The hot water supply line pressure must be 20-120 PSI.

## STEP 1 – CHECK DOOR BALANCE

To check the door balance, hold the top of the dishwasher firmly.

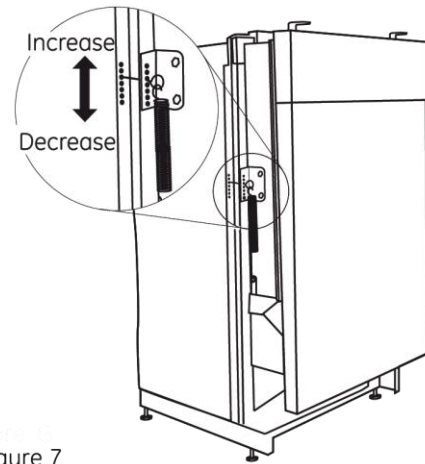


Figure 7

- Open the door slowly. If the door drops when released, increase spring tension. If the door closes when released, decrease tension.
- Pull the spring adjustment pin out of the holes, insert in the next highest or lowest hole and test again.
- Adjust both door springs to the same tension.
- Continue moving the spring pin until door is balance.

## ⚠ CAUTION:

Opening the door will cause the dishwasher to tip forward. **Do not open the door until you are ready to install the dishwasher.** If it is necessary to open the door, hold the top of the dishwasher securely with one hand and hold the door with the other hand.



## ⚠ PRECAUCIÓN:

Abrir la puerta hará que el lavaplatos se incline hacia adelante. No abra la puerta hasta que esté listo para instalar el lavaplatos. Si es necesario abrir la puerta, sostenga la parte superior del lavaplatos firmemente con una mano y sujete la puerta con la otra.

## Installation Instructions (Continued)

### STEP 2 – ADJUST LEVELING LEGS

- Move the dishwasher close to the installation location and lay it on its back.

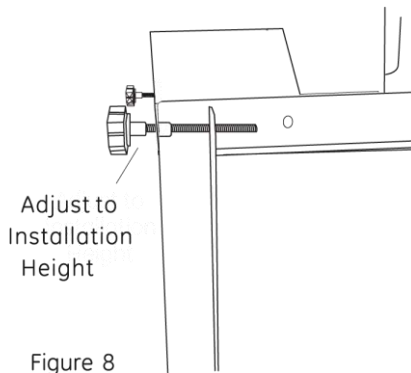


Figure 8

- Measure installation height and dishwasher height. Extend leveling legs out from the dishwasher base, 1/4" less than installation height.

### STEP 3 – INSTALL 90° ELBOW

- Wrap 90° elbow with thread seal tape.
- Install a 90° elbow onto the water valve.

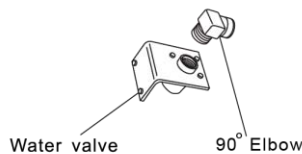


Figure 11

- Do not overtighten 90° elbow. Water valve bracket could bend or water valve fitting could break.

### STEP 4 – INSTALL POWER CORD

**Skip this step if dishwasher will be direct wired.**

The power cord and connections must comply with the National Electrical Code, Section 422 and/or local codes and ordinances.

Recommended power cord length is 54" min. and 64" max.

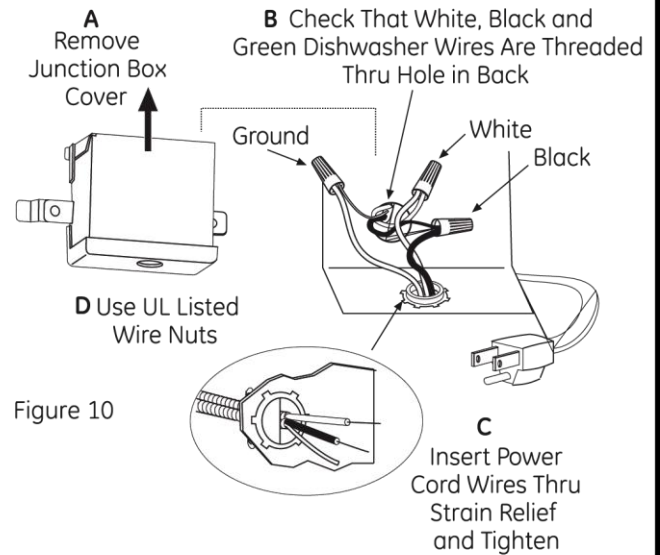


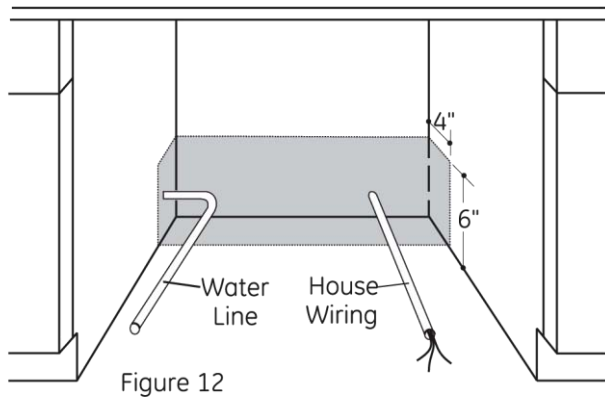
Figure 10

Connect incoming power cord white (or ribbed) to dishwasher white. Black (or smooth) to black. Ground to dishwasher green wire. Use UL listed wire nuts of appropriate size. Replace junction box cover. Be sure wires are not pinched under the cover.

## Installation Instructions (Continued)

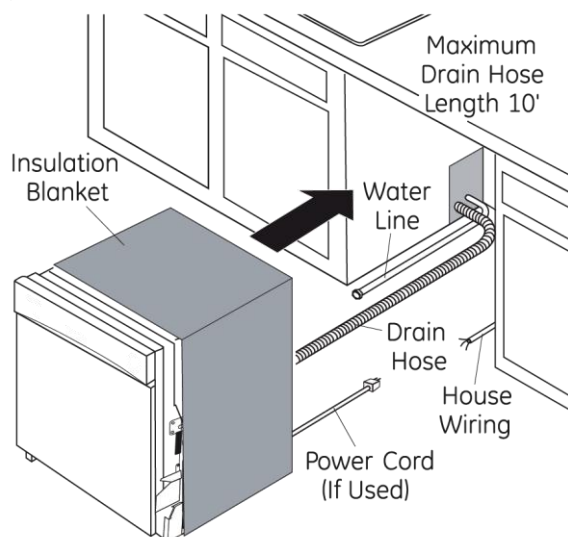
### STEP 5 – POSITION WATER LINE AND HOUSE WIRING

- Position water supply line and house wiring on the floor of the opening to avoid interference with base of dishwasher and components under dishwasher.



### STEP 6 – INSERT DRAIN HOSE THROUGH CABINET

- Upright the dishwasher and position in front of the opening. Insert drain hose into cabinet wall hole. If a power cord is used, guide the end through a separate hole.

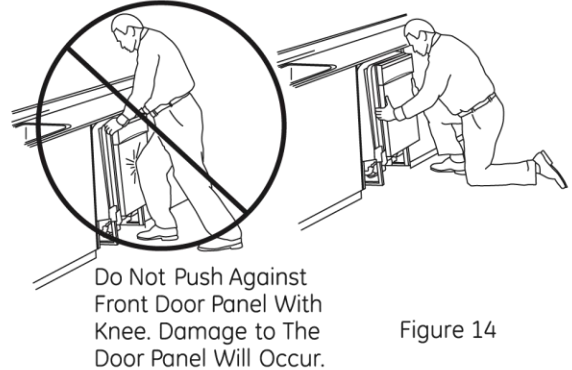


**TIP:** Position water line and house wiring on the floor to avoid interference with base of dishwasher.

### STEP 7 – SLIDE DISHWASHER PARTIALLY INTO CABINET

**DO NOT PUSH AGAINST FRONT PANEL WITH KNEES. DAMAGE WILL OCCUR.**

- Slide dishwasher into the opening a few inches at a time.



- As you proceed, pull the drain hose through the opening under the sink. Stop pushing when the dishwasher is a few inches forward of adjacent cabinetry.
- Make sure drain hose is not kinked under the dishwasher and there is no interference with the water line and wiring or any other component.

The shaded gray area to the left (STEP 6) shows the soundproofing insulation included with the unit to mitigate operating noise. Be sure to fasten the insulation securely to the unit before positioning unit in place.

## Installation Instructions (Continued)

### STEP 8 – POSITION DISHWASHER UNDER COUNTERTOP

- Check to be sure that wires are secure under the dishwasher and not pinched or in contact with door springs or other dishwasher components.

**TIP:** Check tub insulation blanket, if equipped. It should be positioned so it is not bunched up or interfering with door springs. Check by opening and closing the door.

- Dishwasher door should be flush with cabinet doors. Be careful not to dent front panel with knees or damage countertop or cabinets with dishwasher parts.



Do Not Push Against Front Door Panel With Knee. Damage to The Door Panel Will Occur.

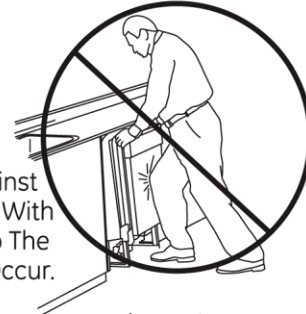


Figure 15

### STEP 9 – LEVEL DISHWASHER

**IMPORTANT** – Dishwasher Must be level for proper dish rack operation and wash performance.

Place level on door and rack track inside the tub as shown to check that the dishwasher is level.

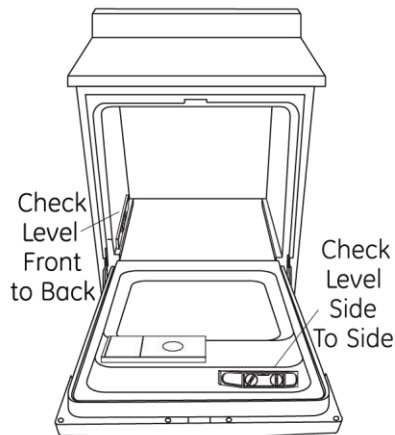
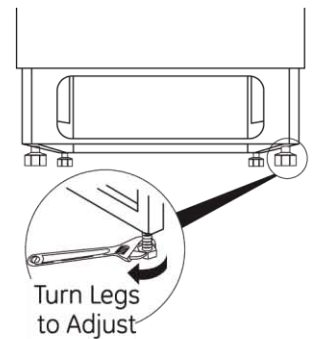


Figure 16

- Level the dishwasher by adjusting the four leveling legs individually.

Figure 17



**TIP:** Pull lower rack out about halfway. Check to be sure the rack does not roll forward or back into dishwasher. If the rack rolls in either direction, the dishwasher must be leveled again.

- If the door hits the tub, the dishwasher is not installed correctly. Adjust leveling legs to align door to tub.

## Installation Instructions (Continued)

### STEP 10 – SECURE DISHWASHER TO CABINET

The dishwasher must be secured to the countertop.

- Position the dishwasher so that the tub flange aligns with the front face of the cabinet frame.

**IMPORTANT** – Check to be sure the dishwasher is centered in the opening and there is no interference with adjacent cabinets when opening or closing the door.

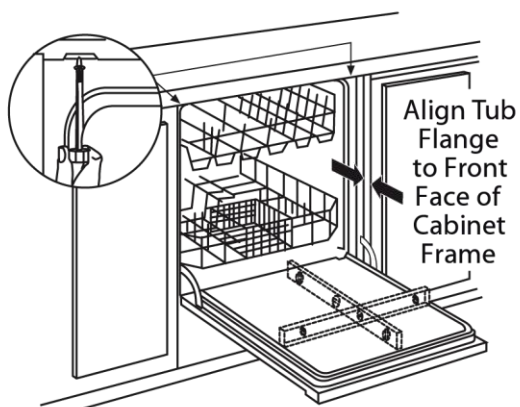


Figure 18

- Fasten the dishwasher to the underside of the countertop with the 2 Phillips screws provided.

**IMPORTANT** – Drive screws straight and flush. Protruding screw heads will scratch the top of the control panel and can interfere with door closing.

### STEP 11 – CONNECT WATER SUPPLY

Connect water supply line to 90° elbow.

- Slide compression nut, then ferrule over end of water line.
- Insert water line into 90° elbow.
- Slide ferrule against elbow and secure with compression nut.

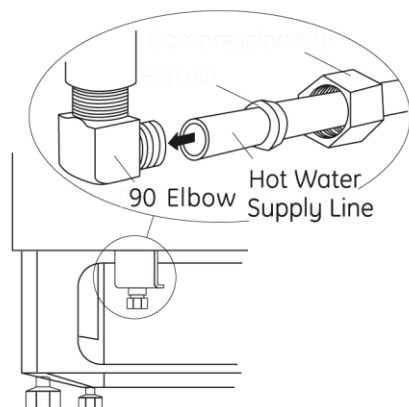


Figure 19

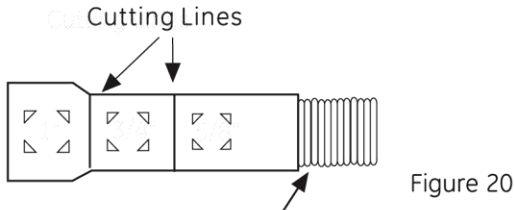
**IMPORTANT** – Check to be sure that door spring does not rub or contact the fill hose or water supply line. Test by opening and closing the door. Re-route the lines if a rubbing noise or interference occurs.

## Installation Instructions (Continued)

### STEP 12 – CONNECT DRAIN LINE

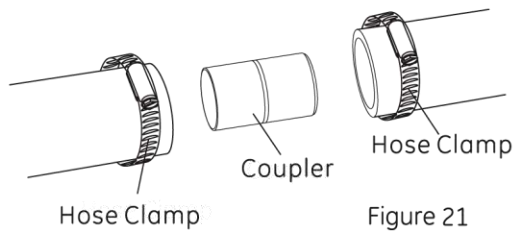
FOLLOW ALL LOCAL CODES AND ORDINANCES.

The drain hose molded end will fit 5/8", 3/4" or 1" diameter connections on the air gap, waste tee or disposer. Cut on the marked line as required for your installation.



**IMPORTANT: Do not cut corrugated portion of hose**

- If a longer drain hose is required, add up to 42" of length for a total of 10ft. to the factory installed hose. Use 5/8" or 7/8" inside diameter hose and a coupler to connect the two hose ends. Secure the connection with hose clamps.



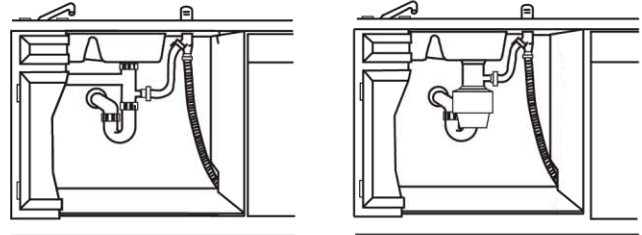
- Secure the drain hose to the air gap, waste tee or disposer with clamps.

**NOTE: TOTAL DRAIN HOSE LENGTH MUST NOT EXCEED 10 FEET FOR PROPER DRAIN OPERATION.**

### DRAIN LINE INSTALLATION

- Connect drain line to air gap, waste tee or disposer using either previously determined method.

#### Method 1- Air gap with waste tee or disposer

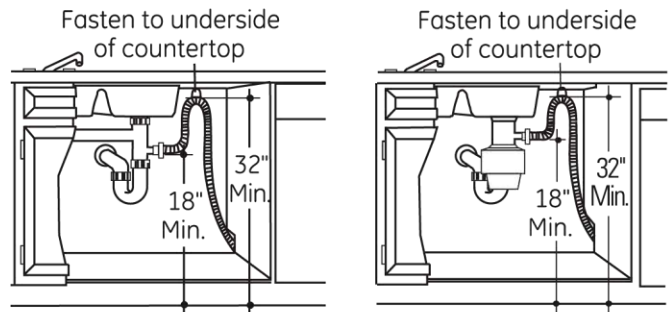


Waste Tee Installation

Disposer Installation

Figure 22

#### Method 2- High drain loop with waste tee or disposer



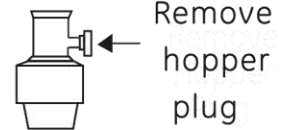
Waste Tee Installation

Disposer Installation

Figure 23

### **IMPORTANT -**

When connecting drain line to disposer, check to be sure that drain plug has been removed. **DISHWASHER WILL NOT DRAIN IF PLUG IS LEFT IN PLACE.**



**TIP:** Avoid unnecessary service call charges. Always be sure disposer drain plug has been removed before attaching dishwasher drain hose to the disposer.

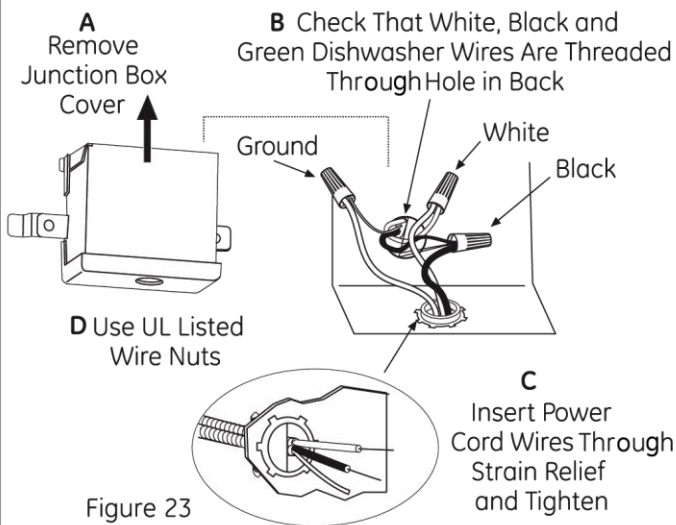


## Installation Instructions (Continued)

### STEP 13 – CONNECT POWER SUPPLY

Skip this step if equipped with power cord.  
Verify that power is turned off at the source.

- Remove junction box cover.
- Locate the three dishwasher wires, (white, black and green) with stripped ends. Insert dishwasher wires through the small hole in the Junction Box.
- Secure house wiring to the bottom of the junction box with a strain relief.
- Use wire nuts to connect incoming ground to green, white to white and black to black.
- Replace junction box cover. Check to be sure that wires are not pinched under the cover.



E. Replace Junction Box Cover



### WARNING

If house wiring is not 2-wire with ground, a ground must be provided by the installer. When house wiring is aluminum, be sure to use UL Listed anti-oxidant compound and aluminum to copper connectors

### STEP 14 – PRE-TEST CHECKLIST

Review this list after installing your dishwasher to avoid charges for a service call that is not covered by your warranty.

- Check to be sure power is OFF.
- Open door and remove all foam and paper packaging.
- Locate the Owner's Manual in the literature package.
- Read the Owner's Manual for operating instructions.
- Check door opening and closing. If door does not open and close freely or tends to fall, check spring adjustments. See Step 1.
- Check to be sure that wiring is secure under the dishwasher, not pinched or in contact with door springs or other components. See Step 9.
- Check door alignment with tub. If door hits tub, level dishwasher. See Step 10.
- Pull lower rack out about halfway. Check to be sure it does not roll backward or forward on the door. If the rack moves, adjust leveling legs. See Step 10.
- Check door alignment with cabinet. If door hits cabinet, reposition or relevel dishwasher. See Step 10.
- Verify water supply and drain lines are not kinked or in contact with other components. Contact with motor or dishwasher frame could cause noise. See Step 8.
- Turn on the sink hot water faucet and verify water temperature. Incoming water temperature must be between 120°F and 150°F. A Minimum of 120°F temperature is suggested for best wash performance. See "Prepare Hot Water Line."
- Add 2 quarts of water to the bottom of the dishwasher to lubricate the pump seal.
- Turn on water supply. Check for leaks. Tighten connections if needed.
- Remove protective film, if present, from the control panel and door.

## Installation Instructions (Continued)

### STEP 15 – DISHWASHER WET TEST

- Turn on power supply (or plug power cord into outlet, if equipped).
- Turn on Dishwasher.
- Select “Normal wash” program.
- Close the door. There will be a 5 second pause, followed by a 60 second pump-out.
- Check to be sure that water enters the dishwasher. If water does not enter the dishwasher, check to be sure that water and power are turned on.
- Check for leaks under the dishwasher. If a leak is found, turn power supply off, then tighten connections. Restore power after leak is corrected.
- Check for leaks around the door. A leak around the door could be caused by door rubbing or hitting against adjacent cabinetry. Reposition the dishwasher if necessary. See step 9.
- The dishwasher will drain about 12 minutes after the first fill. Check drain lines. If leaks are found, turn power off at the breaker and correct plumbing as necessary. Restore power after corrections are made. See Step 12.
- Open dishwasher door and make sure most of the water has drained. If not, check that disposer plug has been removed and/or air gap is not plugged. See Step 13. Also check the drain line for kinking.
- Run the dishwasher through another fill and drain cycle. Check for leaks and correct if required.

### STEP 16 – LITERATURE

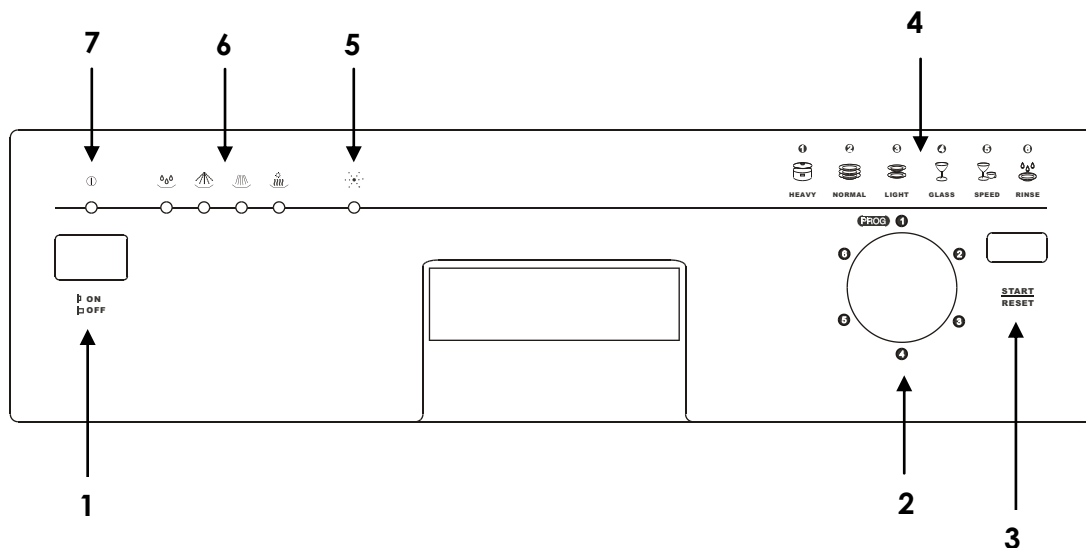
Be sure to leave this complete literature package and installation instructions with end user.





***NOTE: The manufacturer, following a policy of constant development and updating of the product, may make modifications without giving prior notice.***

# Operating Instructions







To get the best performance from your dishwasher, read all operating instructions prior to using it for the first time.

Throughout this manual, features and graphic depictions may vary from your model.



1. **Power Button:** Press to turn the unit ON/OFF.
2. **Washing Program Selector:** Rotate the knob to select the desired wash cycle.
3. **Start/Pause Button:** Press to START, PAUSE, and RESTART the dishwasher.
4. **Program Dial Reference:** Indicates what cycle is selected by the knob below.
5. **Rinse Aid Warning light:** Indicates when the rinse aid dispenser is low.
6. **Washing Phase indicator:** When the dishwasher is operating, this will indicate the phase of the wash cycle: Pre-wash  Wash  Rinse  Dry 
7. **Power Light:** Indicates when the ON/OFF Button has been pressed.

## Wash Cycle

Symbol	Wash Cycle	When Cycle Should be Used	Cycle Time	Water Usage (gal)	Description of Cycle	Detergent (pre/main)
	Heavy	For heavily soiled dishes or cookware with dried-on or baked-on soils. Everyday dishes may be included in this cycle. However, this cycle may not remove burnt-on foods.	130 min.	4.6 gal	Pre-wash Pre-wash (122°F) Wash (127°F) Rinse Rinse (150°F) Drying	18 grams
	Normal	For loads of everyday dishes, glasses and cookware with medium soils.	105 min.	3.2 gal	Pre-wash Wash (127°F) Rinse Rinse (150°F) Drying	18 grams
	Light	For lightly soiled plates, glasses, bowls and pans.	90 min.	3.7 gal	Pre-wash Wash (122°F) Rinse Rinse (140°F) Drying	18 grams
	Glass	For lightly soiled glasses, crystal and fine china.	75 min.	2.75 gal	Pre-wash Wash (122°F) Rinse (131°F) Drying	18 grams
	Speed	This is a shorter cycle for lightly soiled loads that do not need drying.	55 min.	2.75 gal	Pre-wash Wash (122°F) Rinse (131°F) Drying	18 grams
	Rinse	For rinsing partial loads that will be washed later. Do not use detergent with this wash cycle.	25 min.	1.9 gal	Pre-wash Pre-wash	

Note: The amount of detergent needed can vary due to differences in water hardness. The harder the water, the more detergent you may need. Adjust the amount of detergent you need by small amounts until you find the correct amount. Please contact your local water utility company if you have questions about the hardness of your water.

## Detergent Dispenser

The detergent dispenser must be refilled before the start of each wash cycle following the instructions provided in the "Wash Cycle" table on the previous page. This dishwasher uses less detergent and rinse aid than conventional dishwashers. Generally, only slightly more than one tablespoon of detergent is needed for a normal load of dishes. Add the detergent just before starting the dishwasher; otherwise, it could get damp and will not dissolve properly.

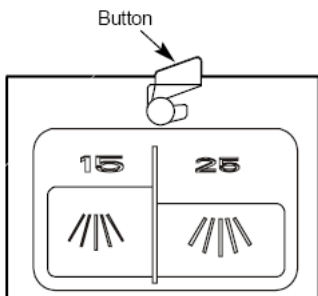
### Water Hardness

The amount of detergent to use depends on whether your water is hard or soft. With hard water, you need extra detergent to alleviate the deposits that are left by the excessive minerals. Less detergent is needed for soft water.

To identify whether your water is hard or soft, contact your water department. A water softener is recommended for water that contains twelve or more grains. Without it, lime can build up in the water valve, which could stick while open and cause flooding. Too much detergent with soft water can cause a permanent cloudiness of glassware, called etching.

For heavily soiled loads, use the *Heavy* wash cycle, fill one or both of the interior cups, depending on the hardness of your water, and also fill the open cup on the dispenser lid.

Use the information in the table below as a guideline to determine the amount of automatic dishwasher detergent to place in the dispenser:



Number of Grains	Detergent Cups to Fill
Less than 4	15 cup
4 to 8	25 cup
8 to 12	15 and 25 cups
Greater than 12	15, 25 cups and the open cup

### To open the wash cover:

Press the button and the cover will flip back revealing the detergent dispensing cups. See diagram to the left.

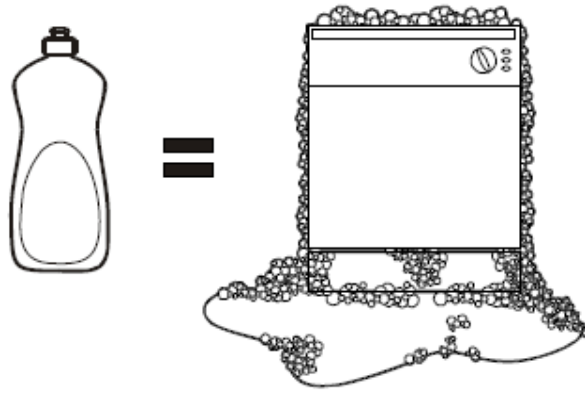
### Removing Hard Water Spots

To remove hard water spots, try the following:

- Run dishes through a normal wash program.
- Remove all metal dishware, such as cutlery, pans, etc. from the dishwasher.
- Do not add detergent.
- Pour two cups of vinegar into a bowl and set the bowl face-up on the lower rack of the dishwasher.
- Run the dishes through a normal wash program.

If this doesn't work, try the same process with  $\frac{1}{4}$  cup of citric acid crystals instead of vinegar.

**NOTE: DO NOT USE HAND DISH DETERGENT**



Using a detergent that is not specifically designed for dishwashers will cause the dishwasher to fill with suds. During operation, these suds will spill out of the dishwasher vents.

Since so many detergent containers look similar, store the dishwasher detergent in a separate space from all other cleaners. Show anyone who may use the dishwasher where the correct detergent is stored.

While there may be no lasting damage to the dishwasher by using dishwashing detergent that is not formulated to work with dishwashers, your dishes may not get fully clean.

---

### Jet-Dry Rinse Agent

Jet-Dry rinse agent removes spots and prevents new film build-up on your dishes, glasses, flatware, cookware and plastic.

#### Filling the Dispenser

The rinse agent dispenser holds 3.5 oz. of rinse agent. Your dishwasher is designed to use only liquid rinse aids. Under normal conditions, this will last approximately one month. Try to keep it full, but do not overfill.

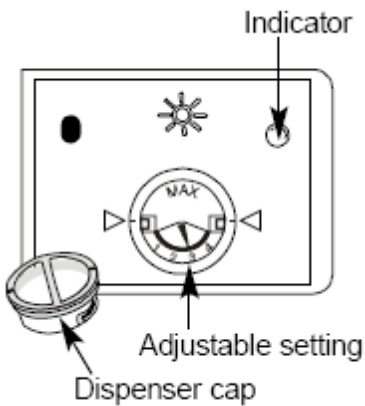
1. Make sure the dishwasher door is fully open.
2. Turn the dispenser cap to the left and lift it out.
3. Add rinse agent until the indicator window looks full (the level indicator will turn completely black).
4. Clean up any spilled rinse agent with a damp cloth.
5. Replace the dispenser cap.

#### Rinse Aid Setting

The amount of rinse agent released into the final wash can be adjusted. The factory setting is at the "2." If there are rings of calcium (hard water) spots on dishes, try a higher setting. Please note that too much rinse aid can result in cloudiness or streaks on your dishes.

#### To Adjust the Setting

Remove the dispenser cap. Then, turn the adjuster counterclockwise to increase the amount of rinse agent.

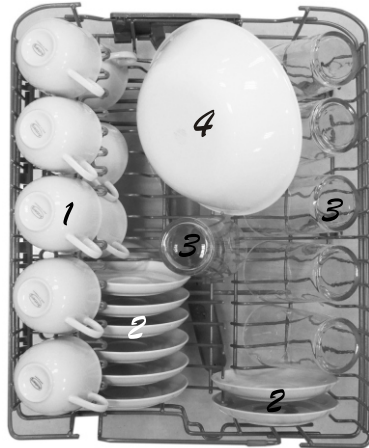


- Full
- 3/4 full
- 1/2 full
- 1/4 full - Should refill to eliminate spotting
- Empty

Note: Follow these guidelines for best results. Features and appearances may vary from your actual model.

## Loading Guidelines

The upper rack is designed to hold more delicate and lighter dishware such as glasses; coffee and tea cups; saucers; plates; small bowls and shallow pans (as long as they are not too dirty). Position the dishes and cookware so that they do not get moved by the spray of water. The upper rack can be adjusted for height by putting wheels of different height into the rails.



1. Cups
2. Saucers
3. Glasses

The lower rack is designed to hold larger items, as well as those that are most difficult to clean. These may include: pots; pans; lids; serving dishes and bowls. Pots, bowls, etc. should be placed slanted or face down to allow water to flow out.



4. Serving bowls
5. Fruit bowl
6. Bread and butter plates
7. Serving plate
8. Dinner plates
9. Silverware basket (see below for loading)

## Cutlery/Silverware Basket

Silverware should be placed in the cutlery basket with handles directed toward the bottom. If the rack has side baskets, spoons should be loaded individually into the appropriate slots. Knives and other sharp utensils should be placed in the basket with handles up. Longer utensils should be placed in the horizontal position on the cup shelf instead of in the basket.

Review the diagram below for proper utensil placement:



2	4	5	1
	4	5	1
2	4	5	1
<hr/>			
2	4	5	1
	4	5	1
2	4	5	4
<hr/>			
2	4	5	7
	3	5	
2	3	3	1
<hr/>			
2	3	3	1
	3	3	1
2	3	6	6

1. Salad forks
2. Teaspoons
3. Soup spoons
4. Dinner forks
5. Knife
6. Serving spoon
7. Serving fork

**Warning:** Do not let any item extend beyond the bottom of the basket.



**For personal safety and the highest quality wash, securely place all silverware in the basket:**

- Be sure that similar pieces of silverware do not nest together.
- Place most silverware with handles down.
- Place knives and other potentially dangerous utensils handles-up.



## Starting the Wash Cycle

Once the dishwasher is fully loaded, follow these procedures to start the wash cycle:

- Ensure that the unit is connected to the power supply.
- Ensure that the water supply is turned on to full pressure.
- Pour in the detergent. Also, ensure that there is adequate rinse aid.
- Press the ON/OFF switch to power the dishwasher on.
- Rotate the knob to the desired cycle. The wash cycle will be changed as following direction:  
**Heavy -> Normal -> Light -> Glass -> Speed -> Rinse**
- Press the START/PAUSE button. After 10 seconds, the program will start.

### NOTE:

When the START/PAUSE button is pressed during a wash cycle the cycle is suspended and the program light will stop blinking. Unless the START/PAUSE button is pressed to continue the cycle, an indicator beep will be heard every minute.

## Changing the Cycle

You can modify the wash cycle, but only if the dishwasher has been running for a short time. Otherwise, detergent may have already been released, and the appliance may have already drained the wash water. If this is the case, the detergent dispenser must be refilled. Holding the START/PAUSE button for three (3) seconds will cancel the current program.



**Opening the door during the wash cycle may result in injury from scalding hot water.**

### NOTE:

If the door is opened during the wash cycle, the machine will be paused. When the door is closed, **press the Start/Pause button then** the machine will restart after 10 seconds.

## Forget to Add a Dish?

A dish can be added any time before the detergent cup opens.

1. Press the START/PAUSE button.
2. Open the door slightly to stop the washing.
3. You can open the door completely after the spray arms stop spinning.
4. Add remaining dishes.
5. Close the door.
6. Press the START/PAUSE button.

The dishwasher will restart after 10 seconds.

**At the End of the Wash Cycle**

When the selected wash cycle has finished, the buzzer of the dishwasher will sound for 8 seconds. The wash cycle is completed when all phase indicating lights are off.

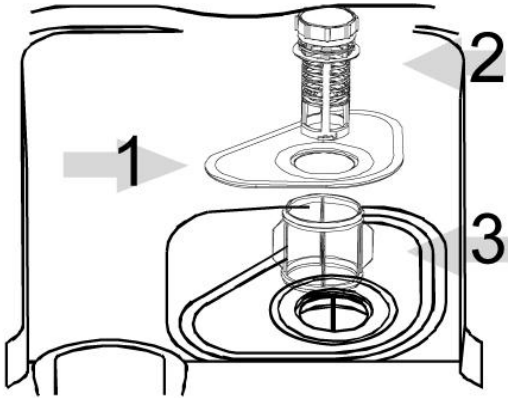
**Removing the Dishes**

When the wash cycle has finished, the dishwasher's buzzer will go off for eight (8) seconds, then stop. Slightly open the door and press the ON/OFF button. Allow dishes to cool for a few minutes before unloading the dishwasher to avoid handling dishes and utensils that are too hot and more susceptible to breakage. It is normal for the dishwasher to be wet inside.

## Maintenance

### Filter System

The filter system consists of a coarse filter, a main filter and a fine filter. For your convenience, we have placed the drain pump and filtering system within easy reach inside the tub.



#### 1. Main filter:

Food and soil particles trapped by this filter are pulverized by a special jet on the spray arm and washed down the drain.

#### 2. Coarse filter

Larger items, such as pieces of bone or glass, which could block the drain, are trapped in the coarse filter. To remove the items caught by the filter, gently squeeze the tap on the top of this filter and lift out.

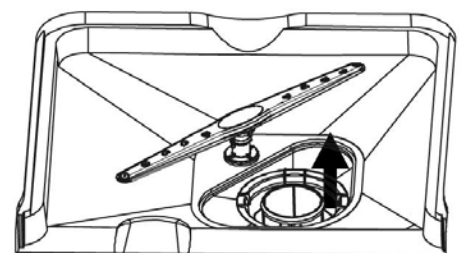
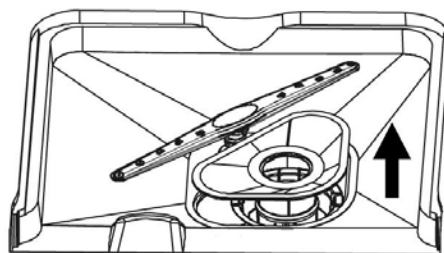
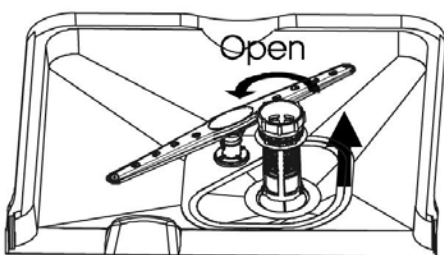
#### 3. Fine filter:

This filter holds soil and food residue in the cylindrical base and prevents the soil from being redeposited on the dishes during wash cycle.

The filter efficiently removes food particles from the wash water, allowing it to be recycled during the wash cycle.

For best performance and results, the filter assembly must be cleaned regularly. For this reason, it is a good idea to remove the larger food particles trapped in the filter after each wash cycle by rinsing the filter assembly under running water. Use a soft cleaning brush to clean the coarse filter and the fine filter. Reassemble the filter parts as shown in the following diagram and reinsert the entire assembly in the dishwasher, positioning it in its seat and pressing downward.

To remove the filter assembly, grab the handle of the fine filter, rotate it counter-clockwise, then pull upward.



1. Rotate the coarse filter counter-clockwise.
2. Lift the main filter up.
3. Lift the fine filter up.

**NOTE:** Reverse the steps above to install the filter system.

### Caring for Your Dishwasher

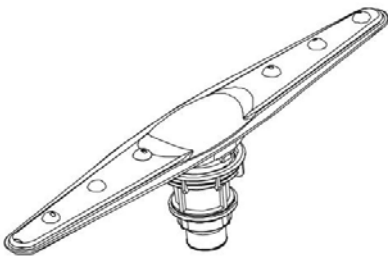
To clean the control panel, use a lightly dampened cloth, then dry thoroughly. To clean the exterior, use a good appliance polish wax.

Never use sharp objects, scouring pads or harsh cleaners on any part of the dishwasher.

### Protect Against Freezing

If your dishwasher is left in an unheated place during the winter, ask a service technician to:

1. Cut off electrical power to the dishwasher. Remove fuses or trip your circuit breaker.
2. Turn off the water supply and disconnect the water inlet pipe from the water valve.
3. Drain water from the inlet pipe and water valve (use a pan to catch the water).
4. Reconnect the water inlet pipe to the water valve.
5. Remove the plastic sump cover at the bottom of the tub and use a sponge to soak up water in rubber boot.



### Cleaning the Spray Arms

It is necessary to clean the spray arms regularly to avoid lime and other hard water deposits from clogging the spray arm jets and bearings.

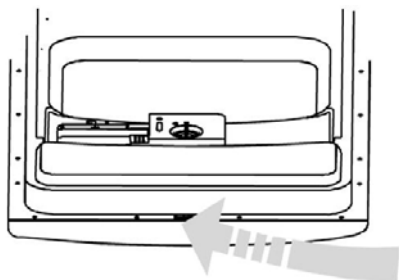
### Important



**Never run the dishwasher without the filters in place.**



**Improper replacement of the filter or damaged filters may reduce the performance level of the dishwasher and/or damage dishes and utensils.**



### **Cleaning the Door**

To clean the edge around the door, you should only use a soft warm, damp rag. To prevent penetration of water into the door lock and electrical components, do not use a spray cleaner of any kind. Also, never use abrasive cleansers or scouring pads on the outer surfaces because they will scratch the finish of the dishwasher. Some paper towels can also scratch or leave marks on the surface.

### **How to Keep Your Dishwasher in Shape**

- After every wash, leave the door slightly ajar to prevent moisture and odors from being trapped inside.
- Before cleaning or performing maintenance, always cut power off to the unit. This is for your personal safety.
- Do not use solvents or abrasive cleaning products to clean the exterior and rubber parts of the dishwasher; use only a cloth and warm soapy water. To remove spots or stains from the surface of the interior, use a cloth dampened with water and a little vinegar, or a cleaning product made specifically for dishwashers.
- When you go on vacation, it is recommended that you run a wash cycle with the dishwasher empty and then cut power to the unit. Also, turn off the water supply and leave the door of the dishwasher slightly ajar. This will help the seals last longer and prevent odors from forming within the appliance.
- If the appliance must be moved, try to keep it in the vertical position. If absolutely necessary, it can be positioned on its back.
- One factor that causes odors to form in the dishwasher is food that remains trapped in the seals. Periodic cleaning with a damp sponge will prevent this from occurring.

## Troubleshooting

Follow the troubleshooting guide below to resolve common issues.

<b>Issue</b>	<b>Possible Cause</b>	<b>Solution</b>
Dishwasher does not start	Fuse is blown or circuit breaker is tripped	Replace fuse or reset circuit breaker. Remove any other appliances sharing the same circuit with the dishwasher.
	Power Supply is not turned on	Ensure the dishwasher is turned on and the door is closed securely. If applicable, make sure the power cord is properly plugged into the wall socket.
	Dishwasher door is not properly closed	Close dishwasher, ensuring that the door latches.
Water not pumped from dishwasher	Kink in drain hose	Check drain hose
	Filter clogged	Check coarse filter
	Improper detergent	Use only the specified detergent. If improper detergent was used, open the dishwasher allowing suds to evaporate. Add 1 gal. of cold water to the tub. Close and latch the door. Start the "Rinse" wash cycle to drain the water. Repeat if necessary.
Suds in tub	Spilled rinse aid	Always clean up rinse aid spills immediately.
	Detergent used contained colorant	Do not use detergents with colorants.
Stained tub interior	Hard water minerals	While wearing rubber gloves, use a damp sponge to clean the interior with dishwasher detergent. Never use any other cleaner to clean dishwasher.
White film on dishwasher interior surface	Items are not non-corrosive.	Do not place non-dishwasher safe items in dishwasher.

<b>Issue</b>	<b>Possible Cause</b>	<b>Solution</b>
Knocking noise inside of dishwasher	The spray arm is knocking against an item in the dish rack.	Pause the wash cycle and rearrange the items which are obstructing the movement of the spray arm.
Rattling noise inside of dishwasher	Item is not securely placed in dish rack.	Pause the wash cycle and secure the items in the dish rack.
Knocking noise in water pipes	Pipe cross-section may have problems.	Contact a plumber. This is not related to the dishwasher.
Dishes are not cleaned	Dishes were not loaded properly.	See notes in loading the dishwasher.
	The wash cycle was not powerful enough.	Select a more intensive wash cycle.
	Not enough detergent was dispensed.	Use more or change brand of detergent.
	Items are blocking the path of the spray arms.	Rearrange the items so the spray arms can fully rotate.
	The filter combination in the base of the dishwasher is not clean or is installed incorrectly.	Clean and/or install the filter combination correctly.
Cloudiness on glassware	Combination of too much detergent with soft water.	Use less detergent and/or select the shortest wash cycle to clean glassware.
	The filter may be dusty or blocked	Clean the filter and replace it if needed.
Black or gray marks on dishes	Utensils may have rubbed against dishes.	Use a mild abrasive cleaner to eliminate marks. Load carefully.
Detergent left in dispenser cup	Dishes are blocking detergent cups	Re-load dishwasher according to instructions.
The dishes are not dry	Improper Loading	Re-load dishwasher according to instructions.
	Not enough rinse aid	Refill and/or increase the amount of rinse aid.
	Dishes are removed too soon	Do not remove dishes from dishwasher immediately.
	Wrong cycle selected	Short cycles have lower cleaning performance. Choose a more intensive cycle.
	Cutlery has a low-quality coating	Dishwasher is not suitable for low-quality coating.

## Specifications

Description of product	Built-In Dishwasher
Model	BIDW1801SS, BIDW1801W, BIDW1801BL
Capacity	8 Standard Place Settings
Voltage/Frequency	120V, 60Hz
Power	1130 Watts
Current	1.0 Amps
Heater Current	8.2 Amps
Color	BIDW1801SS: Stainless Steel BIDW1801W: White BIDW1801BL: Black
Dimensions W x D x H	18" x 22" x 32.5"
Net Weight	BIDW1801SS: 57.3 lbs. BIDW1801W: 55 lbs. BIDW1801BL: 55 lbs.



This product is warranted by EdgeStar and is subject to any conditions set forth as follows:

**WHAT IS COVERED:**

For a period of ONE (1) YEAR from the date of original retail purchase, EdgeStar will repair or replace any part free of charge including labor that fails due to a defect in materials or workmanship. Labor will be performed free of charge at an authorized EdgeStar repair facility and EdgeStar will supply new, rebuilt, or refurbished parts free of charge. EdgeStar may request a defective part be returned in exchange for the replacement part. All replacement parts or products will be new, remanufactured, or refurbished. All products and parts replaced by EdgeStar under warranty service become the property of EdgeStar. After the 12 month period, EdgeStar will no longer be responsible for labor charges incurred or replacement parts. All defective products and parts covered by this warranty will be repaired or replaced on a mail-in basis to an EdgeStar authorized repair facility.

This warranty applies to the original purchaser only, and only covers defects in workmanship experienced during operation of the product under normal service, maintenance, and usage conditions. This warranty applies to the purchase and use of this product in residential settings within the United States of America.

**Exceptions: Commercial or Rental Use Warranty**

90 days labor and parts from date of original purchase. No other warranty applies.

**WHAT IS NOT COVERED- The following limitations apply to the coverage of this warranty. This warranty does not cover:**

- Labor charges for installation, setup or training to use the product.
- Shipping damage, and any damage caused by improper packaging for shipment to an authorized service center, and any damaged caused by improper voltage or any other misuse, including abnormal service, handling, or usage.
- Cosmetic damage such as scratches and dents.
- Normal wear and tear on parts or replacement of parts designed to be replaced, e.g. filters, cartridges, batteries.
- Service trips to deliver, pick-up, or repair, install the product, or to instruct in proper usage of the product.
- Damages or operating problems resulting from misuse, abuse, operation outside environmental specifications, uses contrary to instructions provided in the owner's manual, accidents, acts of God, vermin, fire, flood, improper installation, unauthorized service, maintenance negligence, unauthorized installation or modification, or commercial use.
- Labor, service transportation, and shipping charges for the removal and replacement of defective parts, beyond the initial 12 month period.
- Products that have been modified to perform outside of specifications without the prior written permission of EdgeStar.
- Products lost in shipment, or theft.
- Products sold AS IS or from an unauthorized reseller.
- Products that have had their serial numbers removed, defaced, or with serial numbers that have been invalidated.
- Damage from other than normal household use.
- Replacement or repair of household fuses, circuit breakers, wiring or plumbing.
- Damage to personal property from use of product.
- Damage from service other than from an authorized EdgeStar repair facility.
- Hoses, knobs, lint trays and all attachments, accessories and disposable parts.
- Any service charges not specifically identified as normal such as normal service area or hours.
- Any special or consequential damages arising out of the use of the product.

**OBTAINING WARRANTY SERVICE:** If you believe your product is defective, contact EdgeStar Customer Support for troubleshooting assistance and warranty service at [www.edgestar.com](http://www.edgestar.com) or call 1-866-319-5473. Before contacting Customer Support you are required to have your model number, serial number and proof of purchase available upon request. Once an EdgeStar authorized representative has confirmed that your product is defective and eligible for warranty service, the product must be returned to an EdgeStar authorized repair facility. EdgeStar is not responsible for damage resulting from shipper mishandling or improper packaging. Do not return a defective product to the place of purchase. Products received without a return authorization number will be refused.

THIS WARRANTY IS IN LIEU OF ANY OTHER WARRANTY, EXPRESS OR IMPLIED, INCLUDING WITHOUT LIMITATION, ANY WARRANTY OF MERCHANTABILITY OR FITNESS FOR A PARTICULAR PURPOSE. TO THE EXTENT ANY IMPLIED WARRANTY IS REQUIRED BY LAW, IT IS LIMITED IN DURATION TO THE EXPRESS WARRANTY PERIOD ABOVE. NEITHER THE MANUFACTURER NOR ITS DISTRIBUTORS SHALL BE LIABLE FOR ANY INCIDENTAL, CONSEQUENTIAL, INDIRECT, SPECIAL, OR PUNITIVE DAMAGES OF ANY NATURE, INCLUDING WITHOUT LIMITATION, LOST REVENUES OR PROFITS, OR ANY OTHER DAMAGE WHETHER BASED IN CONTRACT, TORT, OR OTHERWISE. SOME STATES DO NOT ALLOW THE EXCLUSION OF INCIDENTAL OR CONSEQUENTIAL DAMAGES, SO THE ABOVE EXCLUSION MAY NOT APPLY TO YOU. THIS WARRANTY GIVES YOU SPECIFIC LEGAL RIGHTS. YOU MAY HAVE OTHER RIGHTS THAT VARY FROM STATE TO STATE.

# EDGESTAR<sup>®</sup>

EdgeStar Products  
500 N. Capital of TX Hwy, Bldg 5  
Austin, TX 78746

Toll Free: 1-866-319-5473  
Web: <http://www.edgestar.com>  
E-mail: [service@edgestar.com](mailto:service@edgestar.com)

Register your product, download owner's manuals, access additional troubleshooting resources, and obtain more information on other great EdgeStar products on the web at: **<http://www.edgestar.com>**

Product contents and specifications may change without notice.

Copyright © 2016 Living Direct, Inc. All rights reserved.