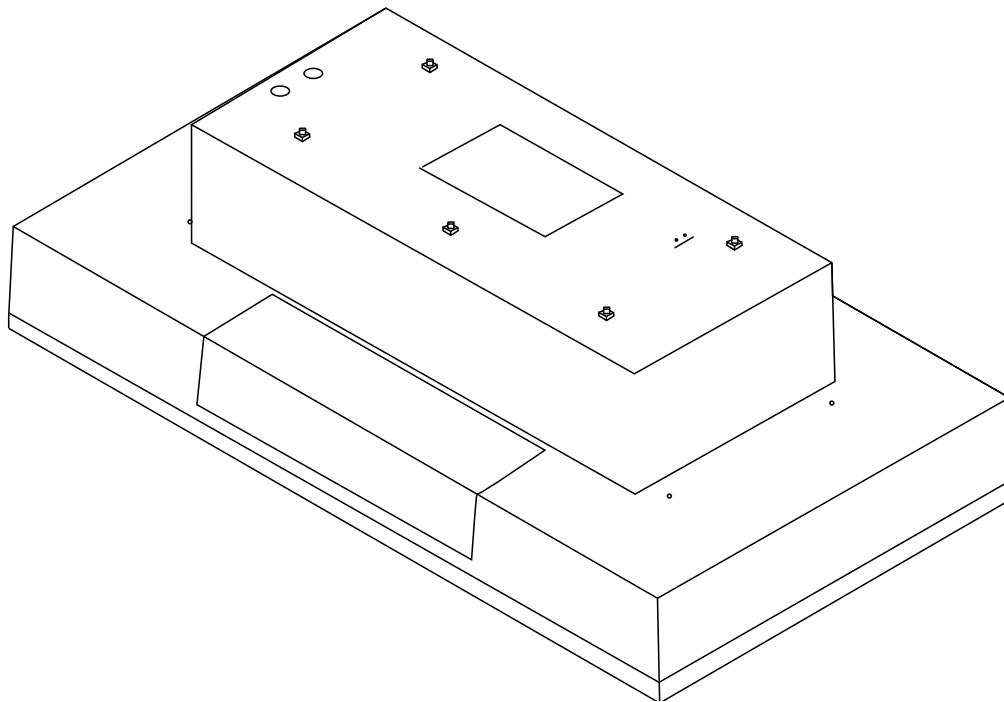


## Range Hood Insert

Models: ARHI28PAA, ARHI34PAA, ARHI40PAA, ARHI46PAA



**Owner's Manual, Install Guide, Operation and Maintenance Manual**

## Important Safety Information

Improper handling can cause serious damage to the Avallon range hood and / or injury to the user. This range hood is designed for domestic indoor use only. Do not use the unit for industrial or commercial use. Any other use may invalidate the warranty. Please review the rating label located inside the hood under the baffles for electrical and other technical data related to this unit. Please read and follow the safety information listed below to reduce the risk of fire, electric shock, or injury.

**IMPORTANT:** Save these Instructions for the Local Electrical Inspector's use.

**INSTALLER:** Please leave these Instructions with this unit for the owner.

**OWNER:** Please retain these instructions for future reference.

### General Safety

**WARNING:** TO REDUCE THE RISK OF FIRE, ELECTRIC SHOCK, OR INJURY TO PERSONS, OBSERVE THE FOLLOWING:

- Use this unit only in the manner intended by the manufacturer. If you have questions, contact the manufacturer.
- Before servicing or cleaning unit, switch power off at service panel and lock the service disconnecting means to prevent power from being switched on accidentally. When the service disconnecting means cannot be locked, securely fasten a prominent warning device, such as a tag, to the service panel.

**CAUTION:** FOR GENERAL VENTILATING USE ONLY. DO NOT USE TO EXHAUST HAZARDOUS OR EXPLOSIVE MATERIALS AND VAPOURS.

**WARNING:** TO REDUCE THE RISK OF FIRE OR ELECTRICAL SHOCK, DO NOT USE THIS FAN WITH ANY SOLID-STATE SPEED CONTROL DEVICE.

**WARNING:** TO REDUCE THE RISK OF A RANGE TOP GREASE FIRE:

- Never leave surface units unattended at high settings. Boilovers cause smoking and greasy spillovers that may ignite. Heat oils slowly on low or medium settings.
- Always turn hood ON when cooking at high heat or when flambeing food (I.e. Crepes Suzette, Cherries Jubilee, Peppercorn Beef Flambe').
- Clean ventilating fans frequently. Grease should not be allowed to accumulate on fan or filter.
- Use proper pan size. Always use cookware appropriate for the size of the surface element.

**WARNING:** TO REDUCE THE RISK OF INJURY TO PERSONS IN THE EVENT OF A RANGE TOP GREASE FIRE, OBSERVE THE FOLLOWING:

- Smother flames with a close-fitting lid, cookie sheet, or other metal tray, then turn off the gas burner or the electric element. Be careful to prevent burns. If the flames do not go out immediately, evacuate and call the fire department.
- Never pick up a flaming pan - you may be burned.
- Do not use water, including wet dishcloths or towels - a violent steam explosion will result.
- Use an extinguisher ONLY if:
  - You know you have a class ABC extinguisher, and you already know how to operate it.
  - The fire is small and contained in the area where it started.
  - The fire department is being called.
  - You can fight the fire with your back to an exit.

- This appliance is not intended for use by persons (including children) with reduced physical, sensory or mental capabilities, or lack of experience and knowledge, unless they have been given supervision or instruction concerning use of the appliance by a person responsible for their safety.
- Children should be supervised to ensure that they do not play with the appliance.
- Do not remove safety grilles or filters. They protect hair and extremities from being caught in the blowers.
- Wear gloves to remove from packaging. There are sharp edges on the range hood.
- Do not remove protective film from duct covers before installing.
- Ducted fans must always be vented to the outdoor.

## Installation Safety

**WARNING:** TO REDUCE THE RISK OF FIRE, ELECTRIC SHOCK, OR INJURY TO PERSONS, OBSERVE THE FOLLOWING:

- Installation work and electrical wiring must be done by qualified person(s) in accordance with all applicable codes and standards, including fire-rated construction.
- Sufficient air is needed for proper combustion and exhausting of gases through the flue (chimney) of fuel burning equipment to prevent back drafting. Follow the heating equipment manufacturer's guideline and safety standards such as those published by the National Fire Protection Association (NFPA), and the American Society for Heating, Refrigeration and Air Conditioning Engineers (ASHRAE), and the local code authorities.
- When cutting or drilling into wall or ceiling, do not damage electrical wiring and other hidden utilities.
- Ducted fans must always be vented to the outdoors.

**WARNING:** TO REDUCE THE RISK OF FIRE, USE ONLY METAL DUCTWORK.

**CAUTION:** TO REDUCE RISK OF FIRE AND TO PROPERLY EXHAUST AIR, BE SURE TO DUCT AIR OUTSIDE - DO NOT VENT EXHAUST AIR INTO SPACES WITHIN WALLS OR CEILINGS, ATTICS OR INTO CRAWL SPACES, OR GARAGES.

**CAUTION:** TO REDUCE THE RISK OF FIRE AND ELECTRIC SHOCK, INSTALL THIS RANGEHOOD ONLY WITH REMOTE BLOWER MODELS RATED MAXIMUM (7.7 A /926 W) OR INTEGRAL BLOWERS MANUFACTURED BY (ELICA), MODEL(S) (AKEB00PAA, AKIB00PAA). NOTE: (7.7 A /926 W.)

**CAUTION:** TO REDUCE RISK OF FIRE AND TO PROPERLY EXHAUST AIR, BE SURE TO DUCT AIR OUTSIDE – DO NOT VENT EXHAUST AIR INTO SPACES WITHIN WALLS OR CEILINGS OR INTO ATTICS, CRAWL SPACES, OR GARAGES.

- Always wear work gloves for all installation and maintenance operations.
- If provided with an electrical plug, connect the hood to a receptacle that complies with current regulations and placed in an accessible position. Where an electrical plug is not provided (direct connection to electrical network) or the plug will not be in an accessible position after installation, place an approved bipolar switch in accessible position that provides full disconnection under overvoltage category III conditions, in accordance with local wiring rules.



## Electrical Safety

- Before servicing or cleaning the unit, switch power off at the service panel and lock the service panel, to prevent power from being switched on accidentally. When the service disconnecting means cannot be locked, securely fasten a prominent warning device, such as a tag, to the service panel.
- This appliance requires a 120 V<sup>~</sup>, 60 Hz electrical supply and connection to an individual branch circuit protected by a 15 or 20 ampere circuit breaker or time delay fuse. Wiring must be 2-wire with ground. Please also refer to the Electrical Diagram on the product.
- Assure that the electrical installation is adequate and in conformance with National Electrical Code, ANSI/NFPA 70 latest edition\* or CSA standards C22.1-94, Canadian Electrical Code, Part 1 and C22.2 No.0-M91 - latest edition\*\* and all local codes and ordinances.
- Check with a qualified electrician if you are not sure the range hood is properly grounded. If codes permit and a separate ground wire is used, it is recommended that a qualified electrician determine that the ground path is adequate.
  - Do not ground to a gas pipe.
  - Do not have a fuse in the neutral or ground circuit.
- The range hood must be connected with copper wire only.
- The range hood should be connected directly to the fused disconnect (Or circuit breaker) box through metal electrical conduit.
- Wire sizes must conform to the requirements of the National Electrical Code ANSI/NFPA 70 — latest edition\*, or CSA Standards C22.1-94, Canadian Electrical Code Part 1 and C22.2 No. 0-M91 - latest edition\*\* and all local codes and ordinances.
- A U.L.- or C.S.A.-listed conduit connector must be provided at each end of the power supply conduit (at the range hood and at the junction box).

# Table of Contents

Important Safety Information.....	2
Introduction.....	5
Parts Identification .....	6
Dimensions .....	7
Accessories.....	8
Optional Accessories .....	8
Installation Requirements & Preparation.....	9
Installation Requirements.....	9
Installation Preparation .....	10
Venting Options .....	10
Determining Insert Height.....	10
Clearances .....	11
Installation Steps .....	12
STEP 1. Prepare to Mount the Hood into Cabinet.....	12
STEP 2. Install the Vent Transition .....	14
STEP 3. Prepare to Connect the Electrical Supply .....	14
STEP 4. Install the Hood into the Cabinet.....	15
STEP 5. Connect the Electrical Supply .....	15
STEP 6. Complete Installation.....	16
Operation .....	17
Controls.....	17
Recessed Knobs .....	17
Operating the lamps .....	17
Operating the blower .....	17
Auto On Blower.....	17
Cleaning & Maintenance .....	18
Cleaning the Stainless Steel Hood .....	18
Cleaning the Filters.....	18
Replacing a LED Lamp .....	19
Product Warranty.....	20

## Introduction

Thank you for purchasing this range hood insert. We hope that this purchase will be the beginning of a lasting and rewarding relationship between you and Avallon. We will provide the customer support and exemplary products necessary to nurture that relationship.

This manual contains important information regarding the proper installation, use, and maintenance of your range hood insert. Following this manual will ensure that your product will work at its peak performance and efficiency.

Please save the original product packaging in case you need to safely transport your range hood.

For Your Records:

Please write down the model number and serial number below for future reference. Both numbers are located inside the insert and are needed to obtain warranty service. You may also want to staple your receipt to this manual as it is the proof of your purchase, and is also needed for service under your warranty.

Model Number: \_\_\_\_\_

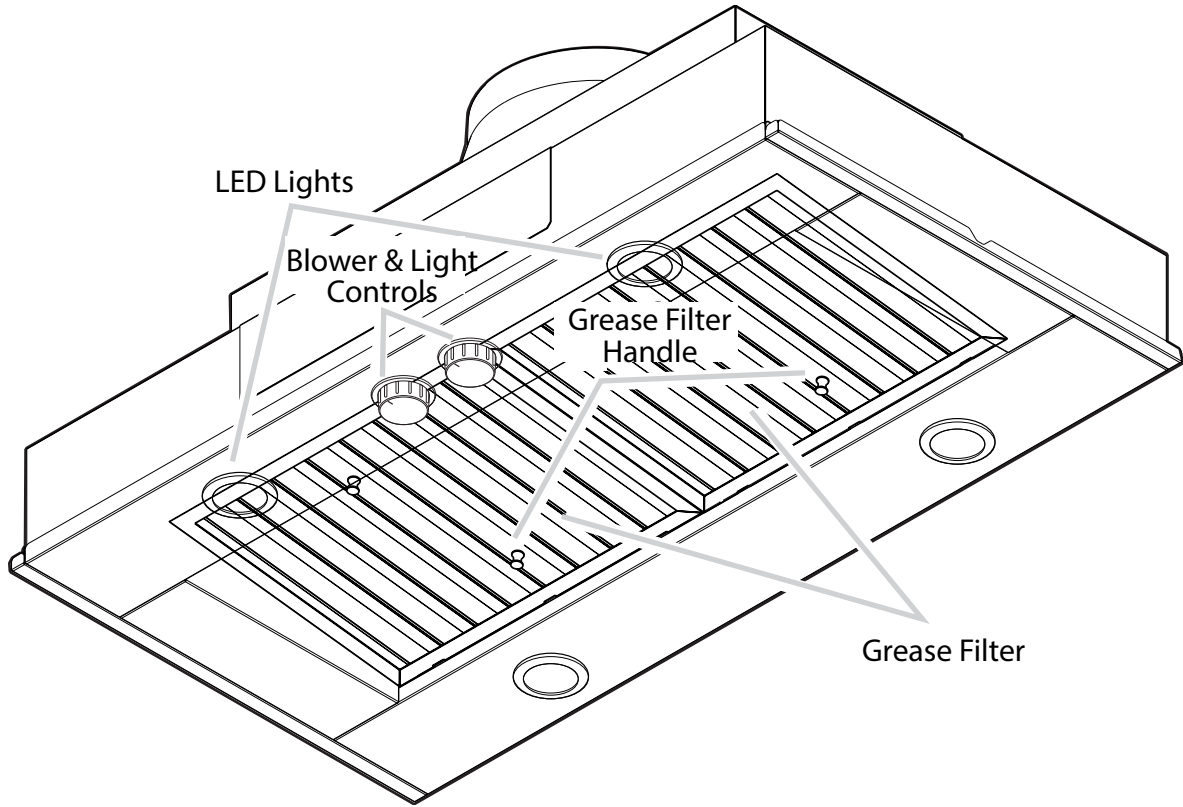
Serial Number: \_\_\_\_\_

Date of Purchase: \_\_\_\_\_

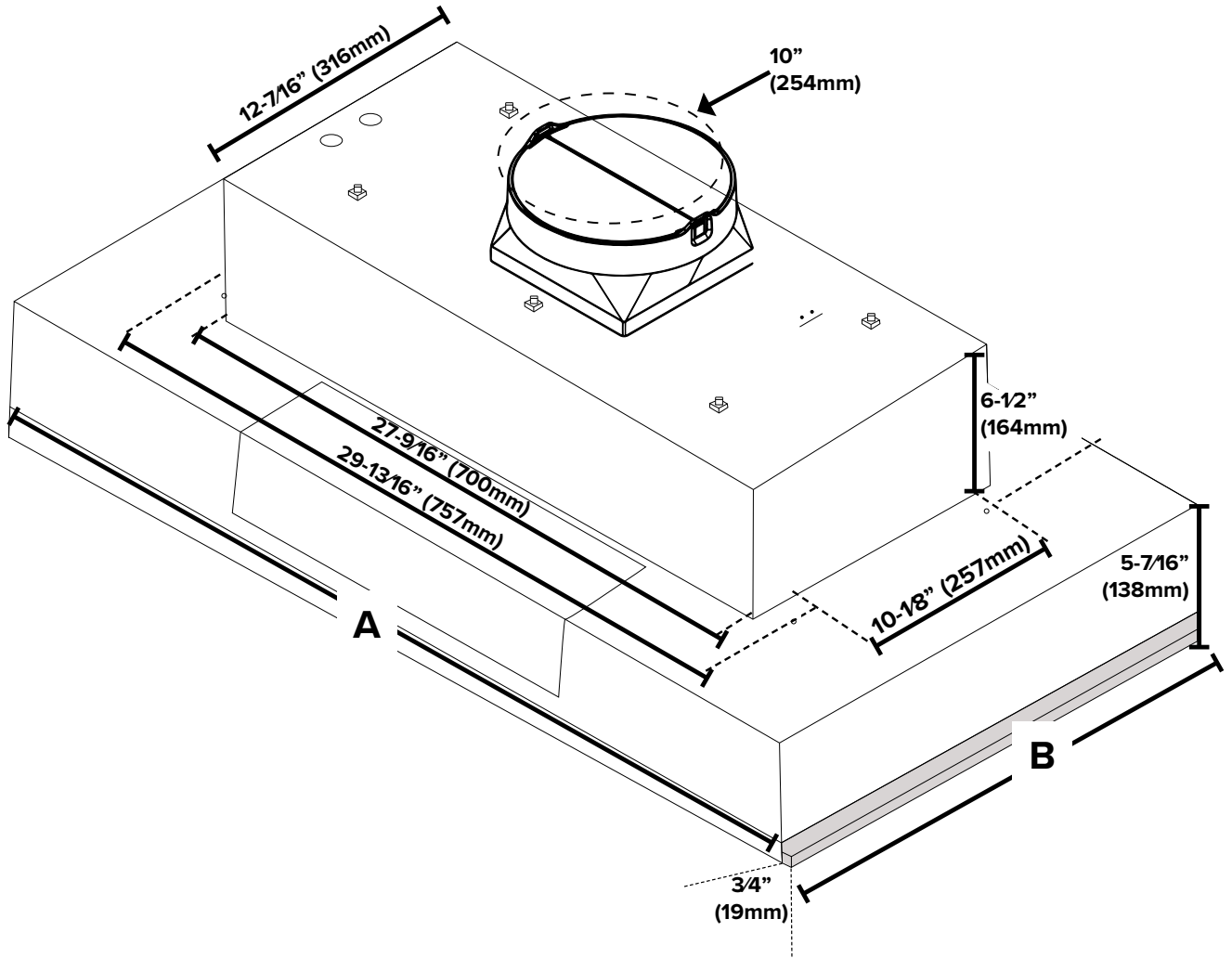
For a more efficient experience, please do the following before contacting customer service:

- If you received a damaged product, immediately contact the retailer or dealer that sold you the product.
- Read and follow this instruction manual carefully to help you install, use, and maintain your refrigerator.
- Read the troubleshooting section of this manual as it will help you diagnose and solve common issues.
- Visit us on the web at [www.avallon.com](http://www.avallon.com) to register your product, download product guides, and access additional troubleshooting resources and up-to-date information.
- If you need warranty service, customer service representatives are available via email at [service@avallon.com](mailto:service@avallon.com).

# Parts Identification



# Dimensions



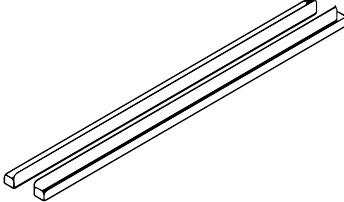
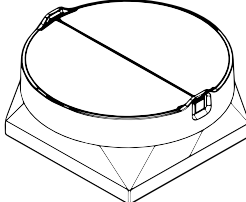

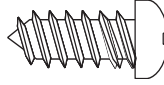
MODEL	A-DIMENSION	B-DIMENSION
ARHI28PAA	28-1/2" (724mm)	22" (559mm)
ARHI34PAA	34-1/2" (876mm)	22" (559mm)
ARHI40PAA	40-1/2" (1030mm)	22" (559mm)
ARHI46PAA	46-1/2" (1180mm)	22" (559mm)



## Accessories

### Included Installation Accessories

The Range Hood system comes with the following accessories.

ACCESSORY	IMAGE	QTY	ACCESSORY	IMAGE	QTY
Side Spacers		2	10" Round Air Transition		1
5x45mm Screw		4	4 x 8mm Screw		10

### Optional Accessories

ACCESSORY	PART #
CMF REDUCTION BYPASS KIT	CFMBK600A/CFMBK1200A

### Field Supplied Installation Accessories

The following installation accessories are required and must be purchased separately.

- Home power supply cable
- 1-1/2" (12.7mm) UL listed or CSA approved strain relief
- Three (3) UL listed wire connectors
- One (1) wall or roof cap
- Metal vent system

## Tools Needed

The following tools are required for installation.

- Level
- Drill
- Drill bits - 1-1/4" (31.8mm) - 1/8" (3.2mm)
- Pencil
- Wire stripper or utility knife
- Tape measure or ruler
- Pliers
- Caulking gun and weatherproof caulking compound
- Vent clamps
- Jigsaw or keyhole saw
- Metal snips
- Screwdrivers - Flathead -Phillips

## Installation Requirements & Preparation

Installation work and electrical wiring must be done by qualified person(s) in accordance with all applicable codes & standards, including fire-rated construction. See Electrical Safety in the beginning of this manual.

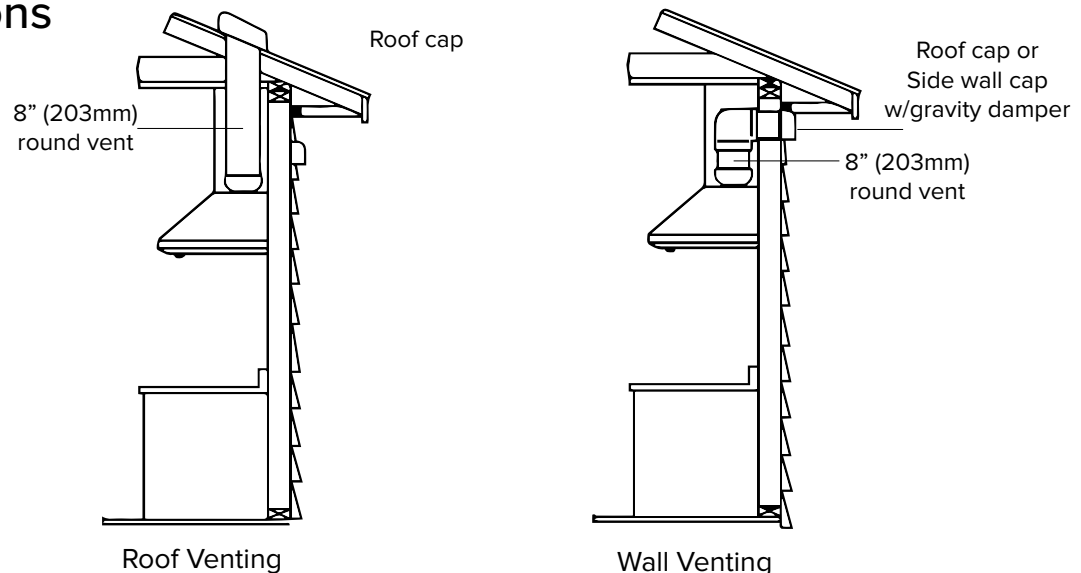
### Installation Requirements

- At least two people are necessary for installation.
- For the most efficient air flow exhaust, use a straight run or as few elbows as possible. If turns or transitions are required; install as far away from hood duct output and as far apart, between the two as possible.
- Always use rigid type metal ducts only. Flexible ducts could restrict air flow by up to 50%.
- COLD WEATHER installations should have an additional backdraft damper installed to minimize backward cold air flow and a nonmetallic thermal break to minimize conduction of outside temperatures as part of the ductwork. The damper should be on the cold air side of the thermal break. The break should be as close as possible to where the ducting enters the heated portion of the house.
- Make up air: Local building codes may require the use of Make-Up Air Systems when using Ducted Ventilation Systems greater than specified CFM of air movement. The specified CFM varies from locale to locale. Consult your HVAC professional for specific requirements in your area.
- See "Installation Safety" in the beginning of this manual.

## Installation Preparation

- Determine which venting system to use: roof or wall.  
It is recommended to install the vent system before the range hood insert.
- Before making cutouts, make sure there is proper clearance within the ceiling or wall for the exhaust vent.
- Do not cut a joist or stud unless absolutely necessary. If a joist or stud must be cut, then a supporting frame must be constructed.
- Screws are provided to secure the insert to most cabinets. However, a qualified technician must verify suitability of the materials in accordance with the type of wall/ceiling.
- Select a flat surface for assembling the hood insert and place a protective covering over the surface.
  - Use two (2) or more people to lift the hood insert onto the prepared surface.
  - Remove the filters. See the “Cleaning the Filters” section.

## Venting Options



## Determining Insert Height

Insert installation height above the cooktop is the users preference. The lower the hood is above the cooktop, the more efficient the capturing of cooking odors, grease, and smoke.

- For gas cooktop & range installations:  
Mount the hood so the bottom is at least 30” (76.2 cm) above the cooking surface.
- For electric/induction cooktop & range installations:  
Mount the hood so the bottom is at least 24” (61 cm) above the cooking surface.

There is no maximum mounting height, however, we recommend mounting the hood no greater than 36” (91.4 cm) above the cooking surface.

For every inch (2.54 cm) above 36” (91.4 cm), fume and moisture capture efficiency diminishes at an increasing rate and may not deliver an acceptable level of ventilating performance.

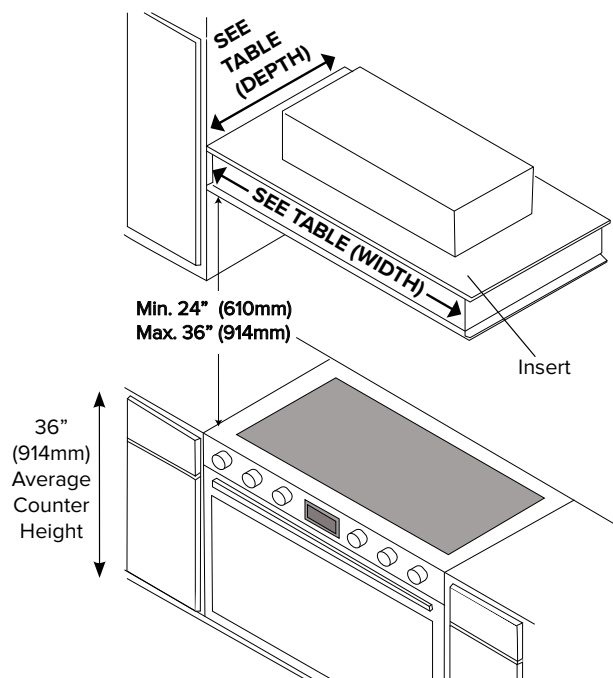
## Clearances

This hood insert has the flexibility to be installed in two different ways, depending on the width measurement or working area between the left and right cabinetry. Before beginning, it is important to determine the dimension of this working area and to consider the measurements detailed in the next table.



### IMPORTANT:

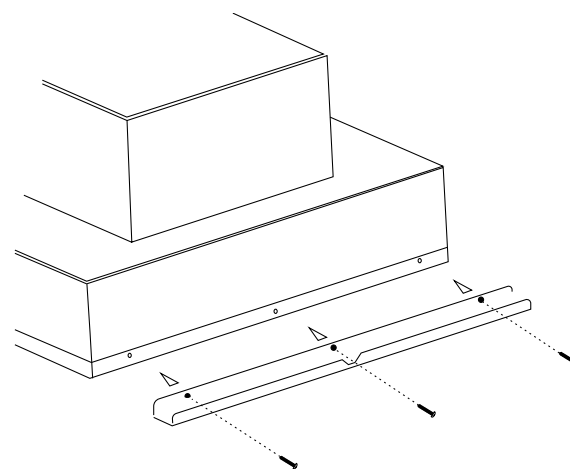
Hood insert cabinet must be capable of supporting 75 lb (34 kg).



MODEL	WIDTH WITHOUT SPACERS	WIDTH WITH SPACERS	DEPTH
ARHI28PAA	28-1/2" (724mm)	30" (762mm)	22" (560mm)
ARHI34PAA	34-1/2" (876mm)	36" (915mm)	22" (560mm)
ARHI40PAA	40-1/2" (1030mm)	42" (1067mm)	22" (560mm)
ARHI46PAA	46-1/2" (1180mm)	48" (1220mm)	22" (560mm)

## Stainless Steel Hood Spacer Installation

- You can elongate 1.5" (3.8 cm) of your range hood width ( $\frac{3}{4}$ " [1.9 cm] per side), installing the stainless steel spacers included with your range hood.
- Unpack the spacers and remove the protective sleeves.
- Put one spacer each, on the right and the left side of the hood insert.
- Fasten the hood spacers to the hood cabinet using four (4) 5 x 45mm screws and tighten securely.
- If cabinetry designs reduce the width opening (i.e. –28.5", 34.5", 40.5" or 46.5") to install the hood, the spacers are not used.
- If you have a full width opening (i.e. – 30", 36", 42" or 48") to install the hood, you should use the spacers.

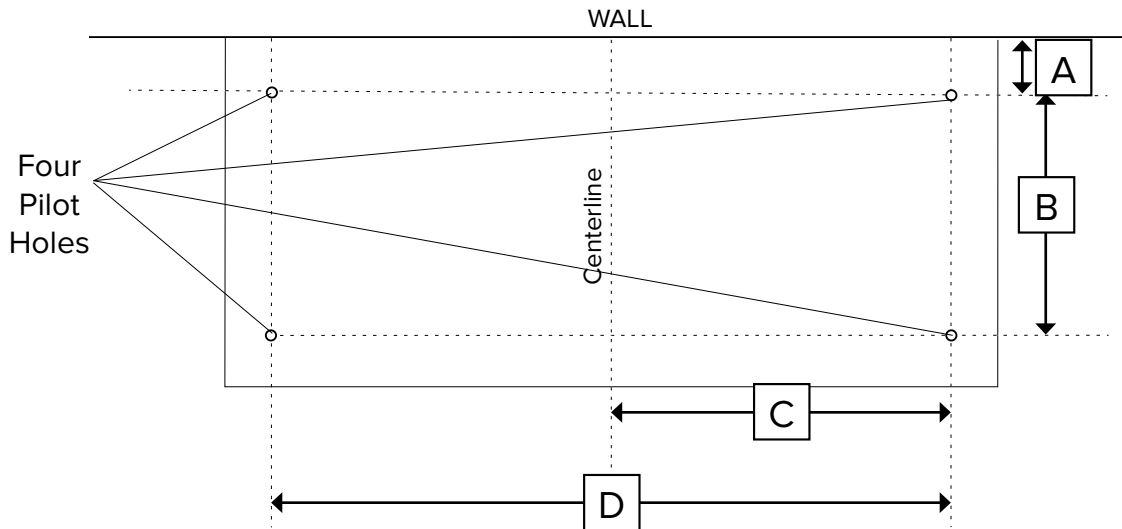


# Installation Steps

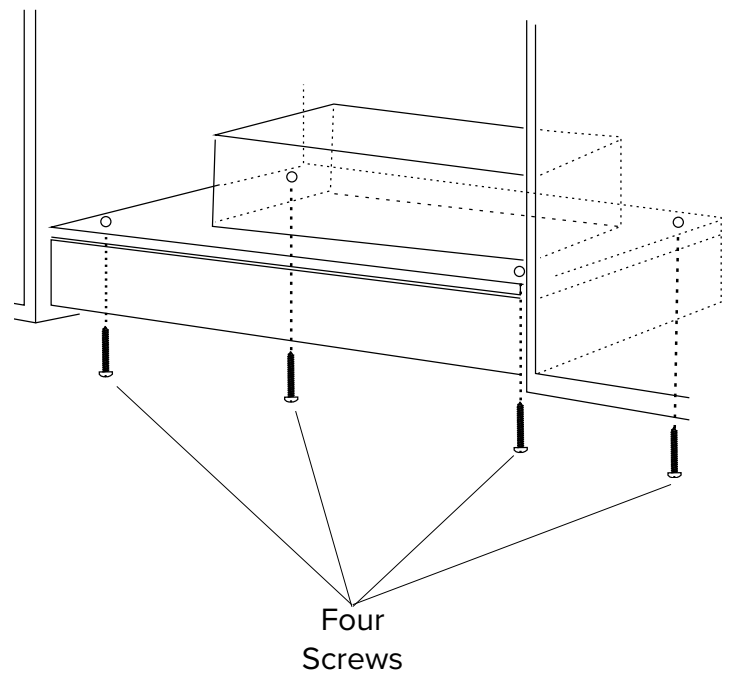
It is recommended to install ductwork before installing the range hood.

## STEP 1. Prepare to Mount the Hood into Cabinet

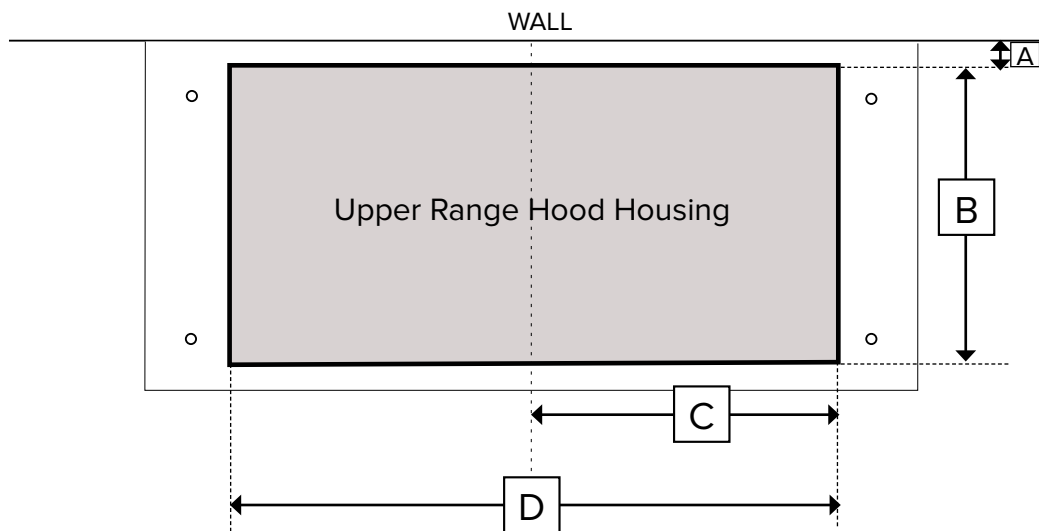
1. Mark the locations for the four (4) mounting screws on the hood cabinet as shown below.
2. Using a 1/8" (3mm) drill bit, drill four (4) pilot holes.



MODEL	A	B	C	D
ARHI28PAA	6" (155mm)	10-1/16" (256mm)	12-5/32" (309mm)	24-5/16" (618mm)
ARHI34PAA	6" (155mm)	10-1/16" (256mm)	14-15/16" (380mm)	29-13/16" (758mm)
ARHI40PAA	6" (155mm)	10-1/16" (256mm)	14-15/16" (380mm)	29-13/16" (758mm)
ARHI46PAA	6" (155mm)	10-1/16" (256mm)	14-15/16" (380mm)	29-13/16" (758mm)



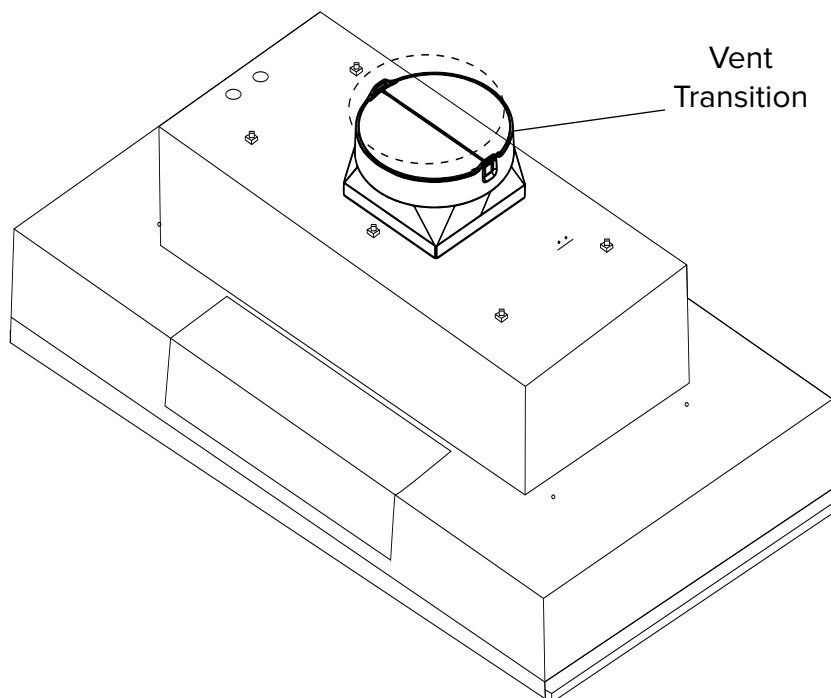
3. Mark the cutout for the rectangular clearance hole for the upper range hood insert motor housing as shown.
4. Using a jigsaw or keyhole saw, cut out the rectangular clearance hole for the upper range hood housing.



MODEL	A	B	C	D
ARHI28PAA	4-1/4" (108mm)	15-5/16" (389mm)	7-5/8" (195mm)	23-7/16" (595mm)
ARHI34PAA	4-1/4" (108mm)	15-5/16" (389mm)	14-1/2" (368mm)	28-15/16" (735mm)
ARHI40PAA	4-1/4" (108mm)	15-5/16" (389mm)	14-1/2" (368mm)	28-15/16" (735mm)
ARHI46PAA	4-1/4" (108mm)	15-5/16" (389mm)	14-1/2" (368mm)	28-15/16" (735mm)

## STEP 2. Install the Vent Transition

Install the 10" (254mm) square x 10" (254mm) round vent transition with damper to the top side of the hood insert, using four (4) - 3.5 x 9.5mm screws.

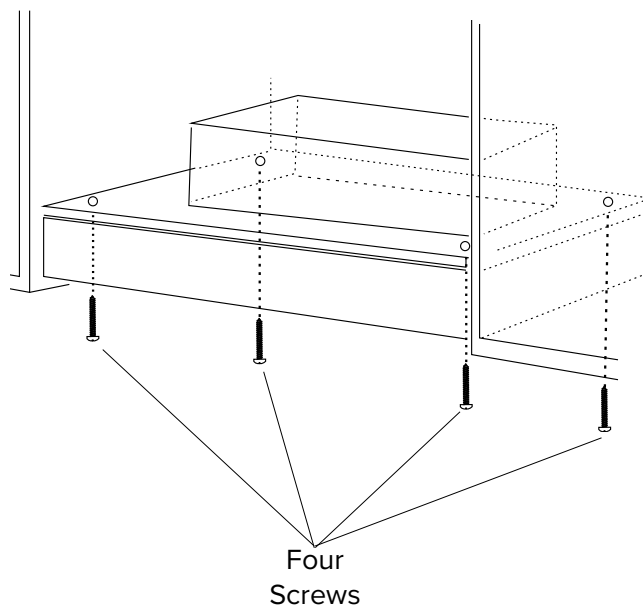


## STEP 3. Prepare to Connect the Electrical Supply

1. Determine the location where the power supply cable will be run through the wall.
2. Drill a 1-1/4" (32mm) hole at this location.
3. Pull enough power supply cable through the wall to allow for easy connection to the terminal box.
4. Remove the terminal box cover and set aside.
5. Remove the knockout from the top of the vent hood and install a UL listed or CSA approved 1/2" (13mm) strain relief.
6. Place the hood insert near its mounting position and run the power supply cable through the strain relief into the terminal box (enough to make connection).
7. Tighten the strain relief screws.

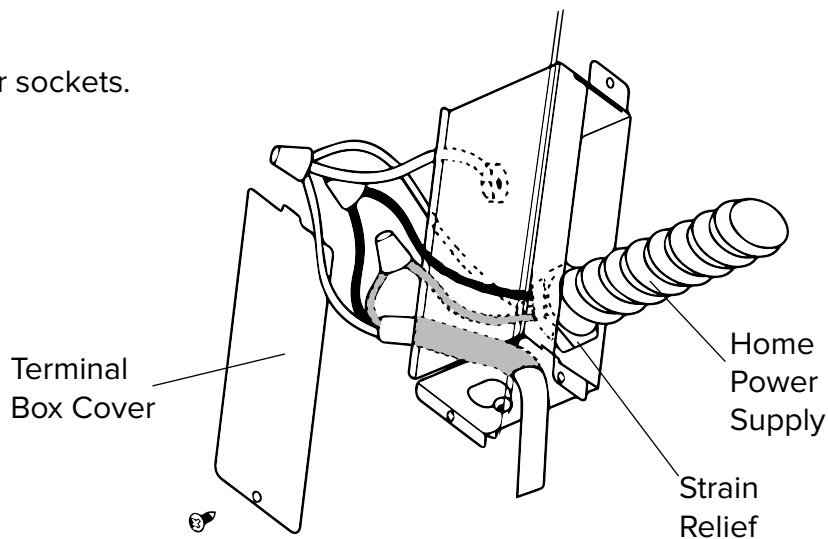
## STEP 4. Install the Hood into the Cabinet

1. Using two (2) or more people, lift the hood insert into the hood cabinet.
2. Fasten the hood insert using four 5 x 45mm screws to the hood cabinet and tighten securely.



## STEP 5. Connect the Electrical Supply

1. Disconnect the power.
2. Locate the terminal box inside of the hood insert.
3. Use UL listed wire connectors and connect the black wires together.
4. Use UL listed wire connectors and connect the white wires together.
5. Connect the green (or bare) ground wire from the home power supply to the green/yellow ground wire in the terminal box using UL listed wire connectors.
6. Install the terminal box cover.
7. Check that all light bulbs are secure in their sockets.
8. Reconnect power.





## STEP 6. Complete Installation

1. Install the grease filters. See the “Cleaning the Filters” section.
2. Check the operation of the hood insert blower and lights. See the “Controls” section.

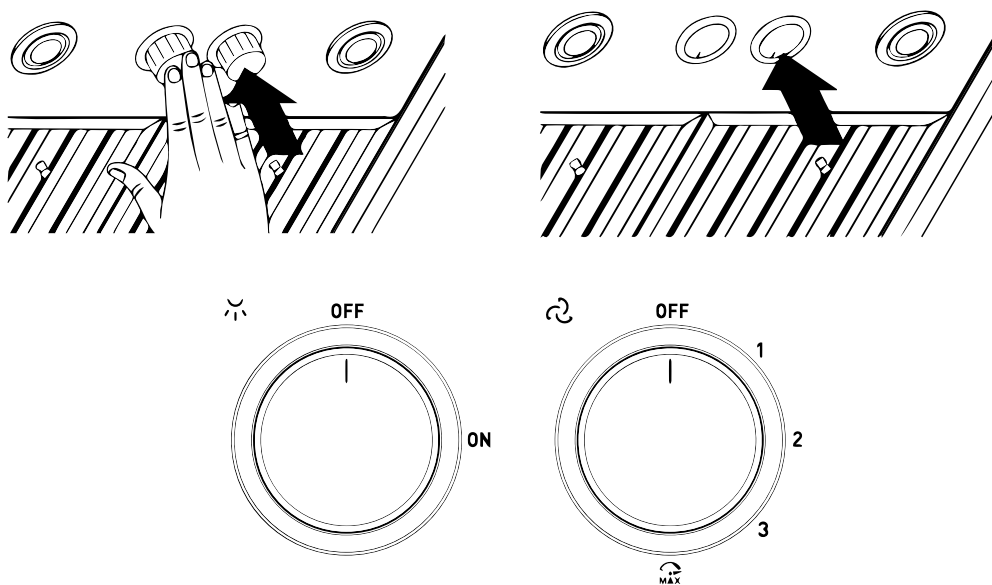
## Operation

The range hood is designed to remove smoke, cooking vapors and odors from the cooktop area. For best results, start the hood before cooking and allow it to operate several minutes after the cooking is complete to clear all smoke and odors from the kitchen.

## Controls

### Recessed Knobs

You can hide the control knobs by depressing them until they are flush with the hood body. Pressing the knobs again will lower the knobs and enable the user to operate the lights and blower.



### Operating the lamps

1. Turn the light switch to the “ON” position to turn the range hood lights On.
2. Turn the light switch to the “OFF” position to turn the range hood lights Off.

### Operating the blower

1. Turn the blower switch to “1” to turn the range hood on.
2. Turn the blower switch to the desired speed position.
3. Turn the blower switch to the “MAX” position to turn the range hood on High.
4. Turn the blower switch to the “OFF” position to turn the range hood blower Off.

### Auto On Blower

The range hood is equipped with a sensor to automatically turn on the blower when excessive heat is detected in the control area. When the blower switch is in the “Off” position, this sensor will turn the blower to high speed when necessary. When the heat decreases, the blower will turn off.

When the blower switch is in the On position, the heat sensor is not active and the range hood functions normally.

## Cleaning & Maintenance

### Cleaning the Stainless Steel Hood

Do not use:

- corrosive or abrasive detergents or harsh chemicals like oven cleaners.
- steel wool or abrasive scrubbing pads.
- any product containing chlorine bleach or chloride.

Clean periodically with warm soapy water and a clean cotton or micro fiber cloth. Rub in the direction of the stainless steel grain. Use a liquid degreaser detergent to remove heavy grease build up.

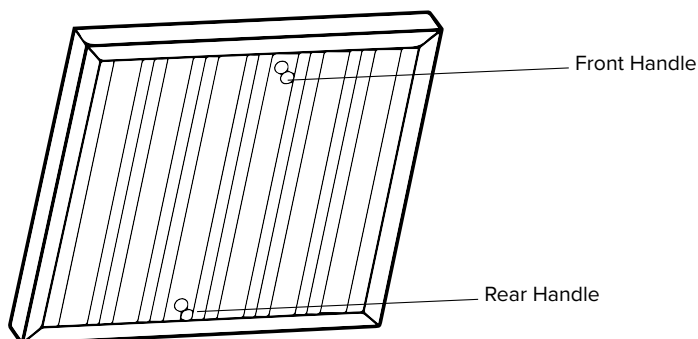
After cleaning, polish and buff out the stainless steel using a stainless steel polish. Remember to rub in the direction of the stainless steel grain. Always wipe dry to avoid water marks.

### Cleaning the Filters

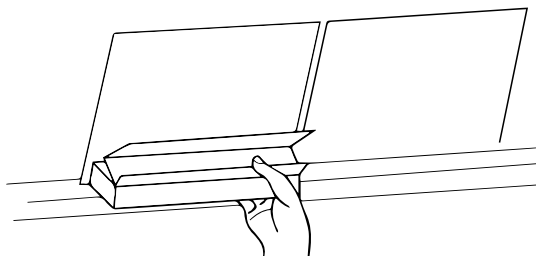
The filters should be cleaned every 30 days, or more often with heavy use.

To remove the filters:

1. Using two hands, grasp the filter handles and pull toward the front.
2. Pull down on the rear handle to remove.



3. Remove grease drip tray.



4. Wash the metal filters and grease trays in the dishwasher at low heat or soak in hot, soapy water.
5. Dry and replace the grease drip tray.
6. Dry and reinstall the filters by first grasping the filter handles and placing the front edge of the filter into the hood.
7. Then push up on the back filter handle and set the rear of the filter into the drip tray to secure.

## Replacing a LED Lamp

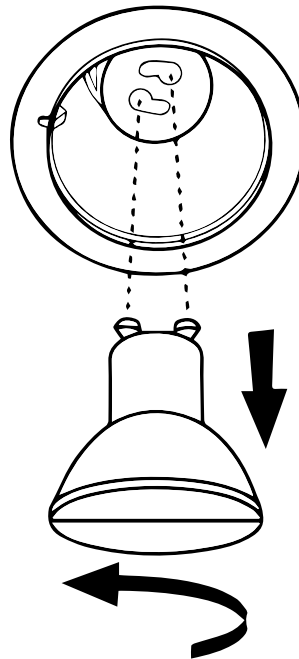
Turn off the range hood and allow the LED lamp to cool.

To avoid damaging or decreasing the life of the new lamp, do not touch the lamp with bare fingers. Replace the lamp using tissue or wearing cotton gloves.

If the new lamps do not work, make sure the lamps are inserted correctly before calling service.

To replace a LED lamp:

1. Disconnect the power.
2. Push up on the lens and turn it counterclockwise.
3. Remove the lamp and replace it with a 120-volt, 7.5 W watt maximum LED lamp with a GU10 base.
4. Turn it clockwise to lock it into place.
5. Reconnect the power.



# Product Warranty

WARRANTY PERIOD:	AVALLON RESPONSIBLE FOR:	CONSUMER RESPONSIBLE FOR:
1st year	All costs for repairing or replacing parts and/or unit which proves to be defective. All transportation costs in the first 90 days.	Consumer will be responsible for: All transportation costs after 90 days.
2nd to 3rd year	Replacement parts (Labor not included.)	Labor and all transportation costs.

This product is warranted by Avallon and is subject to any conditions set forth as follows:

## WHAT IS COVERED:

**One Year Parts and Labor:** For one year from the date of original retail purchase, Avallon will repair or replace any part free of charge including labor that fails due to a defect in materials or workmanship. Avallon will be responsible for all transportation costs for the first 90 days from original purchase date, after 90 days the consumer will be responsible. Labor will be performed free of charge at an authorized Avallon repair facility and will supply new, rebuilt, or refurbished parts free of charge. Avallon may request a defective part be returned in exchange for the replacement part. After the 12 month period, Avallon will no longer be responsible for labor charges incurred or replacement parts. All defective products and parts covered by this warranty will be repaired or replaced on a mail-in basis to an Avallon authorized repair facility.

**All warranties apply to the original purchaser only**, and only covers defects in workmanship experienced during operation of the product under normal service, maintenance, and usage conditions. This warranty applies to the purchase and use of this product in residential settings within the United States of America. All products and parts replaced by Avallon under warranty service become the property of Avallon. All defective products and parts covered by this warranty will be repaired or replaced on a mail-in basis to an Avallon authorized repair facility.

**Exceptions: Commercial or Rental Use Warranty:** 90 days labor and parts from date of original purchase. No other warranty applies.

## WHAT IS NOT COVERED:

Labor charges for installation, setup or training to use the product. Shipping damage, and any damage caused by improper packaging for shipment to an authorized service center, and any damaged caused by improper voltage or any other misuse, including abnormal service, handling, or usage. Cosmetic damage such as scratches and dents. Normal wear and tear on parts or replacement of parts designed to be replaced, e.g. filters, cartridges, batteries. Service trips to deliver, pick-up, or repair, install the product, or to instruct in proper usage of the product. Damages or operating problems resulting from misuse, abuse, operation outside environmental specifications, uses contrary to instructions provided in the owner's manual, accidents, vermin, fire, flood, improper installation, unauthorized service, maintenance negligence, unauthorized installation or modification, or commercial use. Labor, service transportation, and shipping charges for the removal and replacement of defective parts, beyond the initial 12-month period. Products that have been modified to perform outside of specifications without the prior written permission of Avallon. Products lost in shipment, or theft. Products sold AS IS or from an unauthorized reseller. Products that have had their serial numbers removed, defaced, or with serial numbers that have been invalidated. Damage from other than normal household use. Replacement or repair of household fuses, circuit breakers, wiring or plumbing. Damage to personal property from use of product. Damage from service other than from an authorized Avallon repair facility. Hoses, knobs, lint trays and all attachments, accessories and disposable parts. Any service charges not specifically identified as normal such as normal service area or hours. Any special or consequential damages arising out of the use of the product.

## OBTAINING WARRANTY SERVICE:

If you believe your product is defective, contact Avallon Customer Support for troubleshooting assistance and warranty service at [www.avallon.com](http://www.avallon.com) or call 1-866-471-7427. Before contacting Customer Support, you are required to have your model number, serial number and proof of purchase available upon request. Once an Avallon authorized representative has confirmed that your product is defective and eligible for warranty service, the product must be returned to an Avallon authorized repair facility. Avallon is not responsible for damage resulting from shipper mishandling or improper packaging. Do not return a defective product to the place of purchase. Products received without a return authorization number will be refused.

THIS WARRANTY IS IN LIEU OF ANY OTHER WARRANTY, EXPRESS OR IMPLIED, INCLUDING WITHOUT LIMITATION, ANY WARRANTY OF MERCHANTABILITY OR FITNESS FOR A PARTICULAR PURPOSE. TO THE EXTENT ANY IMPLIED WARRANTY IS REQUIRED BY LAW, IT IS LIMITED IN DURATION TO THE EXPRESS WARRANTY PERIOD ABOVE. NEITHER THE MANUFACTURER NOR ITS DISTRIBUTORS SHALL BE LIABLE FOR ANY INCIDENTAL, CONSEQUENTIAL, INDIRECT, SPECIAL, OR PUNITIVE DAMAGES OF ANY NATURE, INCLUDING WITHOUT LIMITATION, LOST REVENUES OR PROFITS, OR ANY OTHER DAMAGE WHETHER BASED IN CONTRACT, TORT, OR OTHERWISE. IN NO EVENT AND UNDER NO CIRCUMSTANCE OF ANY TYPE OR KIND SHALL THE SELLER, MANUFACTURER AND/OR DISTRIBUTOR BE LIABLE FOR ANY REASON, UNDER ANY THEORY, FOR MORE THAN THE BASIC COST OF THE PRODUCT TO THE PURCHASER OR END USER. SOME STATES DO NOT ALLOW THE EXCLUSION OF INCIDENTAL OR CONSEQUENTIAL DAMAGES, SO THE ABOVE EXCLUSION MAY NOT APPLY TO YOU. THIS WARRANTY GIVES YOU SPECIFIC LEGAL RIGHTS. YOU MAY HAVE OTHER RIGHTS THAT VARY FROM STATE TO STATE.





