

15-Inch Gourmet Ice Maker with Drain Pump, Panel-Ready Door

Features

- Total daily ice production capacity: 56 lbs (50/70)
- Accepts 3/4" custom overlay panel to integrate into existing cabinetry (not included)
- Clear, gourmet-style ice cubes, perfect for a variety of beverages
- 26 lbs bin storage capacity
- Wash mode for easy maintenance
- Ice scoop and 5/8" I.D. drain hose included
- ETL listed to the NSF-12 sanitation standard
- Drain pump included

Please note: Panel-ready appliances are designed to utilize custom panels to match your cabinetry. The panel-ready finish option does not include the pictured wood paneling.



Warranty

- One (1) year parts and labor
- Five (5) years sealed system parts
- See complete warranty for details


Model Details

Model	Voltage	Door Swing	Finish
AIMG151PPRILH	115V	Left Hinge	Panel-Ready Door
AIMG151PPRIRH	115V	Right Hinge	Panel-Ready Door

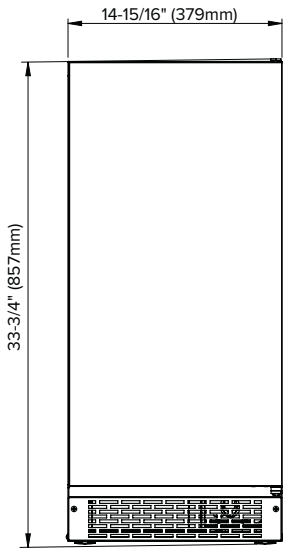
Accessories

Model	Description	Finish
HDLPRO	PRO Style Handle for Undercounter Models	Stainless Steel

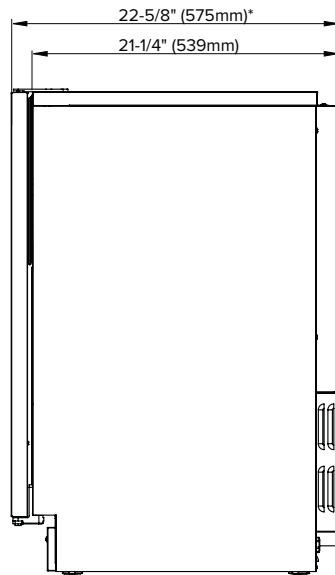
Ice Cube Details

Cube Type	Ice Cube Dimensions	Ice Shape
Gourmet	1-1/4" W x 1-3/8" L x 1-3/8" H	

Front



Side



Please note: The depth does not include the depth of the custom panel.

Installation Notes

- Dimensions in parentheses are in millimeters
- Note: It is strongly advised to always use a water filter with your ice maker

Specifications

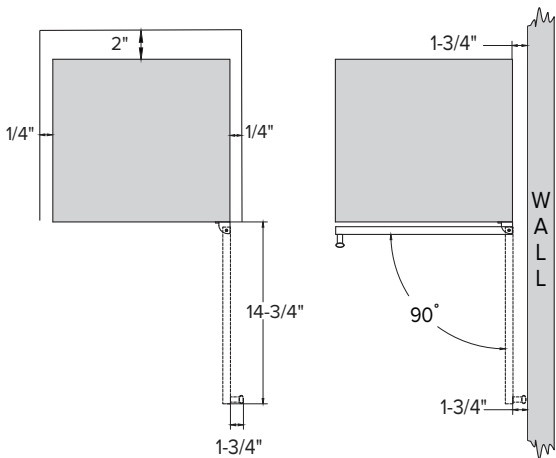
Model#	AIMG151PPRI
Daily Production Capacity (lbs/24hr)	56*
Storage Capacity (lbs)	26
Cube Type	Gourmet
Product Depth	22-5/8"
Product Height	33-3/4"
Product Width	14-15/16"
Net Weight (lbs)	104
Water Inlet Size	1/4"
Drain Inlet Size	5/8"
Refrigerant	R134a
Cord Length (in.)	92
Amperage	4
Electric Supply	115V, 60 Hz

*50° water/70° air temp under electric supply
(70° water/90° air temp = 46 lbs/day ice production)

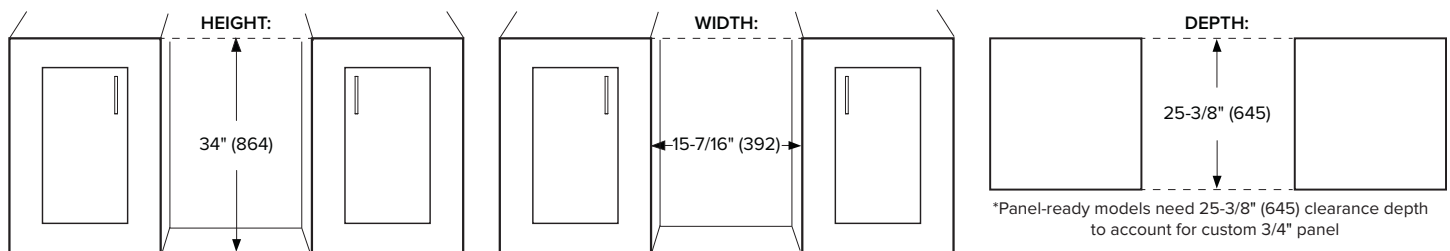


NEMA 5-15P

Top



Cutout Dimensions



Specifications are subject to change without notice.
Visit Avallon.com for the latest information.