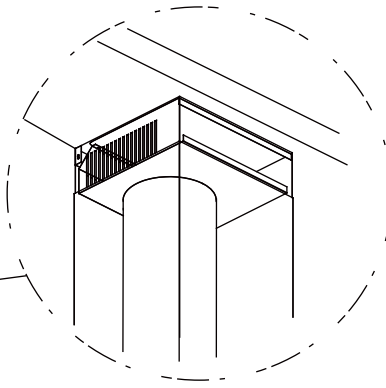
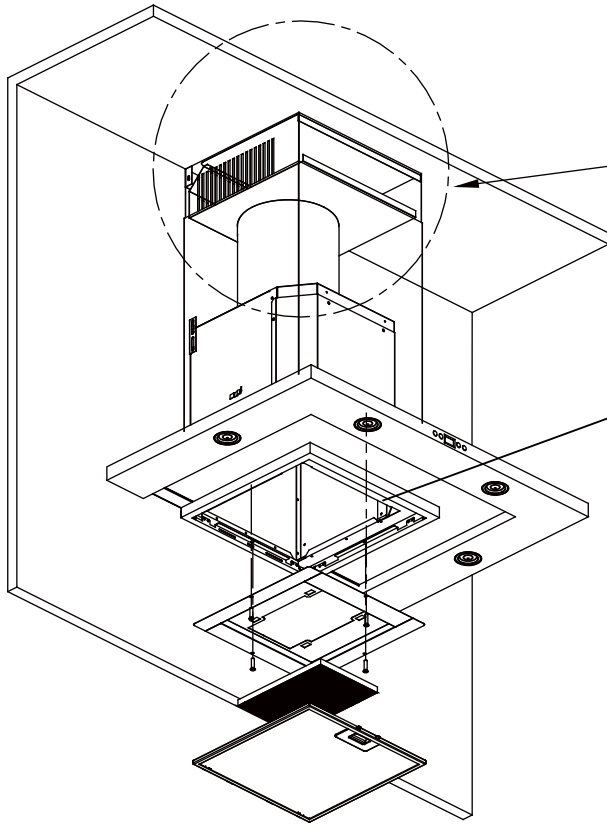


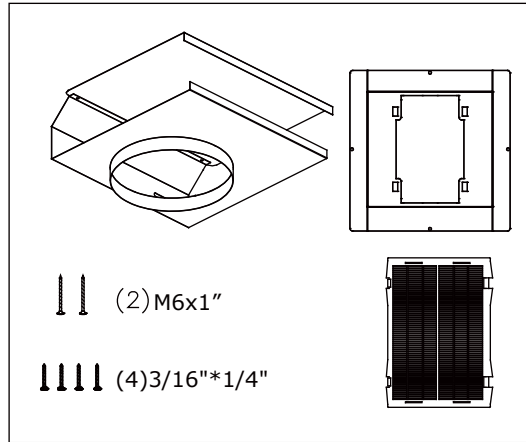
## ZRC-00MO

For use with models : ZMO-E30AS, ZMO-M90AS

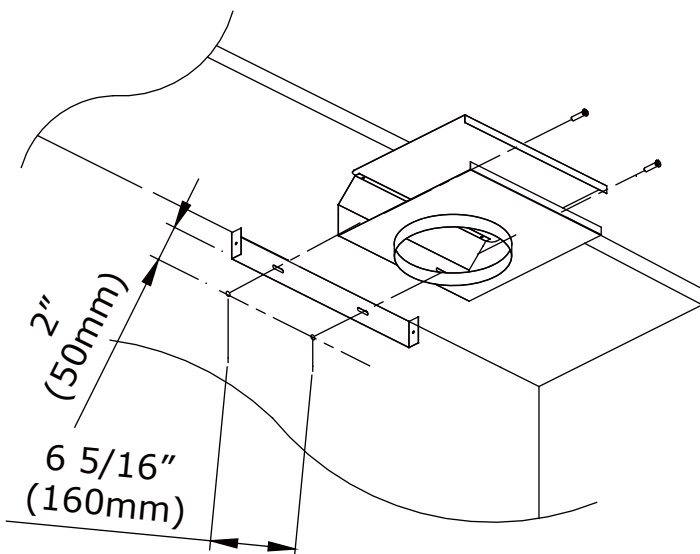


Remove all black foam from filter opening before installing the charcoal filter brackets.

### INCLUDED MATERIAL



1



2

