

PRESRV™

BEVERAGE
COOLER

SINGLE ZONE



Always have drinks on hand for guests — or just the family — with our Presrv™ 15" Beverage Cooler. Features such as a Full-Extension Wood Rack to hold your favorite wine and craft brew, PreciseTemp™ temperature control for maintaining accurate

temperatures and Active Cooling Technology to ensure even cooling all add up to the beverage cooler of your dreams. New enhancements include mood-setting LED light strips in three colors and four light levels and an updated kickplate with lock.

ZEPHYR

ZEPHYRONLINE.COM



Full-Extension Wood Rack



Optional Pro Handle

How Presrv™ Stands Out:



PreciseTemp™
Multiple internal sensors help maintain accurate temperatures and increase overall performance



Vibration Dampening System
Enhanced technology ensures noise and vibration is reduced to minimize wine disturbance



Active Cooling Technology
An on-board computer controls an active cooling fan to provide temperature stability and even cooling



3-Color LED Lighting
Available in Cloud White, Deep Blue and Amber

MODEL

Single Zone Beverage Cooler PRB15C01CG

Size 15"
Dimensions 15"W x 33-7/8"H x 23-3/8"D
Weight 88lbs.
Installation Type Compact / Built-in / Freestanding
Refrigerant Type R600a

FEATURES

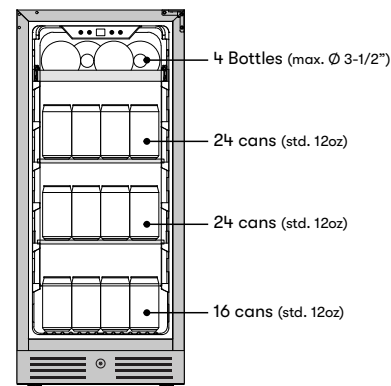
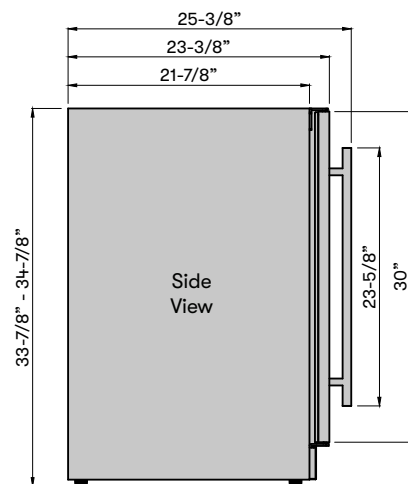
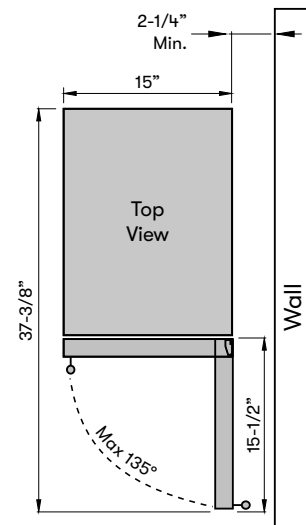
Capacity 4 bottles (750 ml), 64 12oz cans
Volume 3.4 cu/ft
Temperature Range 34° - 50° F
Sound Level 39 dBA
Door Finish 304-grade Stainless + Glass
Cabinet Finish Black
Interior Finish Black
Field-Reversible Door Yes
Zero-Clearance Door Hinges Yes, concealed
Door Glass Dual-pane, Low-e Argon-filled*
Shelving - Wood 1 full-extension, black wood rack w/ stainless trim
Shelving - Beverage 2 adjustable, transparent-gray glass shelves w/ airflow openings
Controls 3-Color Electronic Touch
Lighting 3-Color LED Light Strips
 Cloud White, Deep Blue, Amber
Four Light Levels Yes
Door Open Alarm Yes, after 3 minutes
Door Lock Yes
Sabbath Mode Yes
ENERGY STAR® Certified Yes
Air Filtration Yes, w/ carbon filter
PreciseTemp™ Yes
Active Cooling Technology Yes
Vibration Dampening System Yes

AC POWER 115V, 60Hz at Max. 1.5A

OPTIONAL ACCESSORIES

Contemporary Handle Kit PRHAN-C102 (Brushed Gold)
Contemporary Handle Kit PRHAN-C104 (Matte Black)
Pro Handle Kit PRHAN-C001 (Stainless Steel)

WARRANTY 2 years parts, 2 years labor
 5 years compressor



*Dual-pane, argon-filled glass improves insulation to minimize heat exchange and increases soundproofing characteristics. The Low-e coating helps minimize the amount of UV and infrared light that passes through the glass door.

Transforming the Kitchen through Design, Discovery, and Care

Specifications subject to change, check zephyronline.com for up-to-date information.
 Zephyr | 2277 Harbor Bay Parkway, Alameda, CA 94502 | 888.880.8368

MAR24.0101

